

**NOTES:**

**1. MATERIAL:**

HOUSING: LCP GLASS FILLED UL 94-V0, COLOUR BLACK,  
 TERMINAL: COPPER ALLOY PLATED WITH:  
 BASE FINISH: NICKEL  
 CONTACT SURFACE FINISH:  
 GOLD,  
 OR  
 GOLD FLASH OVER PALLADIUM NICKEL.  
 EXCEEDS PRODUCT REQUIREMENTS BASED ON PS-85513-002

**2. JACK FOR MATING WITH IEC 60603-7 AND TIA-1096-A PLUGS (MOLEX 90075 SERIES).**

**3. PRODUCT SPECIFICATION: PS-85513-002.**

**4. PACKAGING SPECIFICATION (SEE CHART SHEET2):**

PK-85513-001 SHEET 3 (BLISTER ON REEL 13")

PK-85133-001 SHEET 1 (BLISTER ON REEL 15")

PK-85513-001 SHEET 2 (BLISTER ON REEL 22")

**5. FLAT SURFACE ON BOTH SIDES FOR PICK AND PLACE PURPOSE**

**6. COPLANARITY OF LEADS AND TABS: 0.10 MAX**

**7. SEE RECOMMENDED PCB LAYOUT ON SHEET 2**

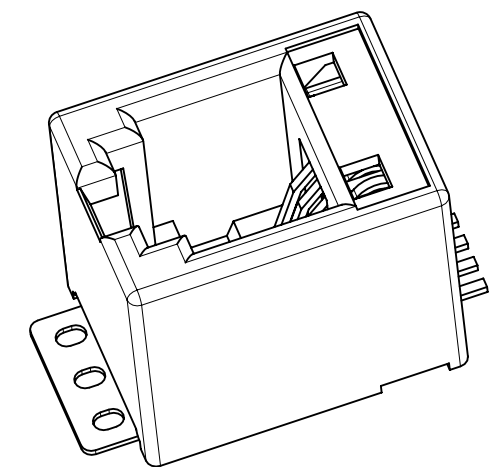
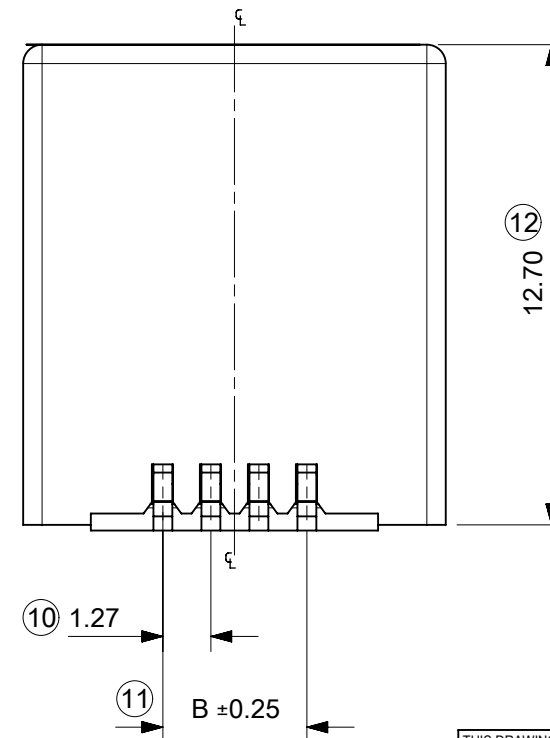
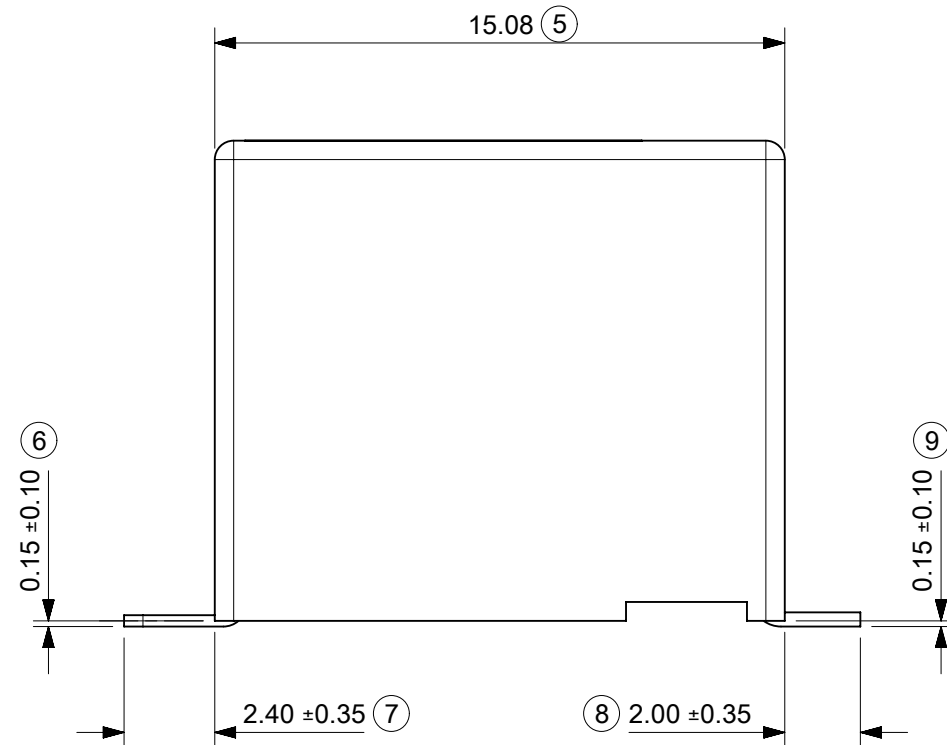
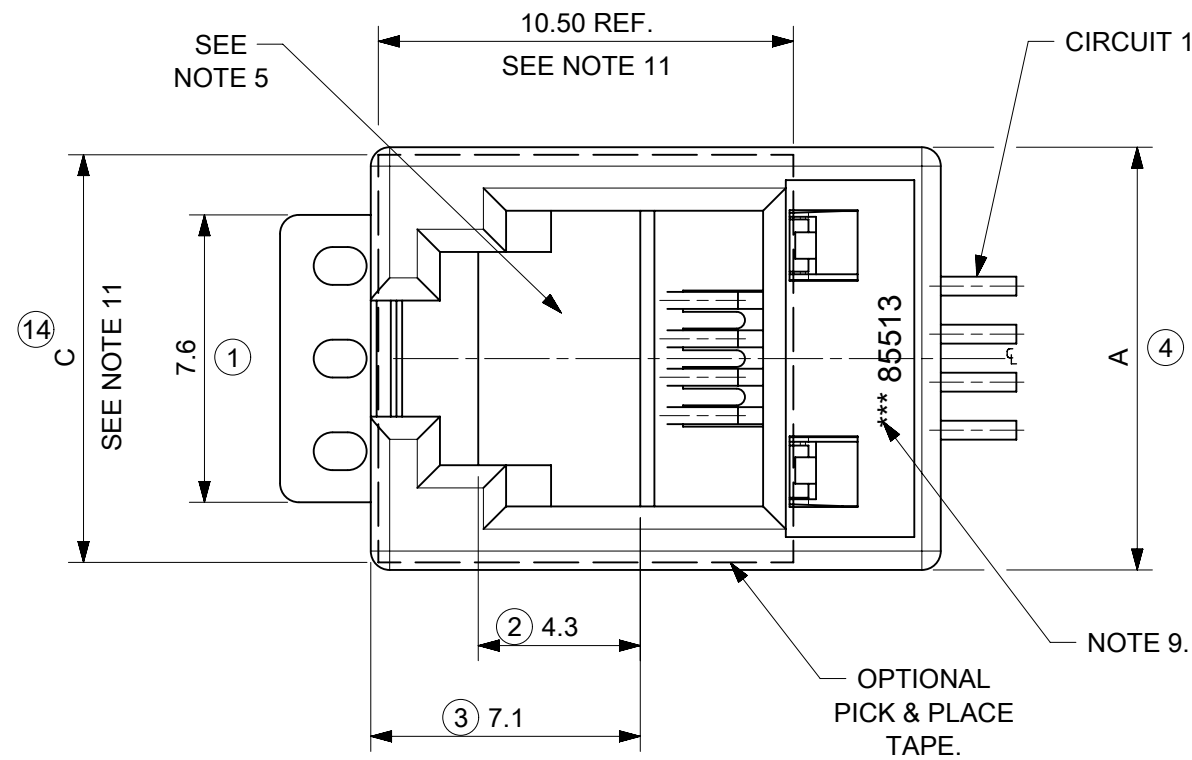
**8. FOR DRAWING PURPOSE, ONLY 4/4 VERSION SHOWN.**

**9. MANUFACTURING I.D CAN BE EITHER MXF, MG, MXI OR MXCH.**

**10. APPLICATION SPEC AS-85513-001**

**11. OPTIONAL PICK & PLACE TAPE**

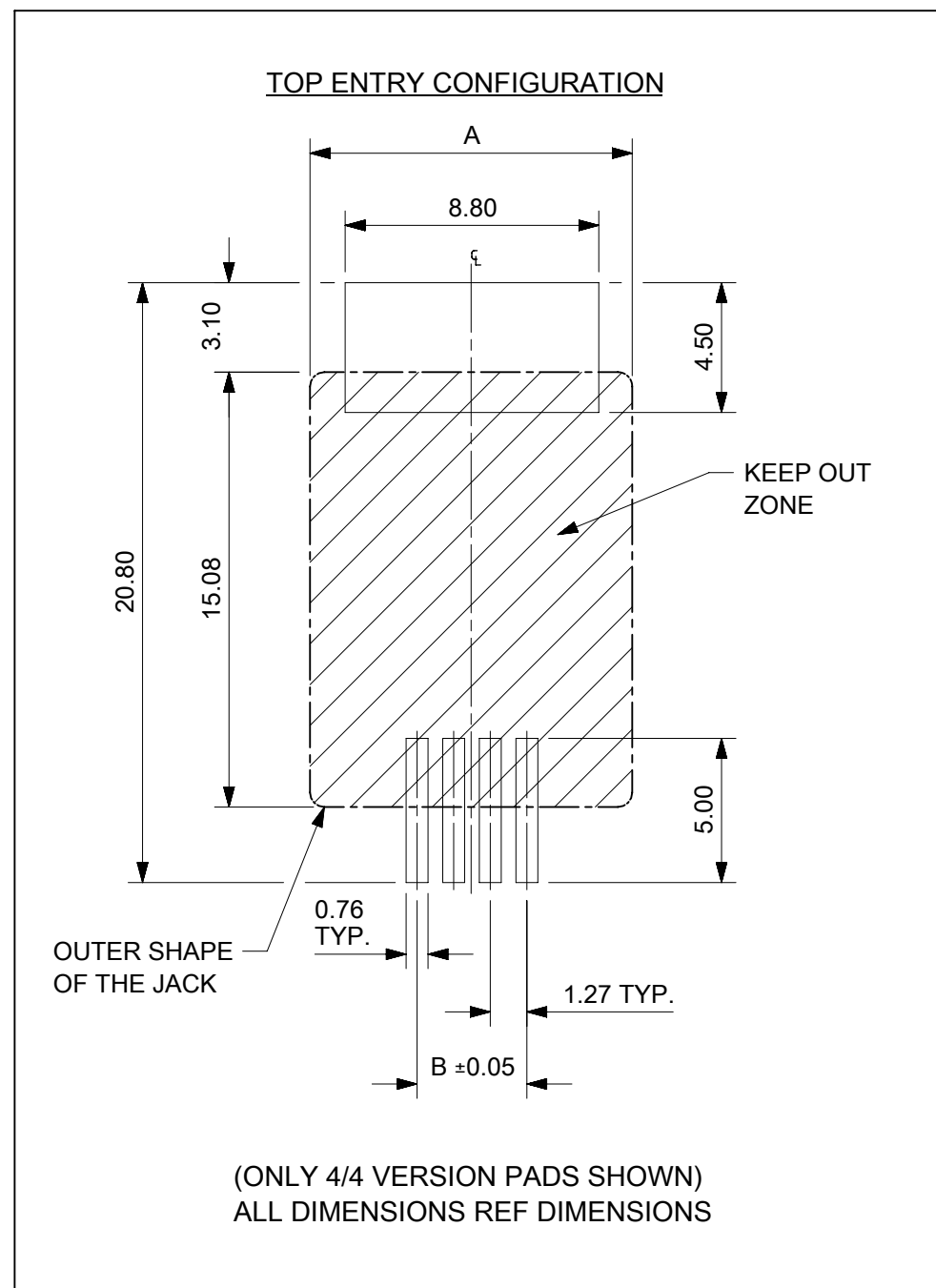
LAST INSPECTION NO.: 14



ISOMETRIC VIEW  
(NOT SCALED)

THIS DRAWING CONTAINS INFORMATION THAT IS PROPRIETARY TO MOLEX ELECTRONIC TECHNOLOGIES, LLC AND SHOULD NOT BE USED WITHOUT WRITTEN PERMISSION									
DIMENSION UNITS	SCALE	CURRENT REV DESC: REMASTERED USING 3D MODELS							
mm	5:1								
GENERAL TOLERANCES (UNLESS SPECIFIED)									
ANGULAR TOL	± 2.0 °	EC NO: 686842 DRWN: AKUMAR19 2021/08/11 CHK'D: KLANG 2022/01/17 APPR: KLANG 2022/01/17							
4 PLACES	±	INITIAL REVISION: DRWN: DBYRNES 2006/08/21 APPR: EOMAHONY 2006/09/07							
3 PLACES	±	DOCUMENT NUMBER: SD-85513-010 DOC TYPE: PSD DOC PART: 001 REVISION: H3							
2 PLACES	± 0.15	MATERIAL NUMBER: SEE CHART CUSTOMER: GENERAL MARKET							
1 PLACE	± 0.25	SHEET NUMBER: 1 OF 2							
0 PLACES	±	DRAFT WHERE APPLICABLE MUST REMAIN WITHIN DIMENSIONS							
THIRD ANGLE PROJECTION		DRAWING	SERIES	MATERIAL NUMBER	CUSTOMER		SHEET NUMBER		
		A3-SIZE	85513	SEE CHART	GENERAL MARKET		1 OF 2		

RECOMMENDED PCB LAYOUTS  
(SEE FROM COMPONENT SIDE)



PART NO.	PICK & PLACE TAPE	HOUSING SIZE	LOADED CKTS	TOOLED	A	B	C	PACKAGING	PACKAGING SPEC.
85513-5013	NO	8	8	YES	15.24	8.89	14.40 +2 -4	BLISTER ON REEL 13"	PK-85513-001 SHEET 3
85513-5113	YES			YES				BLISTER ON REEL 15"	PK-85513-001 SHEET 1
85513-5001	NO			YES				BLISTER ON REEL 22"	PK-85513-001 SHEET 2
85513-5009	NO	6	6	YES	13.21	6.35	12.40 +2 -4	BLISTER ON REEL 13"	PK-85513-001 SHEET 3
85513-5109	YES			YES				BLISTER ON REEL 15"	PK-85513-001 SHEET 1
85513-5014	NO			YES				BLISTER ON REEL 22"	PK-85513-001 SHEET 2
85513-5114	YES	6	6	YES	13.21	6.35	12.40 +2 -4	BLISTER ON REEL 13"	PK-85513-001 SHEET 3
85513-5002	NO			YES				BLISTER ON REEL 15"	PK-85513-001 SHEET 1
85513-5010	NO			YES				BLISTER ON REEL 22"	PK-85513-001 SHEET 2
85513-5015	NO	6	4	YES	13.21	3.81	12.40 +2 -4	BLISTER ON REEL 13"	PK-85513-001 SHEET 3
85513-5115	YES			YES				BLISTER ON REEL 13"	PK-85513-001 SHEET 3
85513-5016	NO			YES				BLISTER ON REEL 13"	PK-85513-001 SHEET 3
85513-5116	YES	4	4	YES	11.18	3.81	10.40 +4 -2	BLISTER ON REEL 13"	PK-85513-001 SHEET 3
85513-5004	NO			YES				BLISTER ON REEL 15"	PK-85513-001 SHEET 1
85513-5012	NO			YES				BLISTER ON REEL 22"	PK-85513-001 SHEET 2

THIS DRAWING CONTAINS INFORMATION THAT IS PROPRIETARY TO MOLEX ELECTRONIC TECHNOLOGIES, LLC AND SHOULD NOT BE USED WITHOUT WRITTEN PERMISSION									
DIMENSION UNITS	SCALE	CURRENT REV DESC: REMASTERED USING 3D MODELS							
mm	1:1	 LOW PROFILE TOP ENTRY TRUE SMT JACK WITH P&P SURFACE(SHORT VERSION)							
GENERAL TOLERANCES (UNLESS SPECIFIED)									
ANGULAR TOL	± 2.0°	PRODUCT CUSTOMER DRAWING							
4 PLACES	±	EC NO: 686842	2021/08/11		DOCUMENT NUMBER: <b>SD-85513-010</b> DOC TYPE: PSD DOC PART: 001 REVISION: H3				
3 PLACES	±	DRWN: AKUMAR19	2022/01/17						
2 PLACES	± 0.15	CHK'D: KLANG	2022/01/17		INITIAL REVISION: DRWN: DBYRNES APPR: EOMAHONY 2006/08/21 2006/09/07				
1 PLACE	± 0.25	APPR: KLANG	2022/01/17						
0 PLACES	±	THIRD ANGLE PROJECTION		DRAWING	SERIES	MATERIAL NUMBER	CUSTOMER	SHEET NUMBER	
DRAFT WHERE APPLICABLE MUST REMAIN WITHIN DIMENSIONS				A3-SIZE	85513	SEE CHART	GENERAL MARKET	2 OF 2	