



11000 MHz Cavity Low Pass Filter

Part Number: AE11000L9281



Electrical Specifications

Insertion Loss: 1.0 dB Max DC-10000 MHz

Ripple: ± 0.2 9400-10000 MHz over any 10 MHz segment.

VSWR (Input & Output): 1.70:1 Max

Stop Band Rejection: 55 dB Min. @ 12700-17500 MHz

Phase: $\pm 1^\circ$ 9400-10000 MHz over any 10 MHz segment.

Mechanical

Connector Type: SMA (F)

Dimensions: 1.00 x 0.70 x 0.50 Inches

Environmental

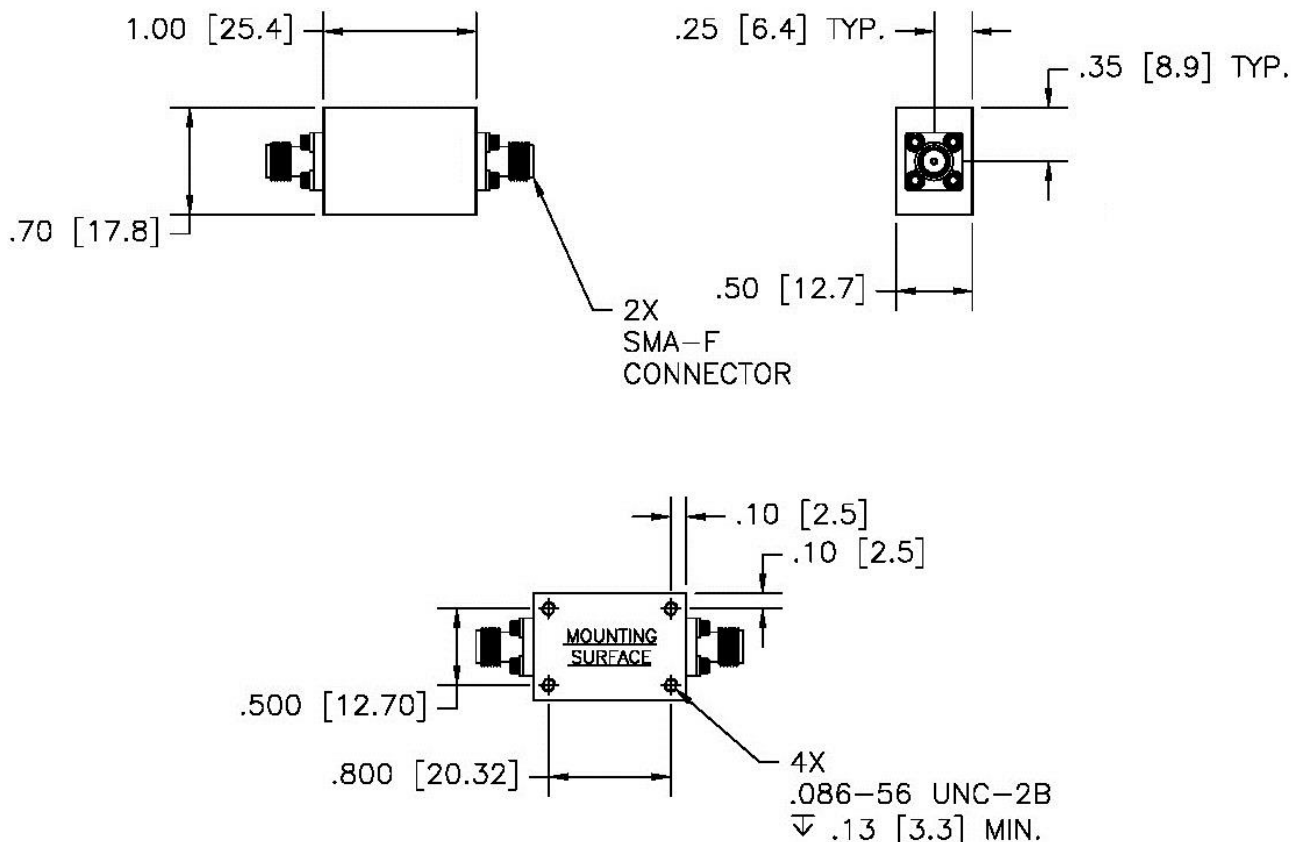
Operating Temperature: -20 to +75° C

Storage Temperature: -45 to +85° C

Shock: 20 G. 11ms

Vibration: 20 G. 5 to 200Hz

Outline Drawing:



Tolerance: +/-0.01 inches [+/- 0.3mm]

Angles: +/- 1 Deg.

*Tolerance as shown unless otherwise specified in the datasheet electrical specification tables above.

*When max dimensions are called out the above tolerances do not apply as long as it is under the max call out.



11000 MHz Cavity Low Pass Filter

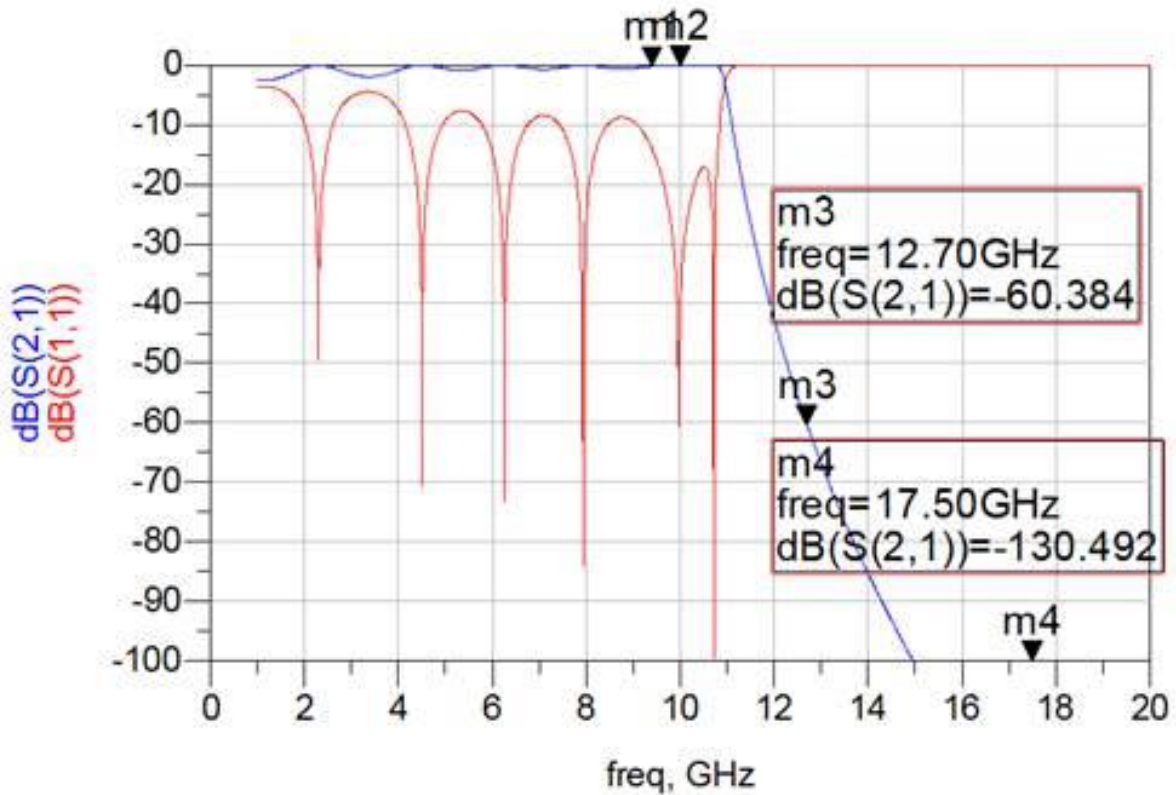
Part Number: AE11000L9281



Response Plot:

m1
freq=9.400GHz
dB(S(2,1))=-0.173

m2
freq=10.00GHz
dB(S(2,1))=-3.682E-4



Note: This is a simulation plot. Actual results may defer once the product is implemented.