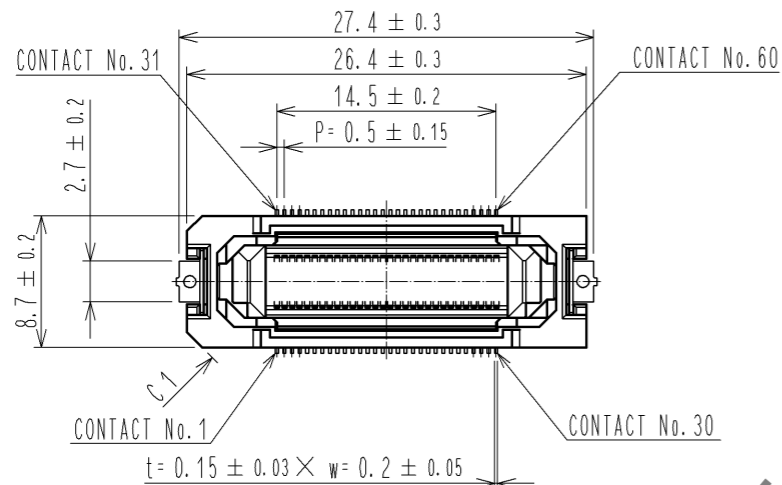
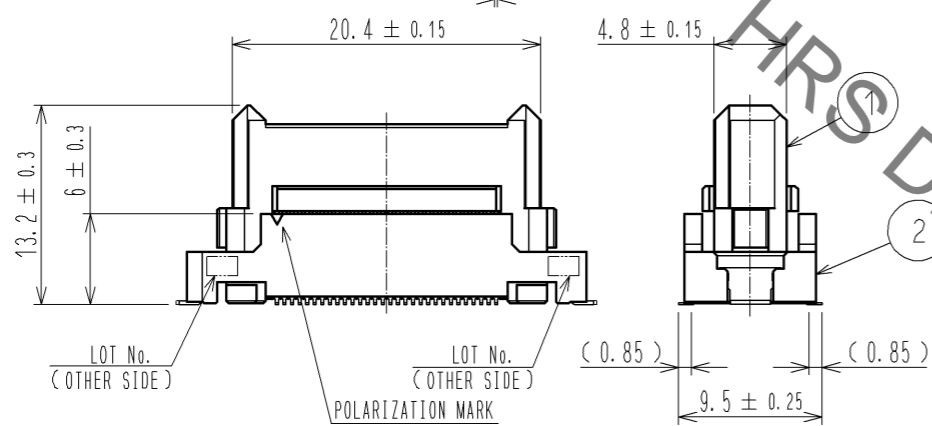
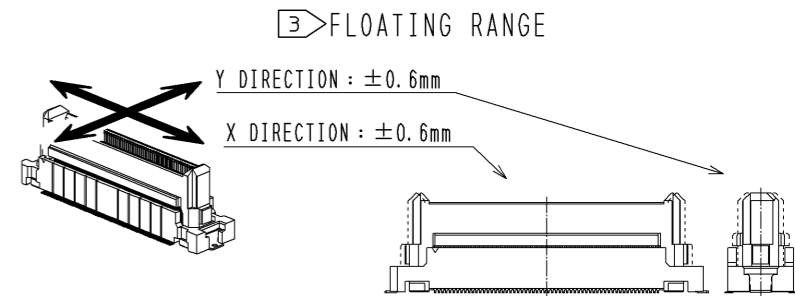
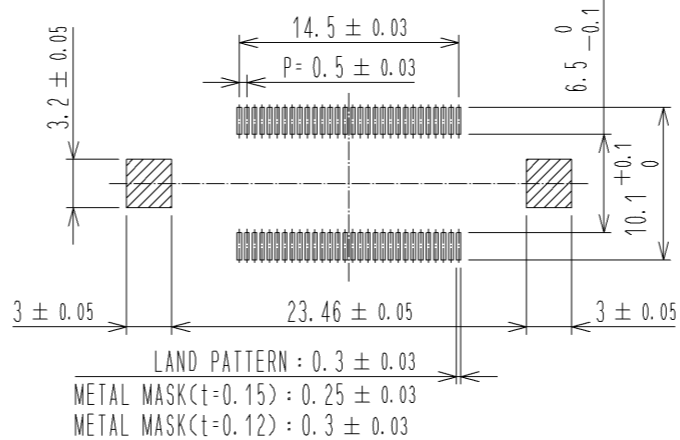


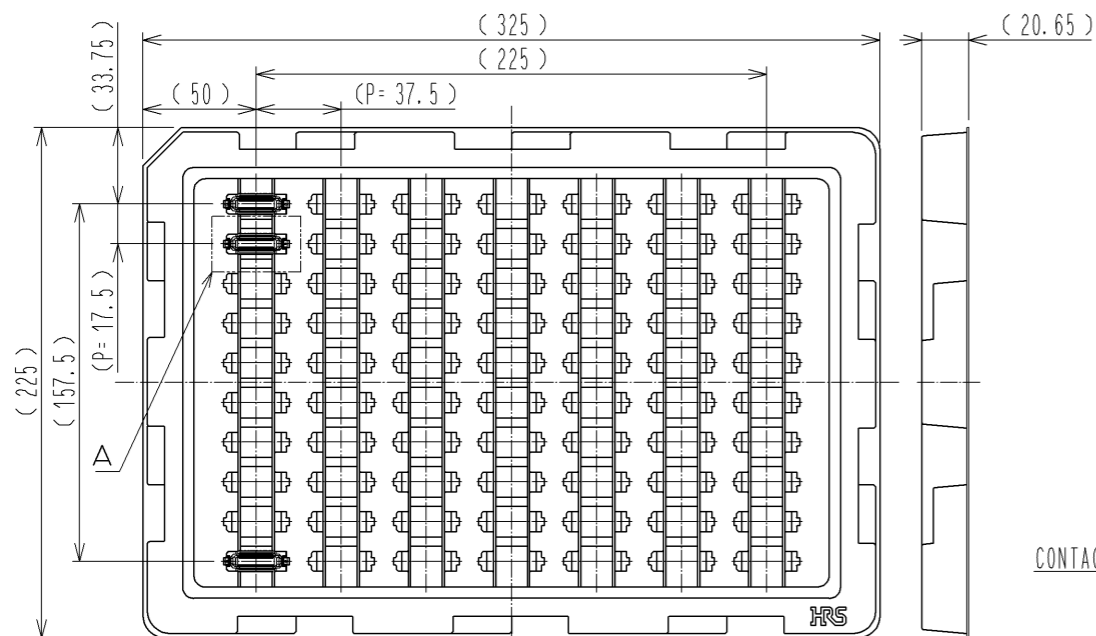
May.1.2023 Copyright 2023 HIROSE ELECTRIC CO., LTD. All Rights Reserved.
 In case of consideration for using Automotive equipment / device which demand high reliability, kindly contact our sales window correspondents.



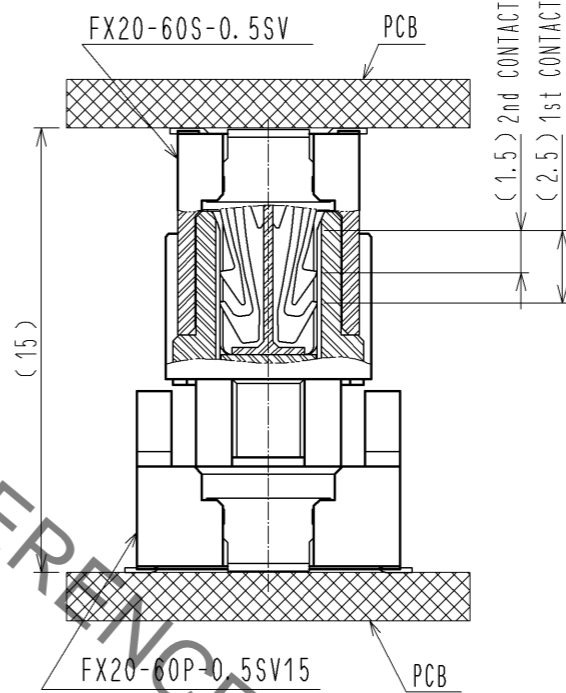
RECOMMENDED LAND PATTERN DIMENSION OF PCB



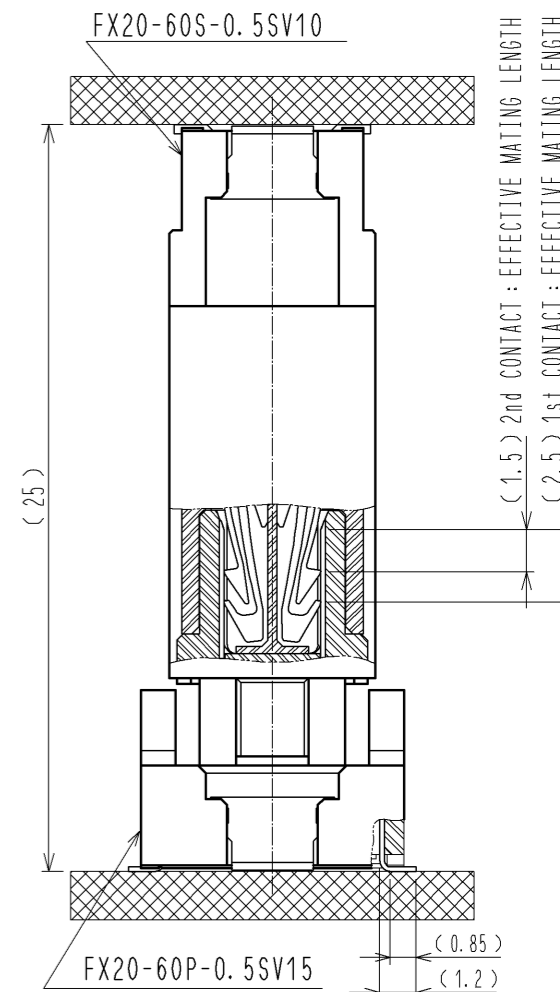
2 DRAWING FOR PACKING(FREE)



CROSS SECTION OF MATING(FREE)

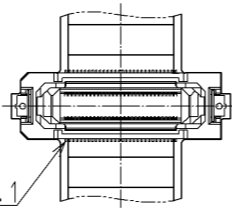


CROSS SECTION OF MATING(FREE)



- NOTE 1 LEAD CO-PLANARITY IS 0.1mm MAX.
 2 THIS IS PACKAGED IN TRAY. (70pcs/TRAY)
 3 FLOATING RANGE OF THIS CONNECTOR IS ±0.6mm MAX.
 4 BLEMISH AND HIT MARK CAN BE OCCURED THROUGH OUT THE MANUFACTURING PROCESS WHICH DOESN' T AFFECT QUALITY LEVEL.
 5 PLEASE NOTE THAT EXCESSIVE WRENCHING FORCE COULD DAMAGE THIS CONNECTOR. PLEASE REFER TO THE GUIDELINE FOR DETAILED REGULATIONS OF THE MATING METHOD.
 6 THE DIMENSIONS IN PARENTHESES ARE FOR REFERENCES.

A (1 : 1)



2	POLYAMIDE	BLACK	UL94V-0	4	BRASS	TIN-PLATING 1 μm		
1	POLYAMIDE	BLACK	UL94V-0	3	COPPER ALLOY	CONTACT AREA:GOLD 0.1 μm LEAD AREA:GOLD 0.03 μm UNDER PLATING:NICKEL 1 μm		
NO.	MATERIAL	FINISH	REMARKS	NO.	MATERIAL	FINISH . REMARKS		
UNITS mm		SCALE 2 : 1	COUNT 	DESCRIPTION OF REVISIONS		DESIGNED	CHECKED	DATE
HRS HIROSE ELECTRIC CO., LTD.			APPROVED : HS. OKAWA	12.03.06	DRAWING NO.		EDC3-336320-00	
			CHECKED : KI. HIROKAWA	12.03.06	PART NO.		FX20-60P-0.5SV15	
			DESIGNED : KT. DOI	12.03.02	CODE NO.		CL570-1002-3-00	
			DRAWN : KT. DOI	12.03.02				