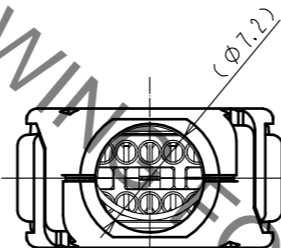
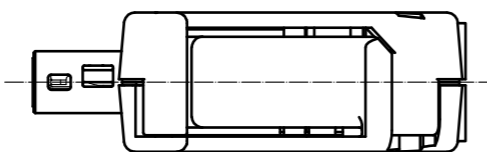
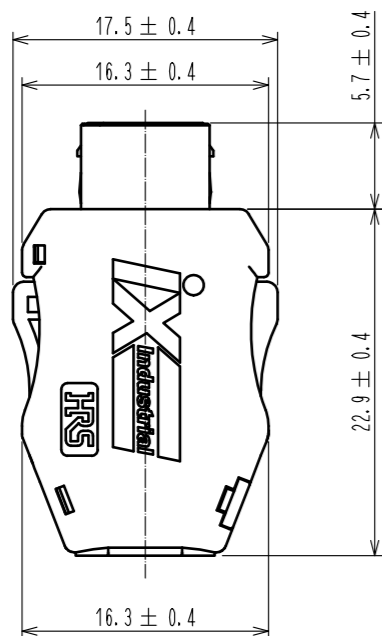
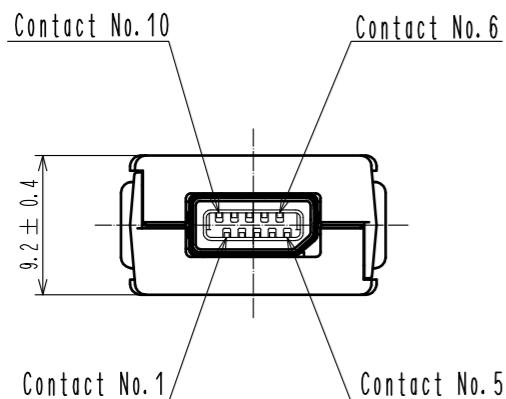
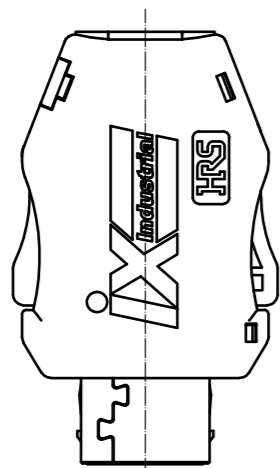


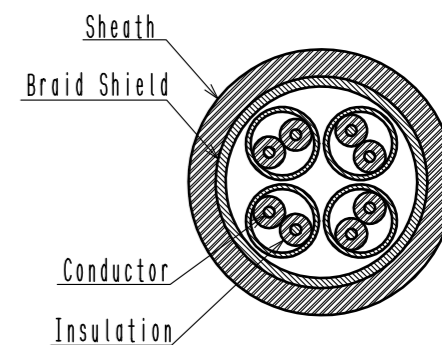
May.1.2023 Copyright 2023 HIROSE ELECTRIC CO., LTD. All Rights Reserved.  
In case of consideration for using Automotive equipment / device which demand high reliability, kindly contact our sales window correspondents.



Notes. 1. Recommended cable condition is shown below.  
 ⚠ A list of compatible cables is available on the Hirose website.  
 When using a non-recommended cable, please contact a Hirose sales representative.  
 Refer to the technical specification (ETAD-E3162) for wiring and assembly procedures.

⚠ Recommended Cable

Items		Recommended Condition
Conductor	Size	AWG#24 to 25
	Composition	7 stranded
	Material	Annealed copper wire
Insulation O. D.		φ1.1 to 1.25mm
Braid Shield		Tin plating
Sheath O. D.		φ6.3 to 7.2mm

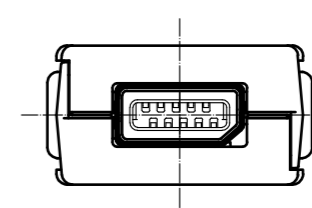
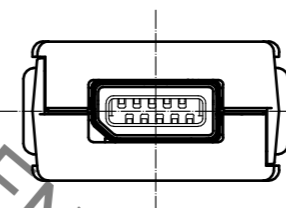


2. This product (Type B) is used for non Ethernet applications like signaling, serial or other industrial bus communication systems. Please use Type A for 10/100 Mbit/s and 1/10 Gbit/s Ethernet communication.

⚠ Mating Key

Type A

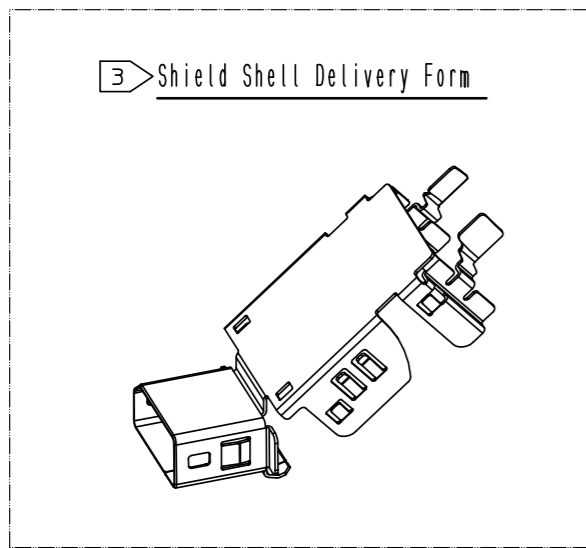
Type B



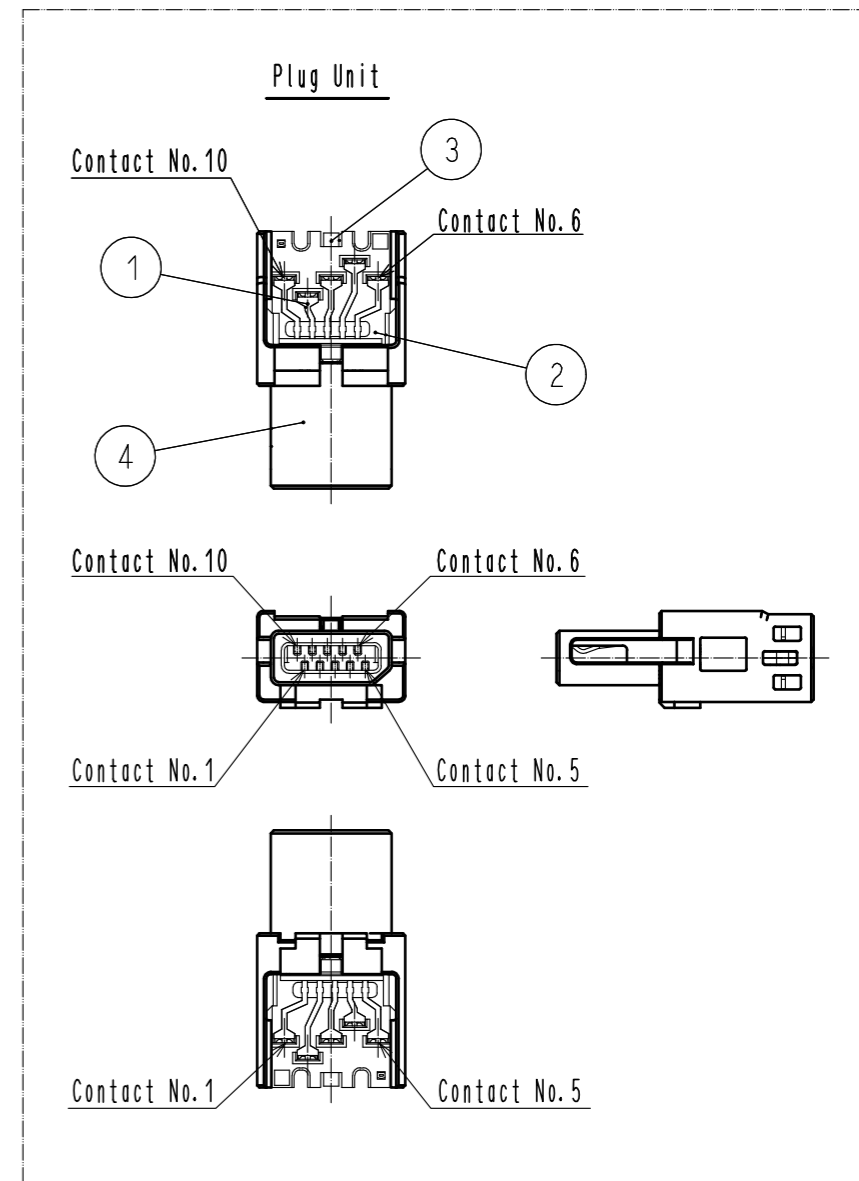
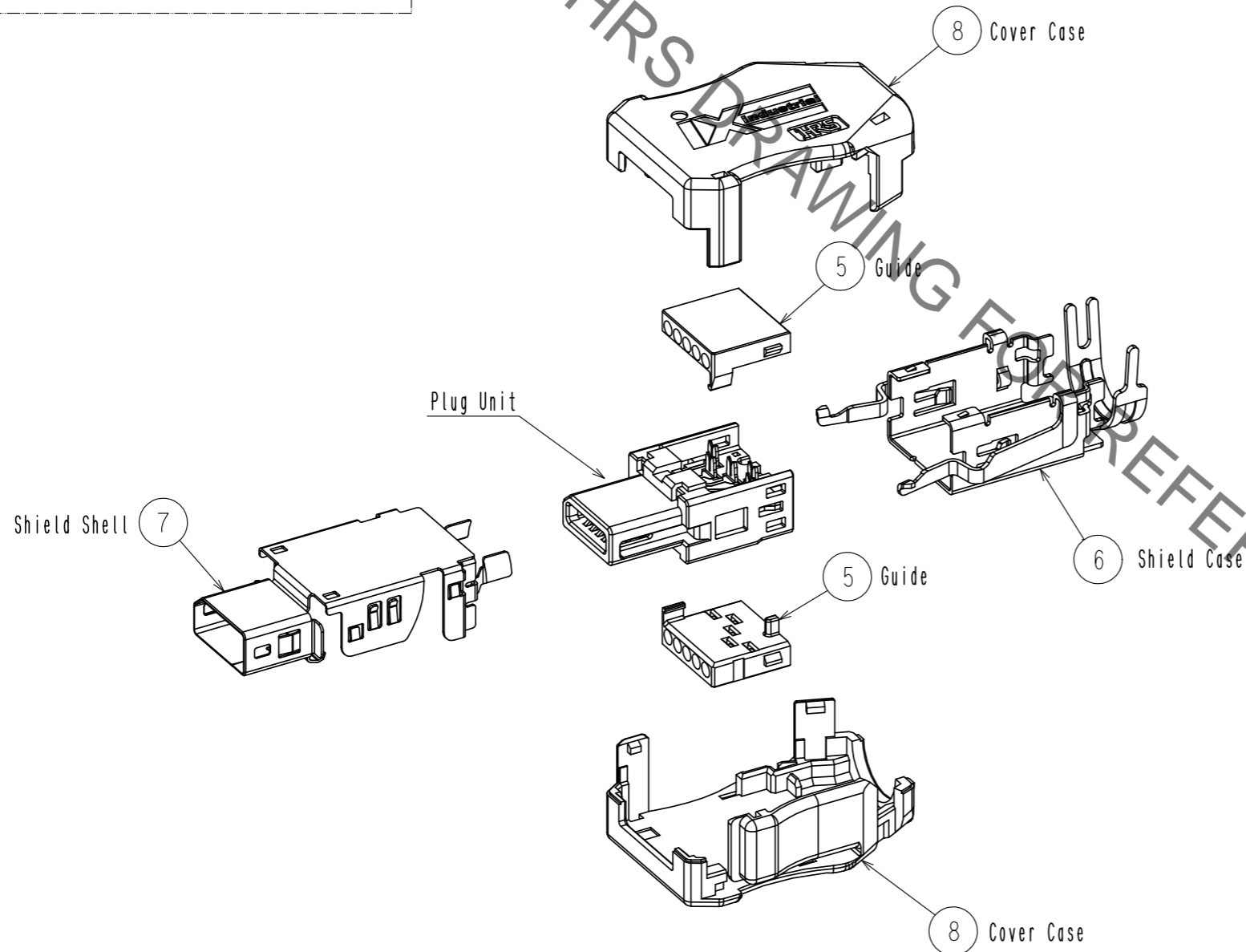
⚠ ③ Excluding the plug unit, this product is packaged separately by the type of parts. The shield shell is packaged prior to bending. (See next page.)

4	PA	Black, UL94V-0	8	PC	Dark gray, UL94V-0
3	Stainless Steel		7	Stainless Steel	Nickel 0.2 μm min
2	PA	Dark gray, UL94V-0	6	Stainless Steel	Nickel 1 μm min
1	Copper Alloy	Contact area : Gold 0.2 μm min Wiring area : Gold 0.03 μm min Under plating : Nickel 2 μm min	5	PC	Clear yellow, UL94V-0
			NO. MATERIAL FINISH . REMARKS		
UNITS mm		SCALE 2 : 1	COUNT 6	DESCRIPTION OF REVISIONS DIS-E-00006881	
DESIGNED MT. YASUDA		CHECKED KI. KAGOTANI		DATE 20211025	
APPROVED : RI. TAKAYASU 20170324		DRAWING NO. EDC-129486-00-00			
CHECKED : KI. NAGANUMA 20170324		PART NO. IX31G-B-10S-CV(7.0)			
DESIGNED : HT. SATO 20170324		CODE NO. CL0251-0024-0-00			
DRAWN : HT. SATO 20170324					

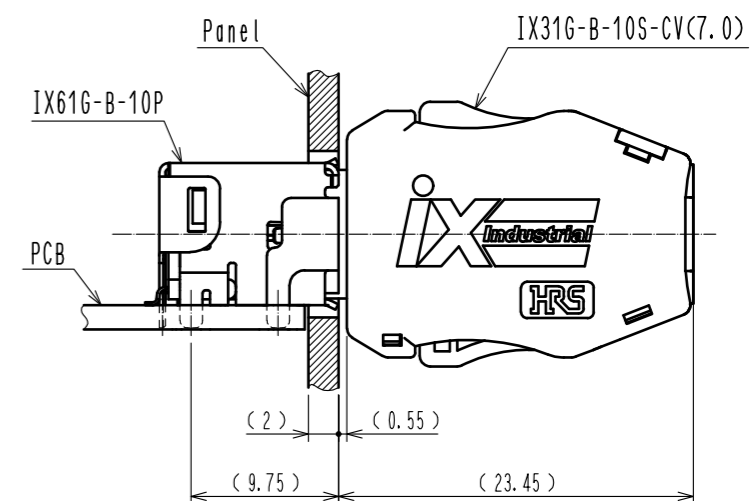
May.1.2023 Copyright 2023 HIROSE ELECTRIC CO., LTD. All Rights Reserved.  
 In case of consideration for using Automotive equipment / device which demand high reliability, kindly contact our sales window correspondents.



Product Structure



Mated Condition



<b>HRS</b>	DRAWING NO.	EDC-129486-00-00
	PART NO.	IX31G-B-10S-CV(7.0)
	CODE NO.	CL0251-0024-0-00
		⑥ 2/2