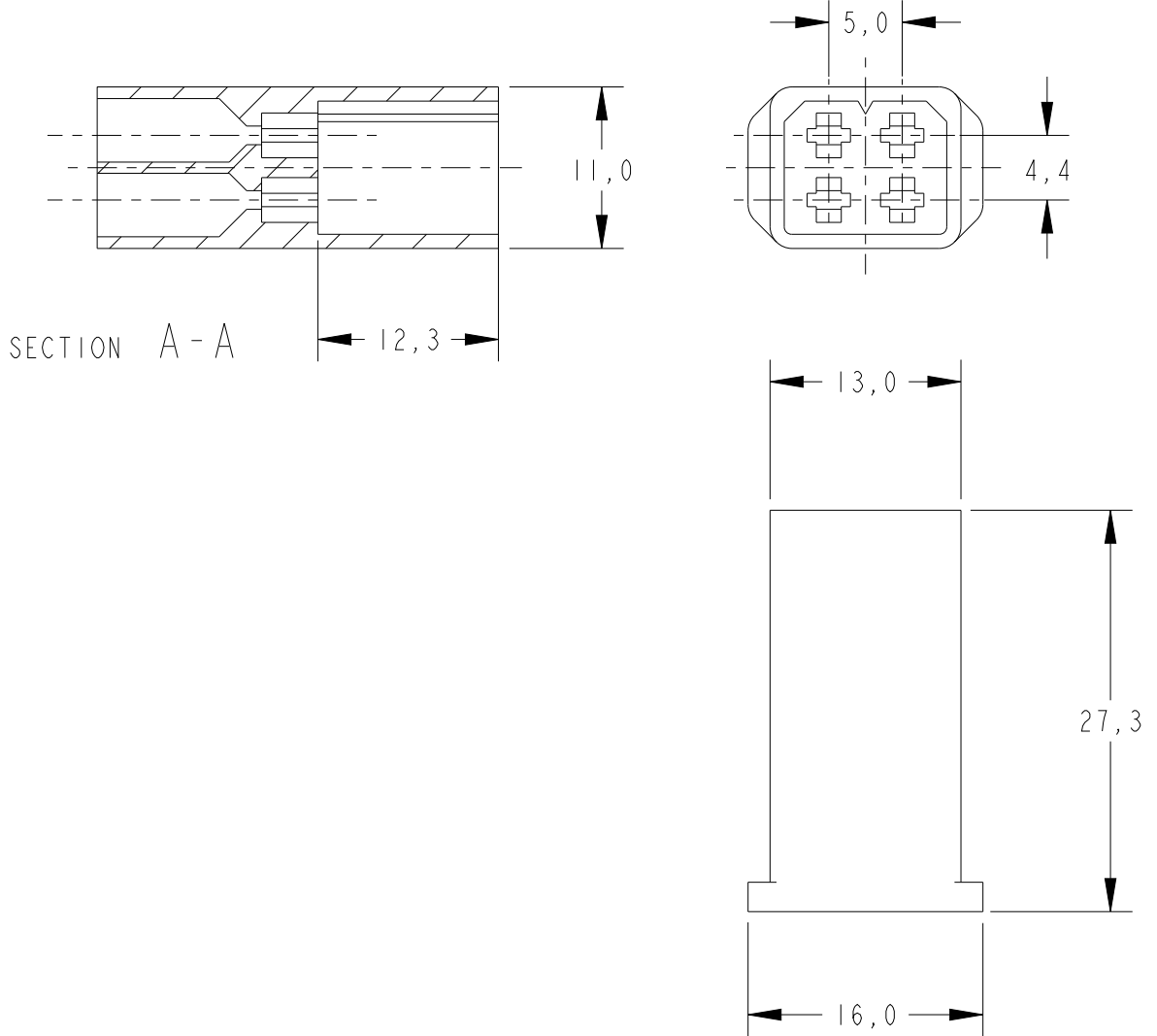

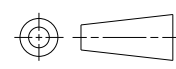


REVISIONS					
P	LTR	DESCRIPTION	DATE	DWN	APVD
	C1	REV. BY ECO 16-006309	03MAY2016	HC	WLS
	C2	REVISED BY ECN-22-162082	30JUN2022	WLS	EW

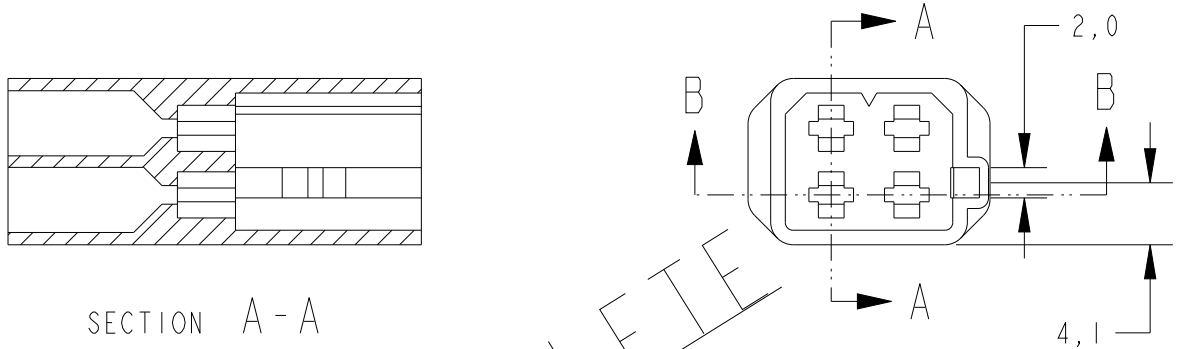


OBSELETE	SEE SHEET 2 OF 2	626057-2
	BLACK	PA 6.6
	NATURAL	PA 6.6
	FINISH	MATERIAL
		PART NUMBER

THIS DRAWING IS UNPUBLISHED.
 ALL RIGHTS RESERVED.
 COPYRIGHT copyright_dByte-

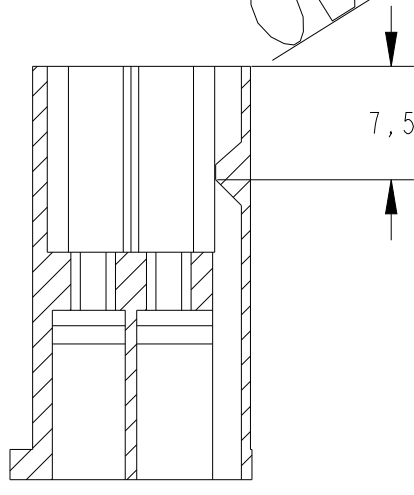
DIMENSIONS: mm		DWN H.C.CANTERI	30-Jun-22	MATERIAL	-	FINISH	-
TOLERANCES UNLESS OTHERWISE SPECIFIED:		CHK W.L.STEFANI	04MAY2016	 TE Connectivity			
0 PLC	±-	APVD	-				
1 PLC	±0,3	PRODUCT SPEC	-	NAME HOUSING, 4POSN, .110 FASTIN-ON TAB			
2 PLC	±-	APPLICATION SPEC	-	SIZE	CAGE CODE	DRAWING NO	RESTRICTED TO
3 PLC	±-			A 4	-	C-626057	-
4 PLC	±-	WEIGHT	-	CUSTOMER DRAWING		SCALE	2:1
ANGLES	±1°					SHEET	1 OF 2
						REV	C2

REVISIONS				
P	LTR	DESCRIPTION	DATE	APVD
		SEE PAGE 1 OF 2		

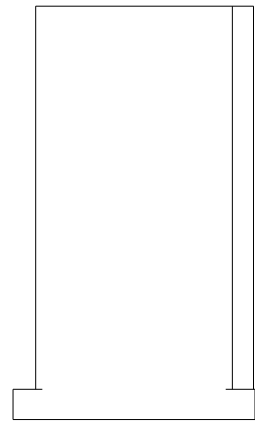


SECTION A - A

OBSOLETE



SECTION B - B



OBSOLETE	NATURAL	PA 6.6	626057-2
	SEE PAGE 1 OF 2		626057-1
			626057-0
	FINISH	MATERIAL	PART NUMBER

THIS DRAWING IS UNPUBLISHED.
 ALL RIGHTS RESERVED.
 COPYRIGHT © copyright - d8Te -

DIMENSIONS: mm	DWN H.C. CANTERI 30-Jun-22 CHK W.L. STEFANI 04MAY2016	MATERIAL - FINISH -	
	TOLERANCES UNLESS OTHERWISE SPECIFIED: 0 PLC ± 1 PLC ±0,3 2 PLC ± 3 PLC ± 4 PLC ± ANGLES ±1°	TE Connectivity	
	PRODUCT SPEC - APPLICATION SPEC - WEIGHT -	NAME HOUSING, 4POSN, .110 FAST-IN-ON TAB	
		SIZE A 4 CAGE CODE - DRAWING NO C-626057	RESTRICTED TO -
CUSTOMER DRAWING		SCALE 2:1	SHEET 2 OF 2 REV C2