

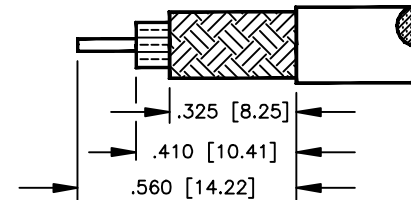
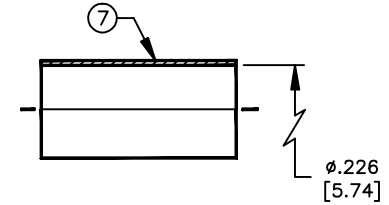
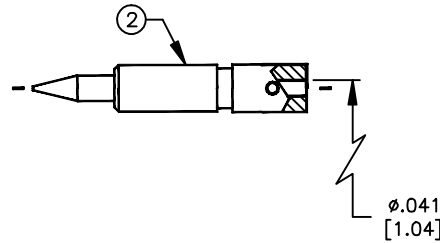
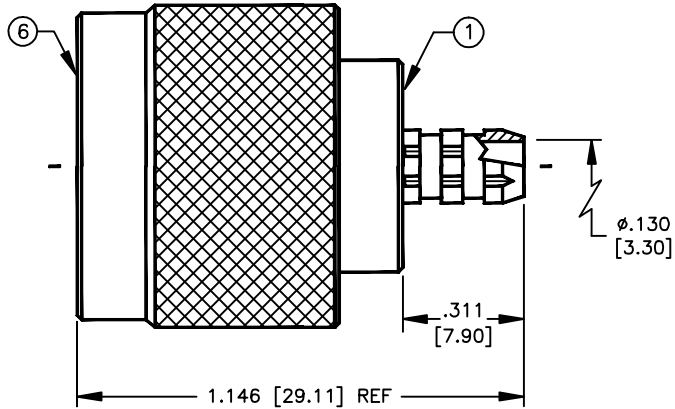
SPECIFICATION CONTROL DRAWING

THIS DRAWING CONTAINS INFORMATION PROPRIETARY TO RF INDUSTRIES, LTD. ANY UNAUTHORIZED USE OF THIS DRAWING IS EXPRESSLY PROHIBITED. ANY VIOLATION IS PUNISHABLE UNDER U.S. COPYRIGHT LAWS.

REV	DESCRIPTION	DWN	DATE	APPROVED
A	ENGINEERING RELEASE	KMM	11/21/94	R. RICE
B	CHANGE DIELECTRIC ID / CHANGE PIN CONFIGURATION	CZS	10/29/97	R. RICE
C	CHG SHELL, BODY & FER STUD DIM / DIE TOLERANCE ADDED	CZS	12/11/98	R. RICE

ALL DIMENSIONS ARE REFERENCE ONLY

000000



SPECIFICATIONS:

IMPEDANCE: 50 OHMS
 WORKING VOLTAGE: 1000 VRMS @ SEA LEVEL
 FREQUENCY RANGE: 0-11 GHz
 INSERTION LOSS: ≤ -0.2 dB @ 10 GHz
 VSWR MAX: 1.3:1 @ 9 GHz
 FOR RG-55, 55A, 55B, 142, 142A, 142B & 223/U,
 ALPHA 9055, 9055B, 9223, BELDEN 8219, 83242, 84142, 9907
 INTERFACE PER MIL-STD-348A, SECTION 304.1

SUGGESTED STRIPPING INSTRUCTIONS
SUGGESTED CRIMP DIES: .100 & .213

DIMENSIONS ARE IN INCHES AND [MILLIMETERS]

UNLESS OTHERWISE NOTED TOLERANCES ARE:

DECIMALS DIAMETER

DRAWN C. ZUNIGA 12/11/98

CHECKED

ORJ DRAWN K. MAXWELL 11/21/94

APPROVALS DATE

RF connectors
DIVISION OF RF INDUSTRIES, LTD.

7610 MIRAMAR RD
 SAN DIEGO, CA 92126
 (619)549-6340
 (619)549-6345 FAX

RFN-1005-C1

N MALE CRIMP

SIZE	CABLE GROUP	DWG NO.	REV
A	C1	8422	C

SCALE: 2:1 CAD FILE 13ARC B SHEET 1 OF 1

ITEM	DESCRIPTION	QTY	MATERIAL	FINISH
8	GROUND RING	1	BRASS	NICKEL
7	FERRULE [FER-10C1]	1	BRASS	NICKEL
6	SHELL	1	BRASS	NICKEL
5	GASKET	1	S.I. RUBBER	RED
4	RETAINING RING	1	BRASS	NONE
3	DIELECTRIC	1	PTFE	NONE
2	PIN	1	BRASS	GOLD
1	BODY	1	BRASS	NICKEL