

SUMMARY



Image is for illustrative purpose only

Wires

Coax 1

Series 1V
Termination type Female solder Coaxial
IP rating 68 when mated
AWG wire size 0.00 - 0.00
Cable Ø 0.00 - 0.00 mm
Status active
Matching parts [FVN.1V.275.CTAC60](#)

Download

[Request a quote](#)
[Catalog](#)

TECHNICAL DETAILS

Mechanics

Shell Style/Model EVP*: Fixed socket, nut fixing
Keying Circular, female
Housing Material Brass (chrome plated [SAE AMS 2460]) shell and collet nut, nickel plated [SAE AMS QQ N 290] brass latch sleeve and mid pieces
Weight 23.67 g

Performance

Configuration 1V.275 : 1 Coax (75 Ohm)
Insulator
Rated Current

Specifications

Contact Type: Solder

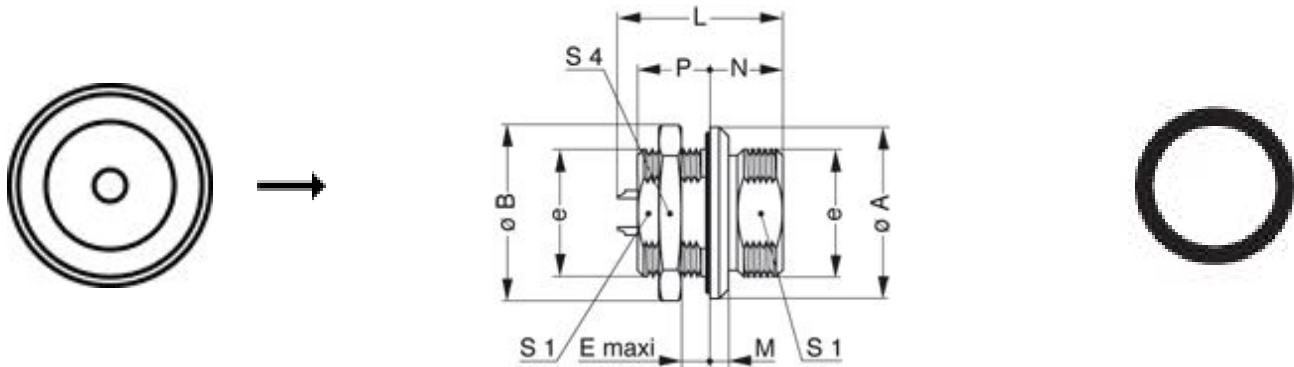
Others

Endurance (Shell): 1000 mating cycles
Temp (min / max): -20°C / +200°C
Climatical Category: 20/200/21
Shielding (min): 95 dB (10 MHz)

LEMO products and services are provided "as is". LEMO makes no warranties or representations with regard to LEMO product & services or use of them, express, implied or statutory, including for accuracy, completeness, or security. The user is fully responsible for his products and applications using LEMO components.

Shielding (min): 80 dB (1 GHz)
 Salt Spray Corrosion: >1000 hr
 Pressure: 30 bars

DRAWINGS



Dimensions

	A	B	E	L	M	N	P	S1	S4	e
mm.	21	21.5	10.5	26	2	8	13.5	14.5	19	M16x1.0
in.	0,83	0,85	0,41	1,02	0,08	0,31	0,53	0,57	0,75	

RECOMMENDED BY LEMO

Tools

LEMO products and services are provided "as is". LEMO makes no warranties or representations with regard to LEMO product & services or use of them, express, implied or statutory, including for accuracy, completeness, or security. The user is fully responsible for his products and applications using LEMO components.