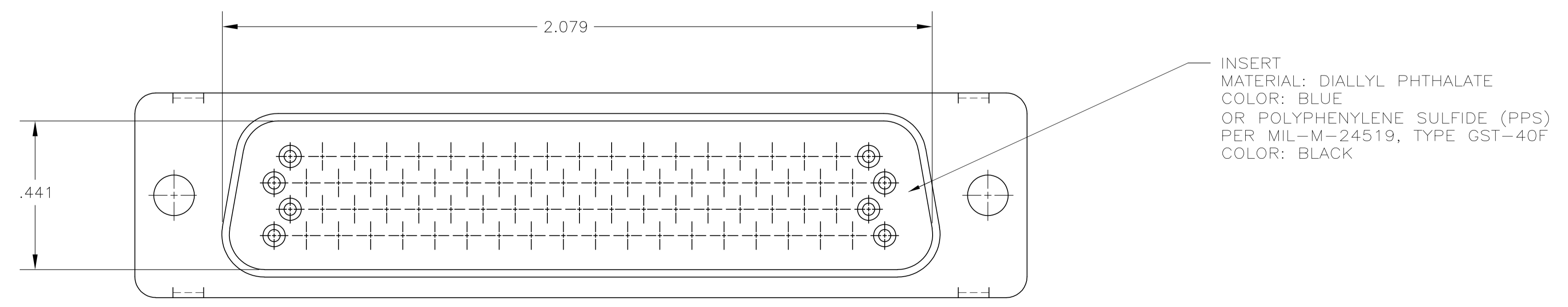
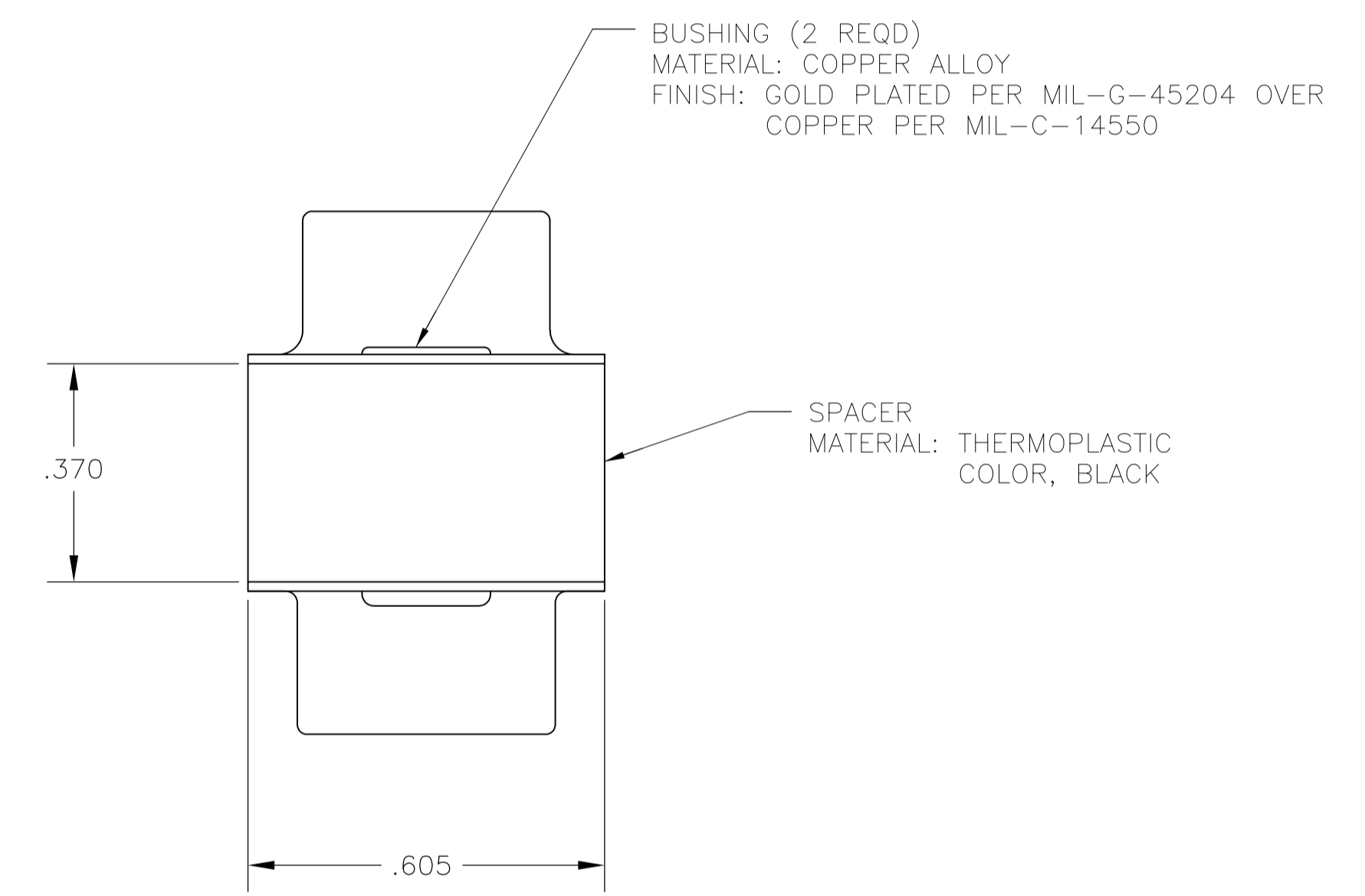
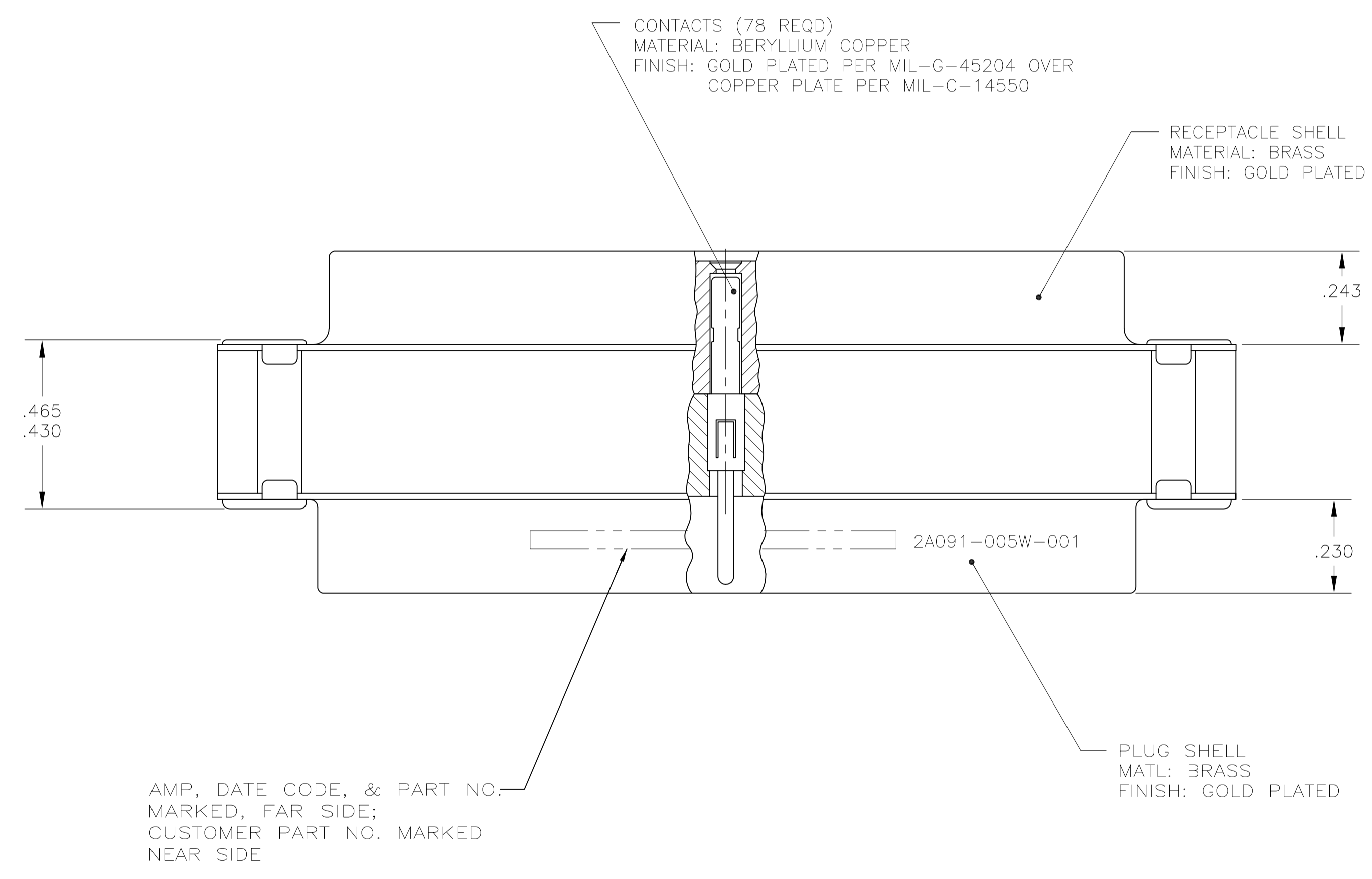
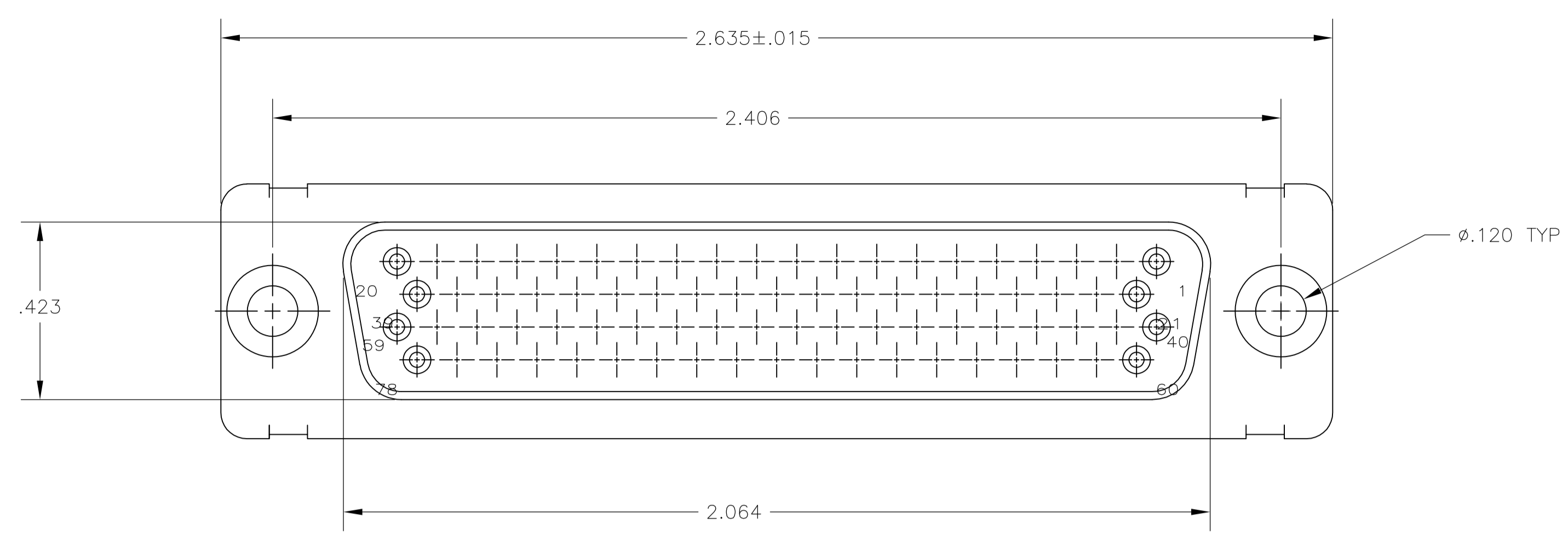


REVISIONS					
P	LTR	DESCRIPTION	DATE	DMN	APVD
G		REV PER ECO 17-000132	5-5-17	CT	DM



211688-1
PART NO.

THIS DRAWING IS A CONTROLLED DOCUMENT. DIMENSIONING AND TOLERANCING PER ASME Y14.5M (ISO STANDARDS)		DIN P. YEAGER 13APR11	 TE Connectivity	NAME CONNECTOR SAVER, AMPLIMITE, 78 POSITION, SIZE 5, SERIES 90
DIMENSIONS: INCHES		CHK R. LEASE 13APR11		
TOLERANCES UNLESS OTHERWISE SPECIFIED:		APVD R. LEASE 13APR11	PRODUCT SPEC	
0 PLC	± -	APPLICATION SPEC		
1 PLC	± -	RESTRICTED TO		
2 PLC	± -	SIZE CAGE CODE DRAWING NO		
3 PLC	± .005	WEIGHT 0 A1 00779 C=211688		
4 PLC	± -	CUSTOMER DRAWING		
ANGLES	± -	SCALE 4:1 SHEET 1 OF 1 REV G		