

SUMMARY



Image is for illustrative purpose only

Wires

Triax 1

Series	4M
Termination type	Male solder
IP rating	66
AWG wire size	0.00 - 0.00
Cable Ø	0.00 - 0.00 mm
Status	obsolete
Matching parts	FBB.4M.650.CTLC90

Download

[Request a quote](#)

[Catalog](#)

TECHNICAL DETAILS

Mechanics

Shell Style/Model	EHM*: Fixed receptacle with tag, visible shell
Keying	1 key (alpha=0; plug: male contacts, receptacle: female contacts)
Housing Material	Brass (chrome plated [SAE AMS 2460]) shell and collet nut, nickel plated [SAE AMS QQ N 290] brass latch sleeve and mid pieces
Weight	79.38 g

Performance

Configuration	4M.650 : 1 Triax (50 Ohm)
Insulator	T: PTFE
Rated Current	26 Amps

Specifications

Contact Type: Triaxial 50 Ohm (Solder)
Vtest: 1800 V (AC), 2540 V (DC)
Impedance: 50 Ohm

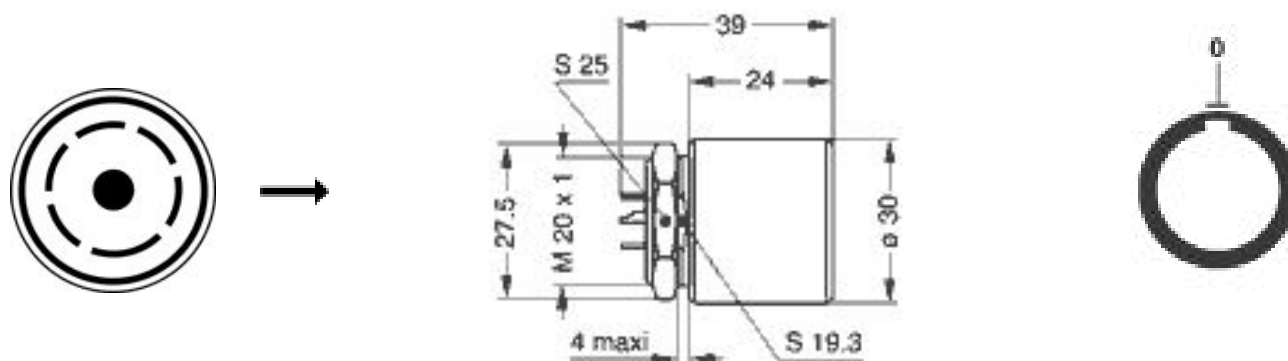
Others

Humidity (max): <=95% [at 60 deg C / 140 F]
Vibration: 15 g [10 Hz - 2000 Hz]

LEMO products and services are provided "as is". LEMO makes no warranties or representations with regard to LEMO product & services or use of them, express, implied or statutory, including for accuracy, completeness, or security. The user is fully responsible for his products and applications using LEMO components.

Shock Resistance: 100 g [6 ms]
 Climatical Category: 55/175/21
 Shielding (min): 85 dB (10 MHz)
 Salt Spray Corrosion: >1000 hr

DRAWINGS



Dimensions

	A	B	L	M	S1	S3	e
mm.	30	27.5	39	24	19.3	25	M20x1.0
in.	1,18	1,08	1,54	0,94	0,76	0,98	

RECOMMENDED BY LEMO

Tools

LEMO products and services are provided "as is". LEMO makes no warranties or representations with regard to LEMO product & services or use of them, express, implied or statutory, including for accuracy, completeness, or security. The user is fully responsible for his products and applications using LEMO components.