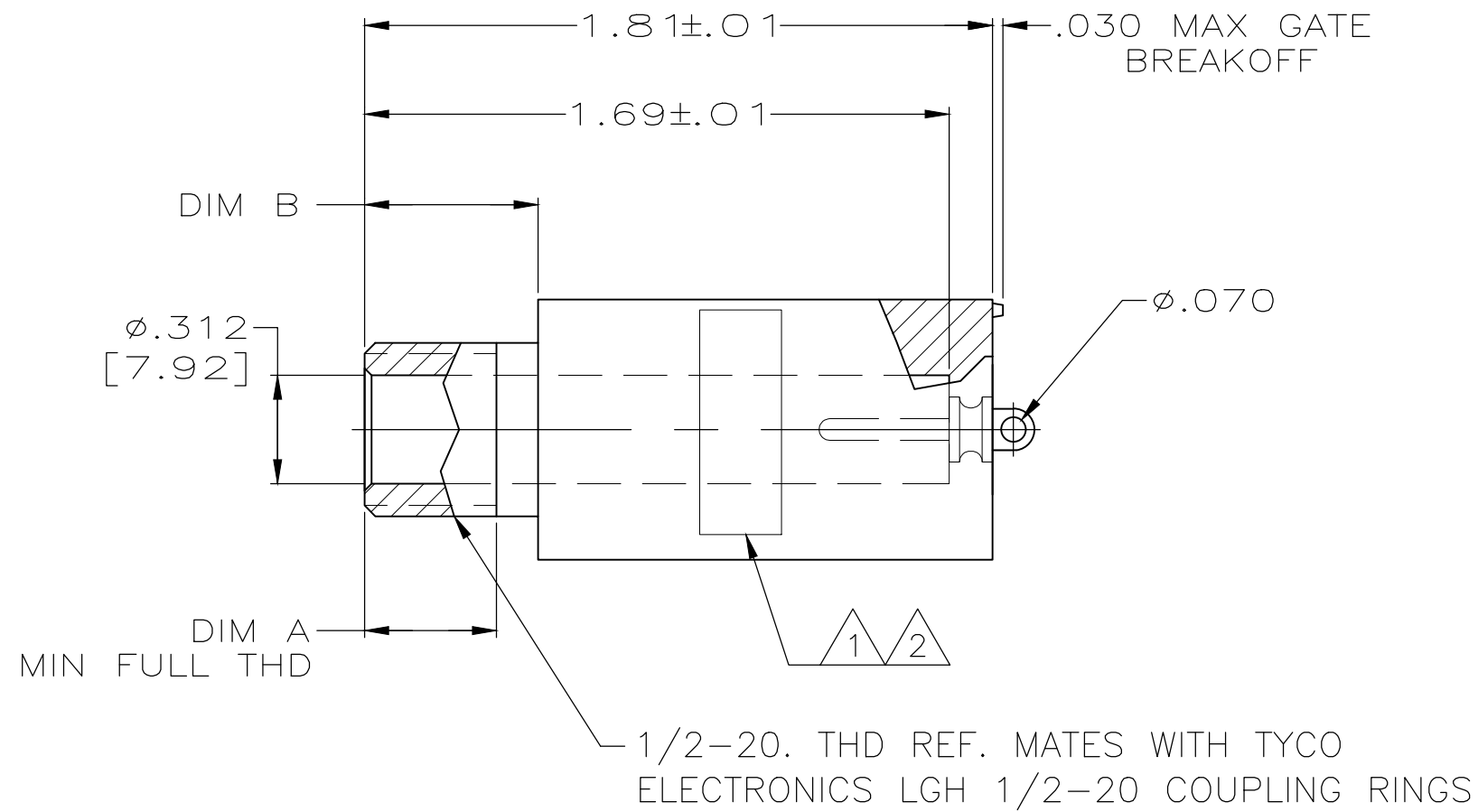
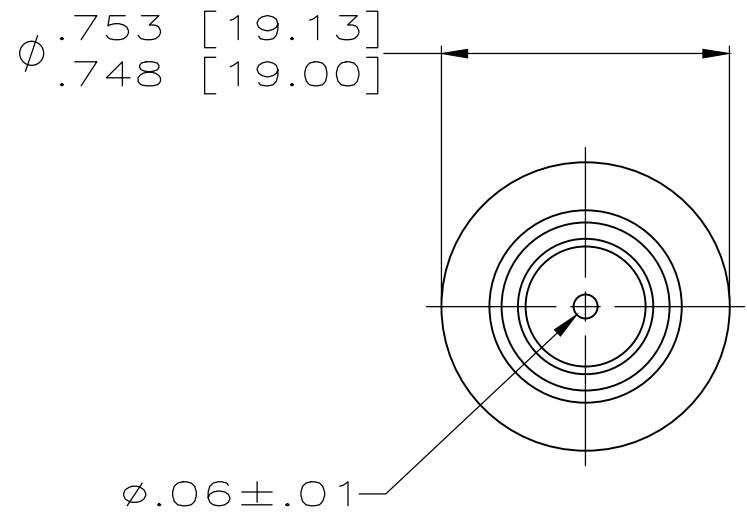


THIS DRAWING IS UNPUBLISHED. RELEASED FOR PUBLICATION - .N/A .  
 © COPYRIGHT N/A By - ALL RIGHTS RESERVED.

LOC	DIST	REVISIONS					
DF	SO	P	LTR	DESCRIPTION	DATE	DWN	APVD
		L		REVISED PER ECO-15-007054	06JUN2015	MGM	CT



- MARKED PER MIL-STD-130.
- MARKED PER MIL-STD-130, INCLUDING SPECIAL CUSTOMER MARKING FOR -7 ONLY.
- CONTACT FINISH: TIN-LEAD .00010 MIN. THK PER SAE-AMS-P-81728 AND PARAGRAPH 6.3, 3-13% LEAD

-	.500 [12.70]	.38 [9.7]	TIN	5-858868-1
	.500 [12.70]	.38 [9.7]	GOLD	858868-7
	.630 [16.00]	.56 [14.2]	TIN-LEAD	858868-5
OBSOLETE	.500 [12.70]	.38 [9.7]	GOLD	858868-2
	.500 [12.70]	.38 [9.7]	TIN-LEAD	858868-1
REMARKS	DIM B	DIM A	TERMINAL PLATING	PART NUMBER

THIS DRAWING IS A CONTROLLED DOCUMENT.		DWN 06JUN2015 MANJUNATH G M	TE Connectivity	
DIMENSIONS: INCHES		CHK 06JUN2015 CHARLES THOMAS		
TOLERANCES UNLESS OTHERWISE SPECIFIED:		APVD 06JUN2015 CHARLES THOMAS	NAME	
0 PLC ± -		RECEPTACLE ASSEMBLY LGH-1		
1 PLC ± -		PRODUCT SPEC		
2 PLC ± -		APPLICATION SPEC		
3 PLC ± .005[0.13]		SIZE CAGE CODE DRAWING NO RESTRICTED TO		
4 PLC ± -		A3 00779 C-858868		
ANGLES ± -		SCALE 2:1 SHEET 1 OF 1 REV L		
MATERIAL: GLASS EPOXY MLDG CMPD		FINISH: SEE TABLE		
MATERIAL: GLASS EPOXY MLDG CMPD		FINISH: SEE TABLE		
MATERIAL: GLASS EPOXY MLDG CMPD		FINISH: SEE TABLE		