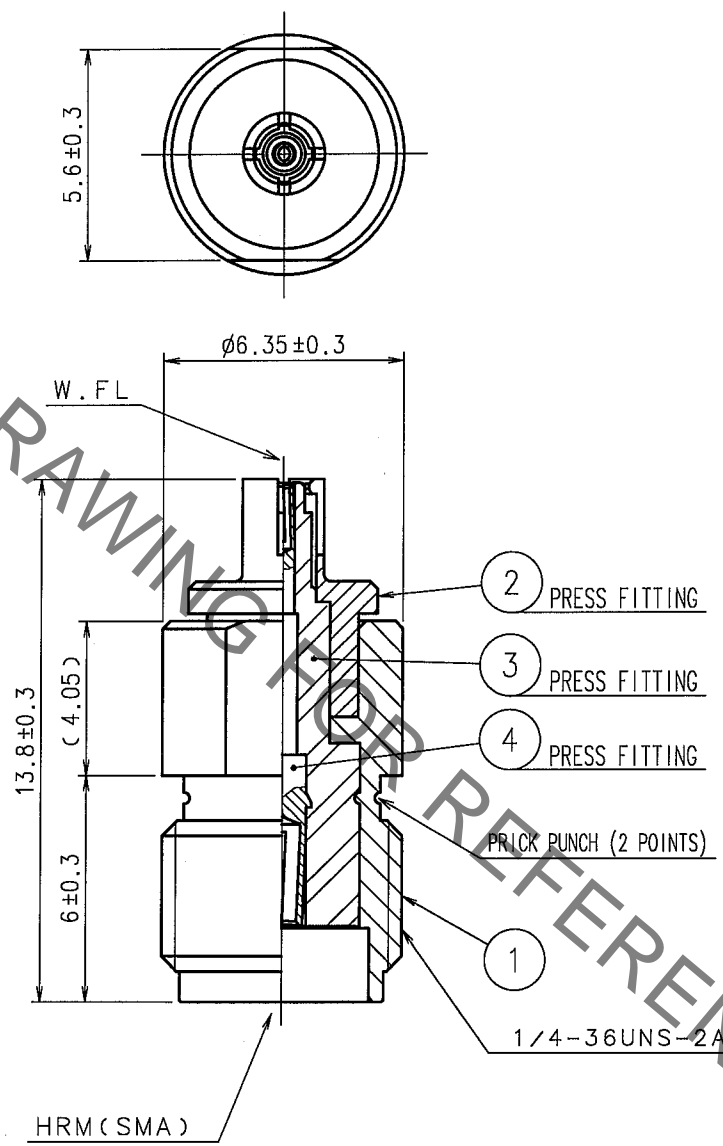


May.1.2023 Copyright 2023 HIROSE ELECTRIC CO., LTD. All Rights Reserved.
In case of consideration for using Automotive equipment / device which demand high reliability, kindly contact our sales window correspondents.

1		2			3			4		
COUNT	DESCRIPTION OF REVISIONS	BY	CHKD	DATE	COUNT	DESCRIPTION OF REVISIONS	BY	CHKD	DATE	
△					△					
△					△					
△					△					



HRS DRAWING FOR REFERENCE

NOTE. USE ONLY FOR ELECTRICAL MEASUREMENT BECAUSE OF LOCKING DEVICE IN MATING PORTION ON W.FL SIDE IS DESIGNED WEAKER THAN ORDINARY PRODUCTS.

2	BERYLLIUM COPPER	NICKEL PLATING	4	BERYLLIUM COPPER	GOLD PLATING
1	BRASS	NICKEL PLATING	3	PTFE	
NO.	MATERIAL	FINISH, REMARKS	NO.	MATERIAL	FINISH, REMARKS

CODE NO. (OLD)	DRAWN	DESIGNED	CHECKED	APPROVED	RELEASED
	R.KIMURA	R.KIMURA	<i>M. Yamane</i>	<i>J. Mitani</i>	
	05.08.11	05.08.11	05.08.23	05.08.26	

0
RF

<p>SACLE 5 : 1</p> <p>UNITS mm</p>	<p>DRAWING NO. EDC4-300218-40</p> <p>HRS HIROSE ELECTRIC CO., LTD.</p>	<p>PART NO. HRMJ-W.FLP(40)</p> <p>CODE NO. CL311-0368-6-40</p>	<p>1</p> <p>1</p>
--	---	--	-------------------