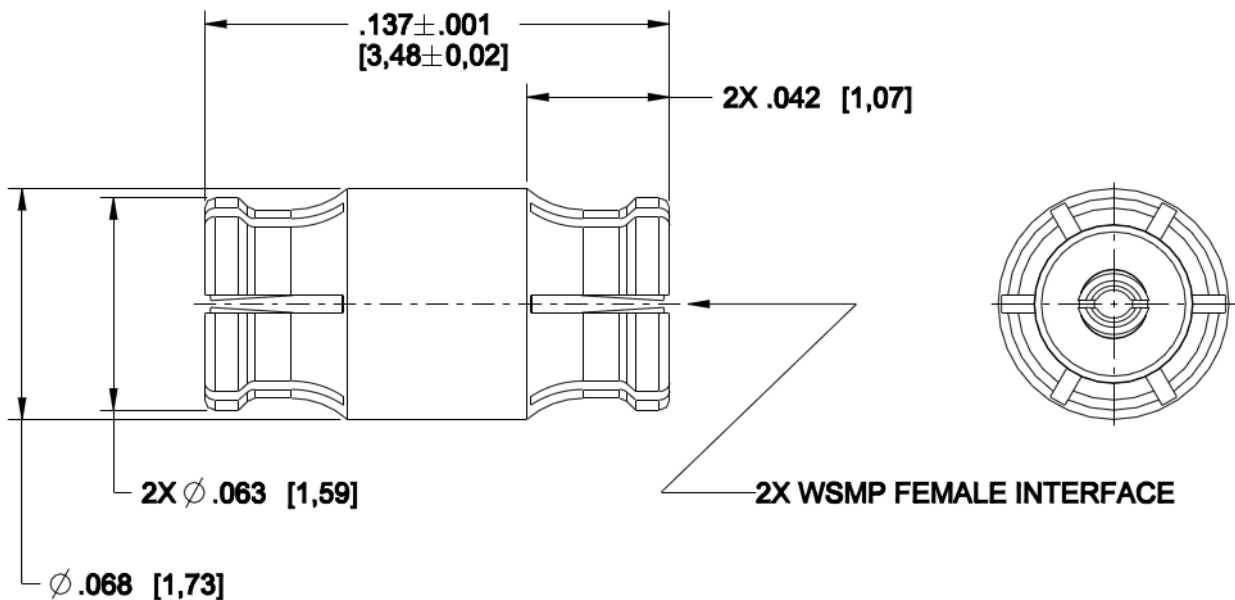
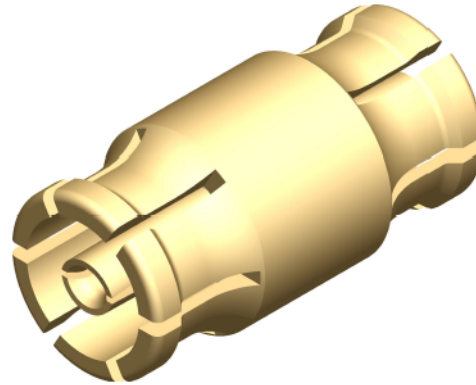


WSMP

Adaptor (Bullet)
Female to Female

W1K10E-K00D3



All dimensions are in inches [mm]
Unless otherwise specified, tolerances are as follows: .XXX ± .002 [0,05]

Interface

According to Rosenberger WSMP™ Interface standards

Material and plating

Connector parts
Body and Contact

Material
CuBe per ASTM B196

Plating
Hard gold, 50µIN [1,27µm] min, over nickel, 50µIN [1,27µm] min

Dielectric PTFE per ASTM D1710

Dieses Dokument ist urheberrechtlich geschützt • This document is protected by copyright • Rosenberger Hochfrequenztechnik GmbH & Co. KG

Electrical data

| | |
|----------------------------------|------------------------------------|
| Impedance | 50 Ω |
| Frequency | DC to 100 GHz |
| Return loss (typical) | ≥ 26 dB, DC to 26.5 GHz |
| | ≥ 19 dB, 26.5 to 65 GHz |
| Insertion loss | ≤ 0.12 x $\sqrt{f(\text{GHz})}$ dB |
| Insulation resistance | ≥ 3.5 x 10 ³ MΩ |
| Center contact resistance | ≤ 6.0 mΩ |
| Outer contact resistance | ≤ 2.0 mΩ |
| Test voltage (at sea level) | 250 V rms |
| RF High Potential (at sea level) | 150 V rms @ 5 MHz |
| RF-leakage | ≥ -80 dB (typical mated pair) |

Mechanical data

| | |
|-------------------------------|-----------------------------|
| Mating cycles | |
| - Full Detent | ≥ 100 |
| - Smooth Bore | ≥ 500 |
| Engagement force (typical) | |
| - Full Detent | 2.5 lb _f [11 N] |
| - Smooth Bore | 1.2 lb _f [5.3 N] |
| Disengagement force (typical) | |
| - Full Detent | 4.5 lb _f [20 N] |
| - Smooth Bore | 1.0 lb _f [4.5 N] |

Environmental data

| | |
|---------------------|---------------------------------|
| Temperature range | -55°C to +165°C |
| Thermal shock | MIL-STD-202-107, Condition B |
| Corrosion | MIL-STD-202-101 |
| Vibration | MIL-STD-202-204, Condition D |
| Shock | MIL-STD-202-213, Condition I |
| Moisture resistance | MIL-STD-202-106, except Step 7B |
| 2002/95/EC (RoHS) | compliant |

Tooling

| | |
|------------------------------|------------|
| Installation/Extraction tool | W1W002-000 |
|------------------------------|------------|

Packing

| | |
|----------|--|
| Standard | |
|----------|--|

Dieses Dokument ist urheberrechtlich geschützt • This document is protected by copyright • Rosenberger Hochfrequenztechnik GmbH & Co. KG

RF_35/05.10/6.0

| Draft | Date | Approved | Date | Rev. | Engineering change number | Name | Date |
|---|----------|--------------|----------|---|---------------------------|-----------|---------------|
| P. Czikora | 12/20/11 | Paul Czikora | 12/20/11 | a01 | Revised per ECN 19-0674 | M. Peeran | 5/16/2019 |
| Rosenberger of North America, LLC P.O. Box 309 Akron, PA USA 17501 www.rosenbergerna.com | | | | Tel. : +1.717.859.8900 Fax : +1.717.859.7044 Email : info@rosenbergerna.com | | | Page 2 / 2 |