

TABLE 1 DUAL WIRED

MOLEX P/N	ENG. NO.	CABLE LENGTH (mm) + TOLERANCE	LED
1202480037	BTB6050-FBW-05	5000 +165	NO
1202480038	BTB6050-FBW-10	10000 +317	NO
1202480039	BTB6050-FBW-15	15000 +610	NO
1202480040	BTB605P-FBW-05	5000 +165	YES
1202480041	BTB605P-FBW-10	10000 +317	YES
1202480042	BTB605P-FBW-15	15000 +610	YES
1202480043	BTB605N-FBW-05	5000 +165	YES
1202480044	BTB605N-FBW-10	10000 +317	YES
1202480045	BTB605N-FBW-15	15000 +610	YES

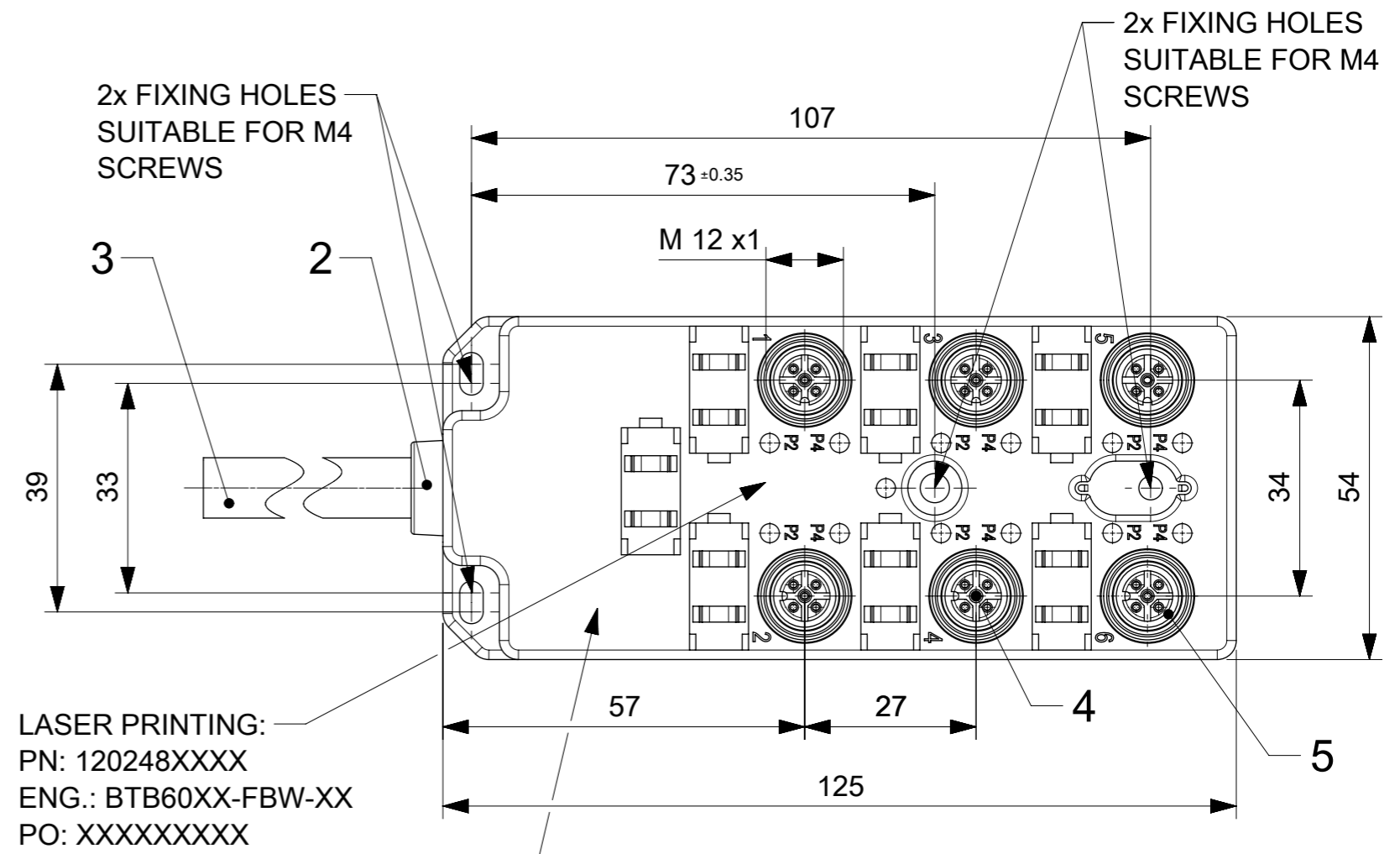
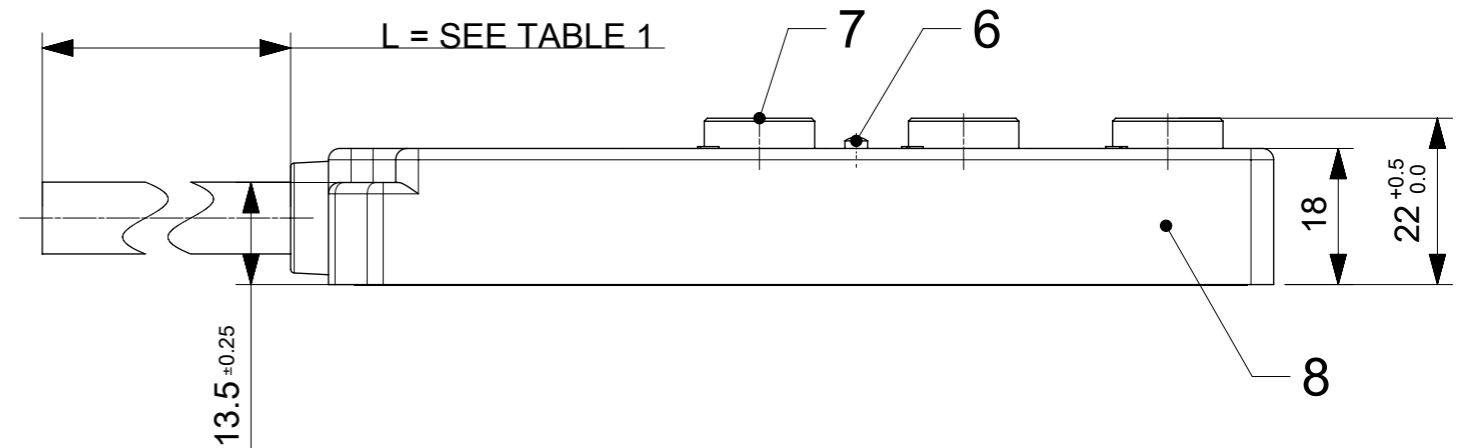


TABLE 2 BILL OF MATERIAL

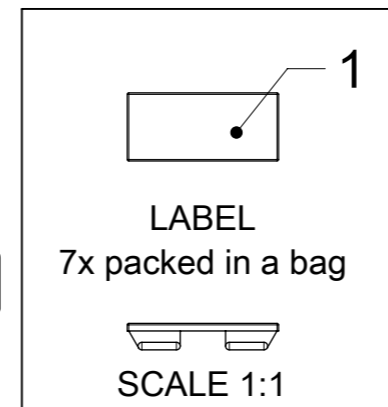
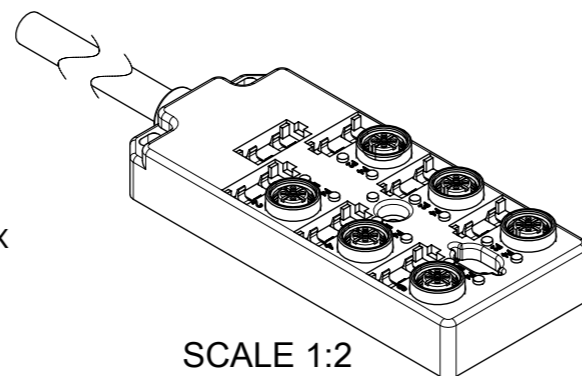
ITEM	DESCRIPTION	MATERIAL	FINISH
1	LABEL	ABS	WHITE
2	CABLE PLATE	PBT	BLACK
3	CABLE	TPU BASED	BLACK
4	CONTACT	BRONZE	GOLD OVER NICKEL
5	O-RING	FPM	RED
6	LED DUAL WIRED	NO LED = PA	BLACK
		WITH LED = PA	TRANSPARENT
7	SHELL	BRASS	NICKEL PLATED
8	HOUSING	PBT	BLACK



GENERAL CHARACTERISTICS:

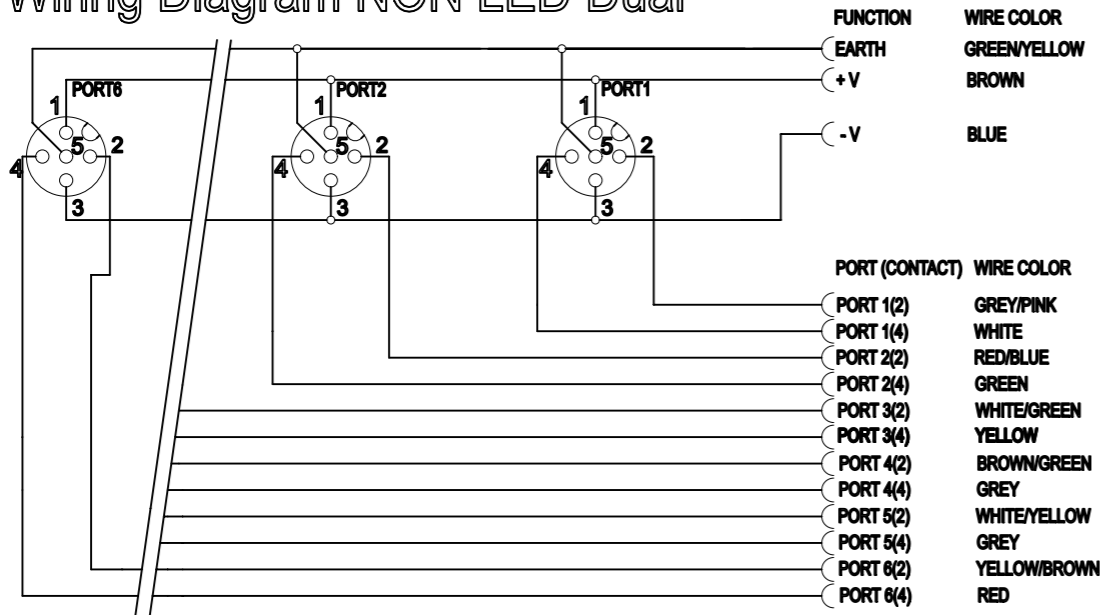
ELECTRICAL AND MECHANICAL DATA ACC. TO IEC 61076-2-101

NOMINAL VOLTAGE: 10-30 V DC
 AMPERE RATING: 4 A PER PORT / 12 A MAX
 AMPERE RATING WITH UL REGISTRATION: 3 A PER PORT / 9 A MAX
 IP DEGREE OF PROTECTION: IP 67
 TEMPERATURE RANGE: -25°C to + 85°C

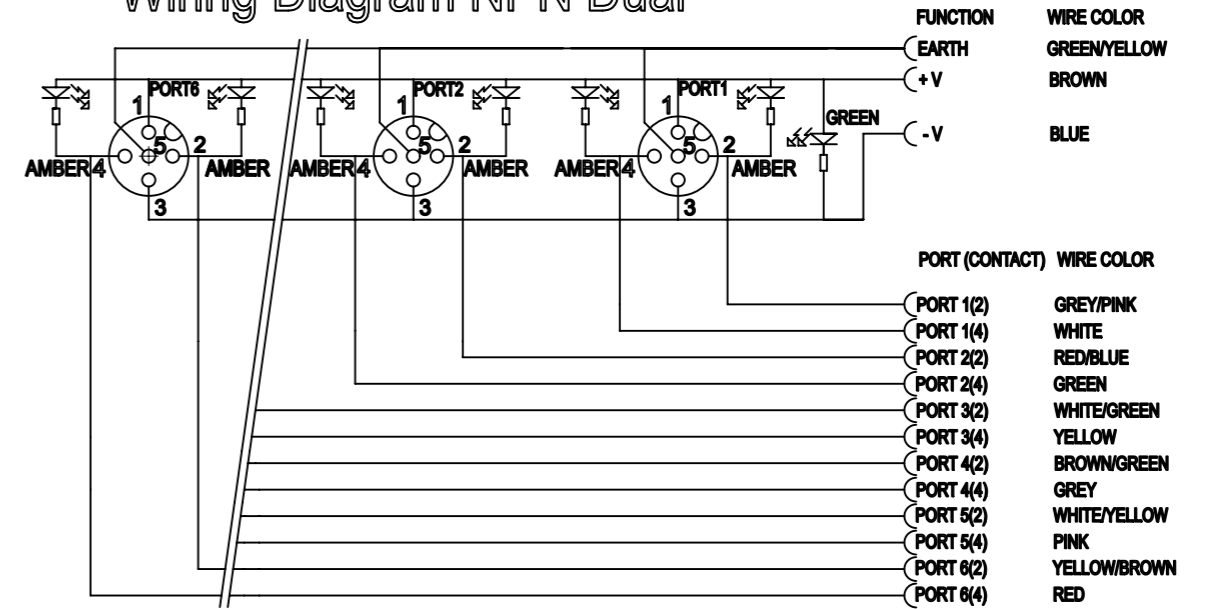


FUNCTIONAL SYMBOLS	THIS DRAWING CONTAINS INFORMATION THAT IS PROPRIETARY TO MOLEX ELECTRONIC TECHNOLOGIES, LLC AND SHOULD NOT BE USED WITHOUT WRITTEN PERMISSION		CURRENT REV DESC: ADDED TOLERANCE	
	△/A = 0	mm	SCALE	1:1
DIVISIONAL SYMBOLS	GENERAL TOLERANCES (UNLESS SPECIFIED)		EC NO: 679945	
	△/E = 0	ANGULAR TOL ± °	DRWN: MDHARMANTI	2021/09/28
DIVISIONAL SYMBOLS	4 PLACES ±	3 PLACES ±	CHK'D: RSILLER	2021/10/04
	2 PLACES ±	1 PLACE ±	APPR: RSILLER	2021/10/04
	0 PLACES ± 0.25	INITIAL REVISION:		DOCUMENT NUMBER
	DRAFT WHERE APPLICABLE MUST REMAIN WITHIN DIMENSIONS		DRWN: AAHLERS	2015/04/07
THIRD ANGLE PROJECTION		APPR: RSILLER	2017/01/13	DOC TYPE
A3-SIZE		SERIES	120248	DOC PART
SEE TABLE 1		MATERIAL NUMBER	GENERAL MARKET	REVISION
1 OF 2		SHEET NUMBER		

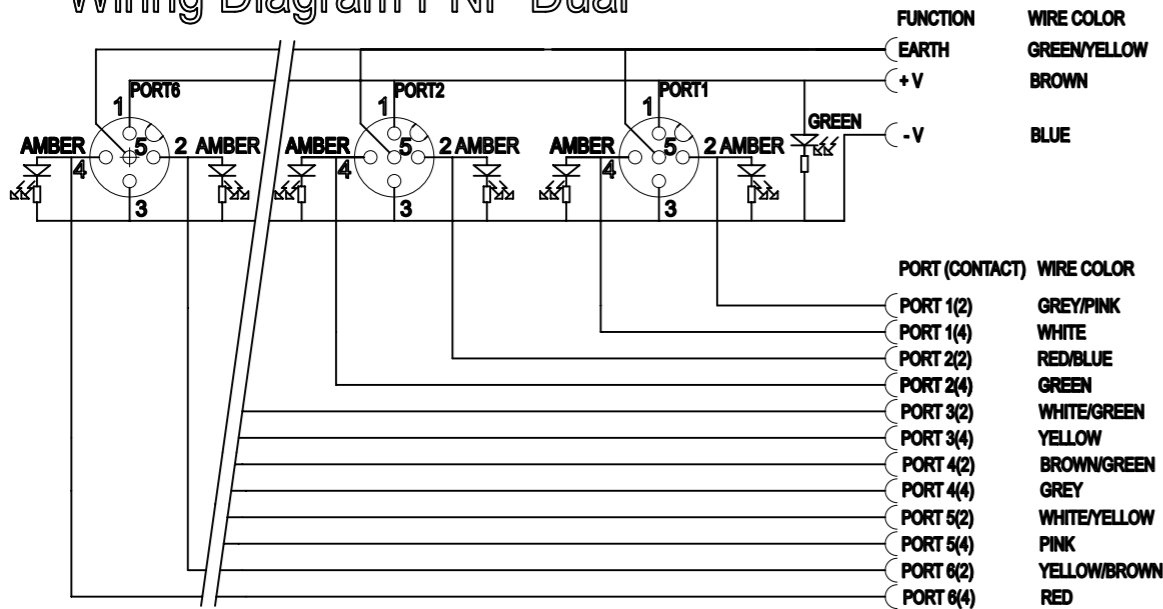
Wiring Diagram NON LED Dual



Wiring Diagram NPN Dual



Wiring Diagram PNP Dual



FUNCTIONAL SYMBOLS	THIS DRAWING CONTAINS INFORMATION THAT IS PROPRIETARY TO MOLEX ELECTRONIC TECHNOLOGIES, LLC AND SHOULD NOT BE USED WITHOUT WRITTEN PERMISSION		CURRENT REV DESC: ADDED TOLERANCE						
	$\nabla_A = 0$ $\nabla_F = 0$ $\nabla_P = 0$	DIMENSION UNITS: mm SCALE: 1:1 GENERAL TOLERANCES (UNLESS SPECIFIED) ANGULAR TOL ± ° 4 PLACES ± 3 PLACES ± 2 PLACES ± 1 PLACE ± 0 PLACES ± 0.25					EC NO: 679945 DRWN: MDHARMANTI 2021/09/28 CHK'D: RSILLER 2021/10/04 APPR: RSILLER 2021/10/04	PRODUCT CUSTOMER DRAWING	
DIVISIONAL SYMBOLS	DRAFT WHERE APPLICABLE MUST REMAIN WITHIN DIMENSIONS		THIRD ANGLE PROJECTION	DRAWING: A3-SIZE	SERIES: 120248	DOCUMENT NUMBER: 1202480037	DOC TYPE: PSD	DOC PART: 000	REVISION: B1
	DOCUMENT STATUS: P1 RELEASE DATE: 2021/10/04 05:48:02		MATERIAL NUMBER: SEE TABLE 1 CUSTOMER: GENERAL MARKET		SHEET NUMBER: 2 OF 2				