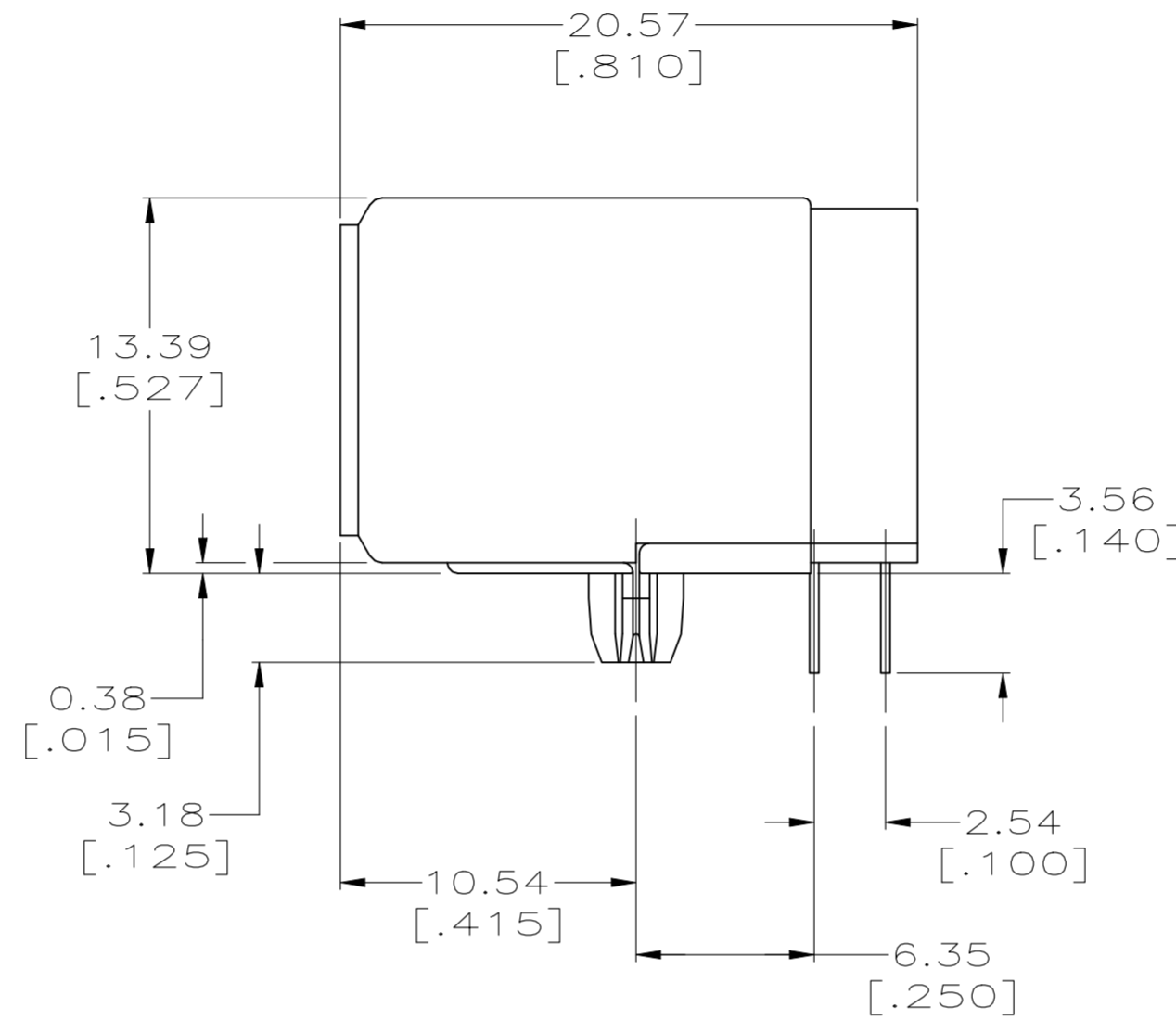
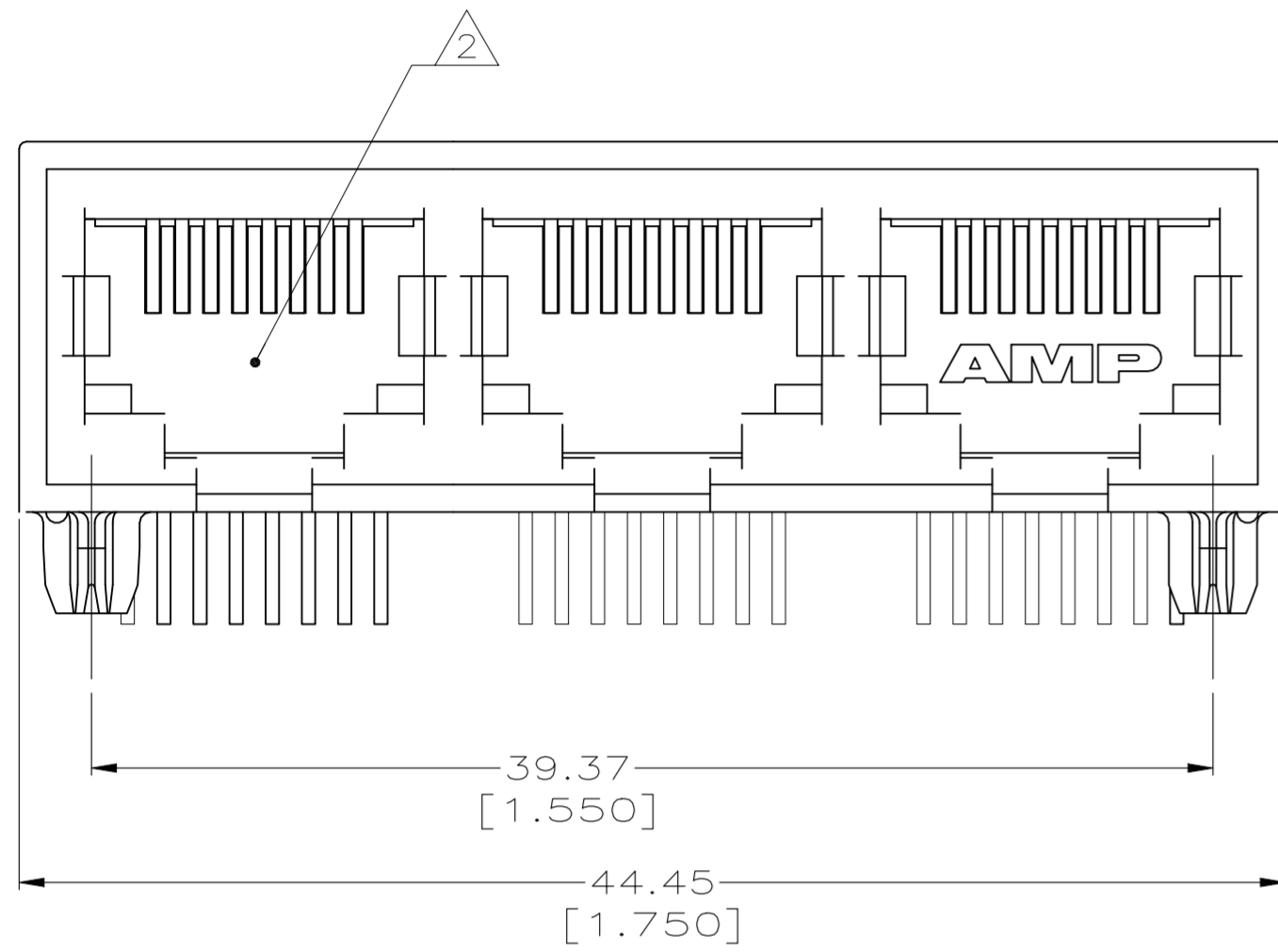


REVISIONS					
P	LTR	DESCRIPTION	DATE	DWN	APVD
A1		ECR-19-014657	13DEC2020	RR	SZ



⚠ MATERIAL: HOUSING – PCT POLYESTER, BLACK, IR COMPATIBLE, UL 94V-0.  
 TERMINALS – 0.33[.013] THICK PHOSPHOR BRONZE PLATED WITH 1.27 $\mu$ m[.000050] MINIMUM THICK HARD GOLD ON LOCALIZED AREA AND 3.81 $\mu$ m[.000150] MINIMUM THICK MATTE TIN IN SOLDER AREA OVER 1.27 $\mu$ m[.000050] MINIMUM THICK NICKEL UNDERPLATE.

⚠ JACK CAVITY CONFORMS TO FCC RULES AND REGULATIONS, PART 68 SUBPART F.

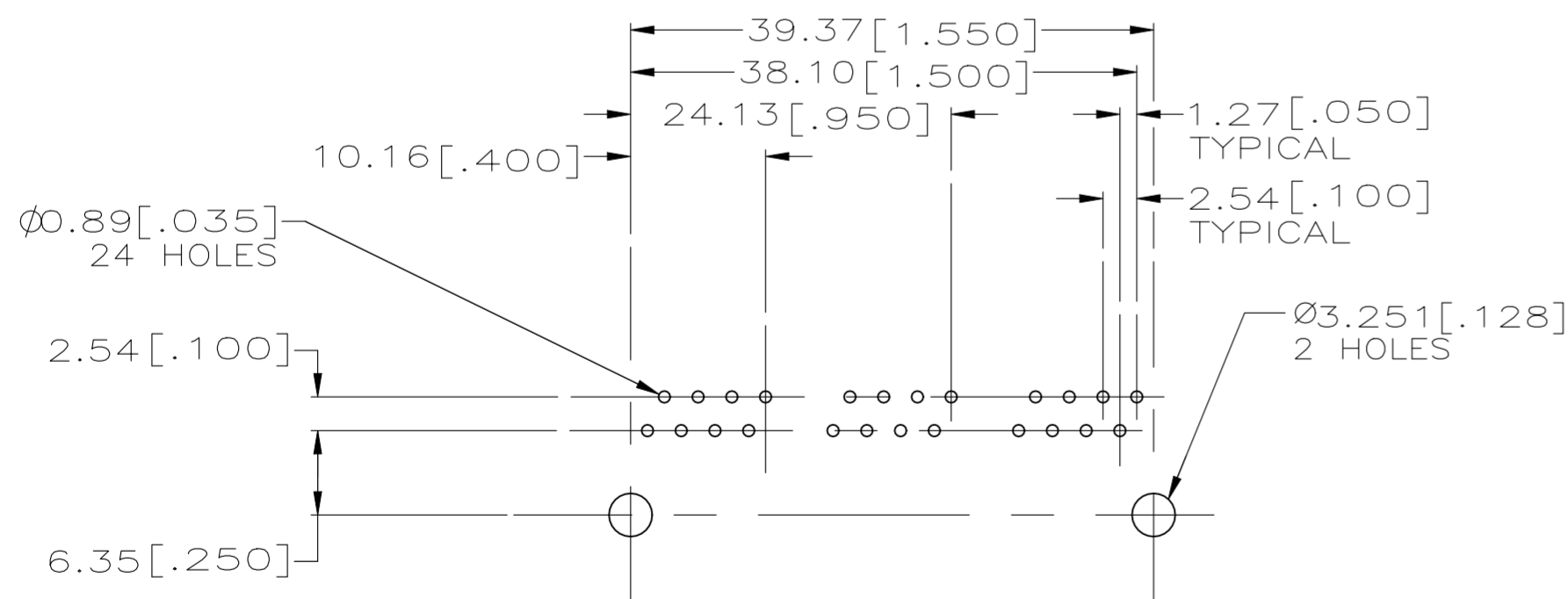
3. ALL DIMENSIONS ARE NOMINAL UNLESS OTHERWISE SPECIFIED.

⚠ CAUTION: CATEGORY 5 JACK SOLDER TAIL POSITIONS DO NOT FOLLOW SAME NUMBER SEQUENCE AS THAT OF THE TRADITIONAL JACKS.

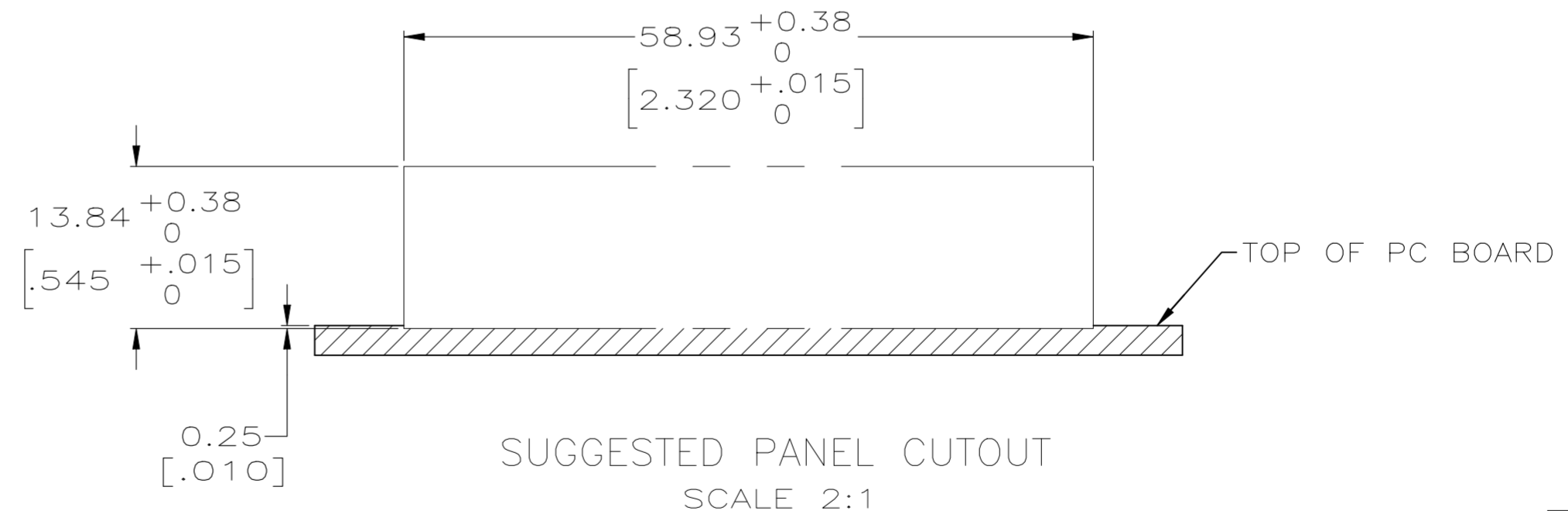


TRADITIONAL JACK

CATEGORY 5 & 5e JACK



SUGGESTED PC BOARD LAYOUT  
 (COMPONENT SIDE)  
 SEE APPLICATION SPECIFICATION  
 SCALE 2:1



SUGGESTED PANEL CUTOUT  
 SCALE 2:1

5569350-1  
 PART NUMBER

THIS DRAWING IS A CONTROLLED DOCUMENT.		DWN L. VARELA - DOCK5 06JUN2005		
		CHK J. WESTMAN 06JUN2005		
DIMENSIONS: mm [INCHES]		APVD S. FLICKINGER 06JUN2005	NAME	
TOLERANCES UNLESS OTHERWISE SPECIFIED:		PRODUCT SPEC 108-1392	MODULAR JACK ASSEMBLY, 3 PORT, 8 POSITION, RIGHT ANGLE, CATEGORY 5E	
0 PLC $\pm$ -		APPLICATION SPEC 114-2048	SIZE A2	CAGE CODE 00779
1 PLC $\pm$ -		WEIGHT 0.000000	DRAWING NO C=5569350	RESTRICTED TO -
2 PLC $\pm$ 0.25[.01]		CUSTOMER DRAWING	SCALE 1:1	SHEET 1 OF 1
3 PLC $\pm$ 0.13[.005]			REV A1	
4 PLC $\pm$ -				
ANGLES $\pm$ -				
FINISH				