

har-modular T-module male straight



Image is for illustration purposes only. Please refer to product description.

| | |
|--------------------|---|
| Part number | 02 53 900 0001 |
| Specification | har-modular T-module male straight |
| HARTING eCatalogue | https://b2b.harting.com/02539000001 |

Identification

| | |
|----------------------------|----------------------|
| Category | Connectors |
| Series | har-modular® |
| Identification | T module T spacer |
| Element | Male connector |
| Description of the contact | Straight |

Version

| | |
|---------------------|-----------|
| Width of the module | 10.16 mm |
| Connection type | Mezzanine |

Technical characteristics

| | |
|----------------------------------|------------------------------------|
| Insulation resistance | $>10^{11} \Omega$ |
| Limiting temperature | -55 ... +125 °C |
| Mating cycles | ≥ 500 |
| Isolation group | I ($600 \leq CTI$) |
| Hot plugging | No |
| Moisture Sensitivity Level (MSL) | 1 acc. to ECA/IPC/JEDEC J-STD-020D |

Material properties

| | |
|---|----------------|
| Material | Polyamide (PA) |
| Colour | Black |
| Material flammability class acc. to UL 94 | V-0 |



Pushing Performance
Since 1945

Material properties

| | |
|--------------------------------------|------------------------------|
| RoHS | compliant |
| ELV status | compliant |
| China RoHS | e |
| REACH Annex XVII substances | Not contained |
| REACH ANNEX XIV substances | Not contained |
| REACH SVHC substances | Not contained |
| California Proposition 65 substances | Not contained |
| Fire protection on railway vehicles | EN 45545-2 (2020-08) |
| Requirement set with Hazard Levels | R22 (HL 1-3) R23 (HL 1-3) |

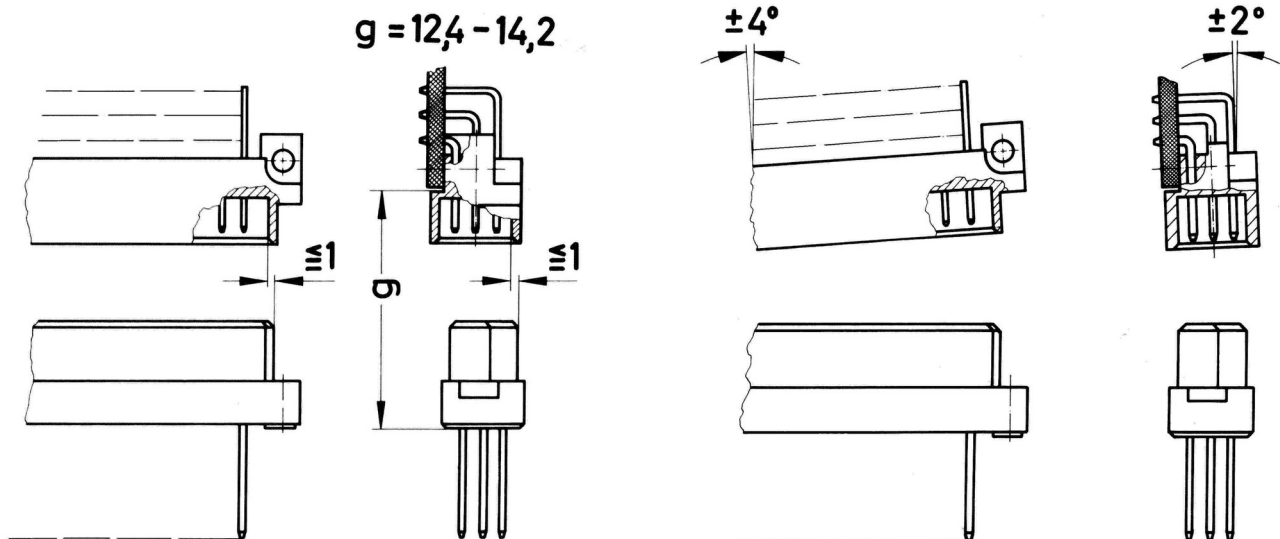
Specifications and approvals

| | |
|------------------------|--|
| UL / CSA | UL 1977 ECBT2.E102079 CSA-C22.2 No. 182.3 ECBT8.E102079 |
| Railway classification | F1/I2 acc. to NFF 16-101/102 |

Commercial data

| | |
|--------------------------------|--|
| Packaging size | 20 |
| Net weight | 1.28 g |
| Country of origin | Romania |
| European customs tariff number | 85389099 |
| GTIN | 5713140197787 |
| eCl@ss | 27460201 PCB connector (board connector) |

Mating conditions



To ensure reliable connections and prevent unnecessary damage, please refer to the application data diagrams. These recommendations are set out in IEC 60603-2. The connectors should not be coupled and decoupled under electrical load.