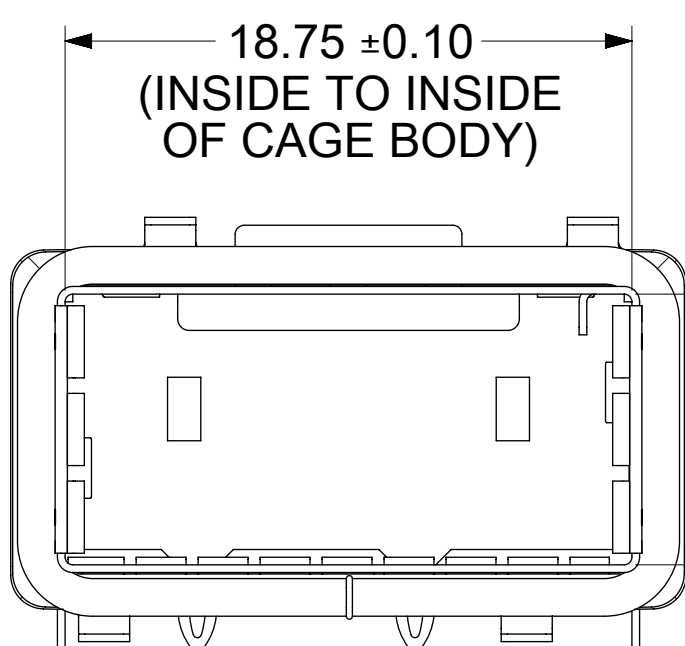
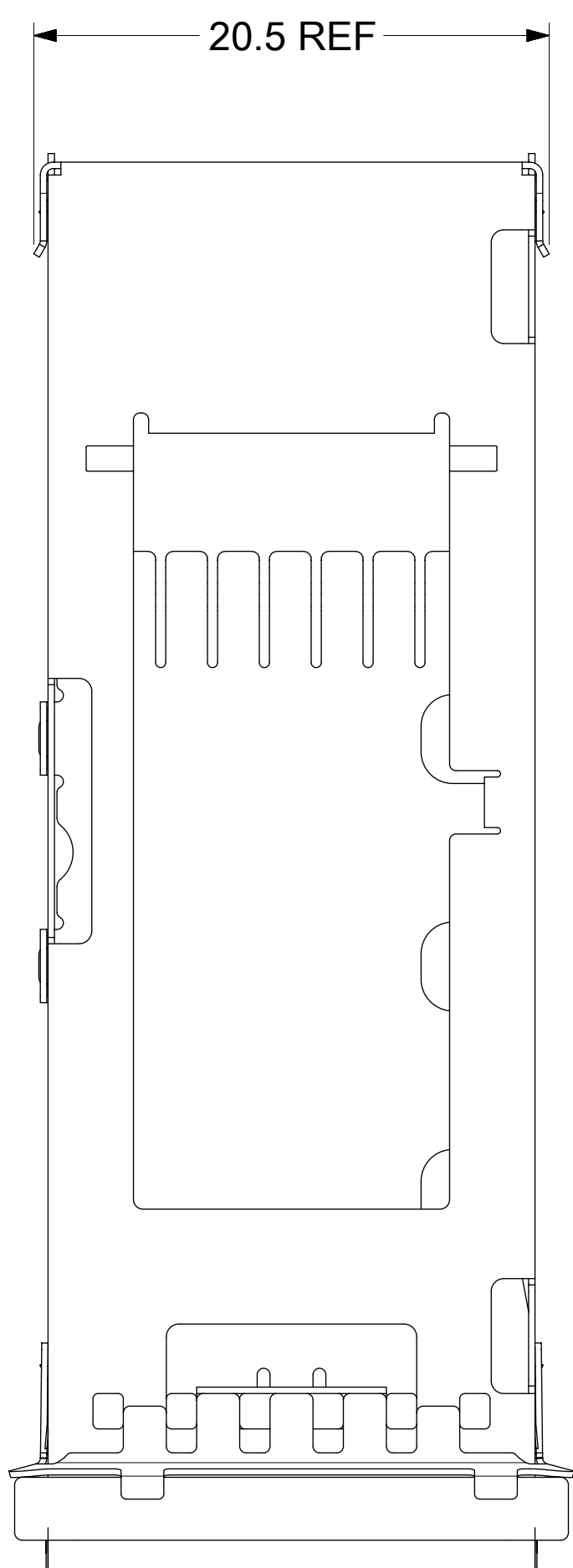


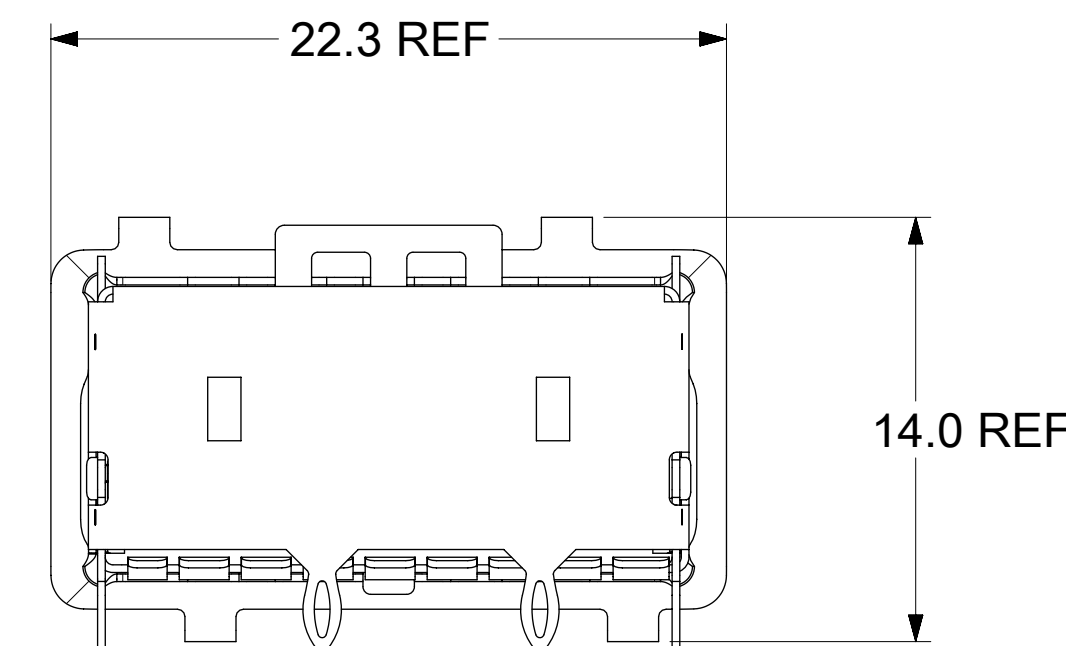
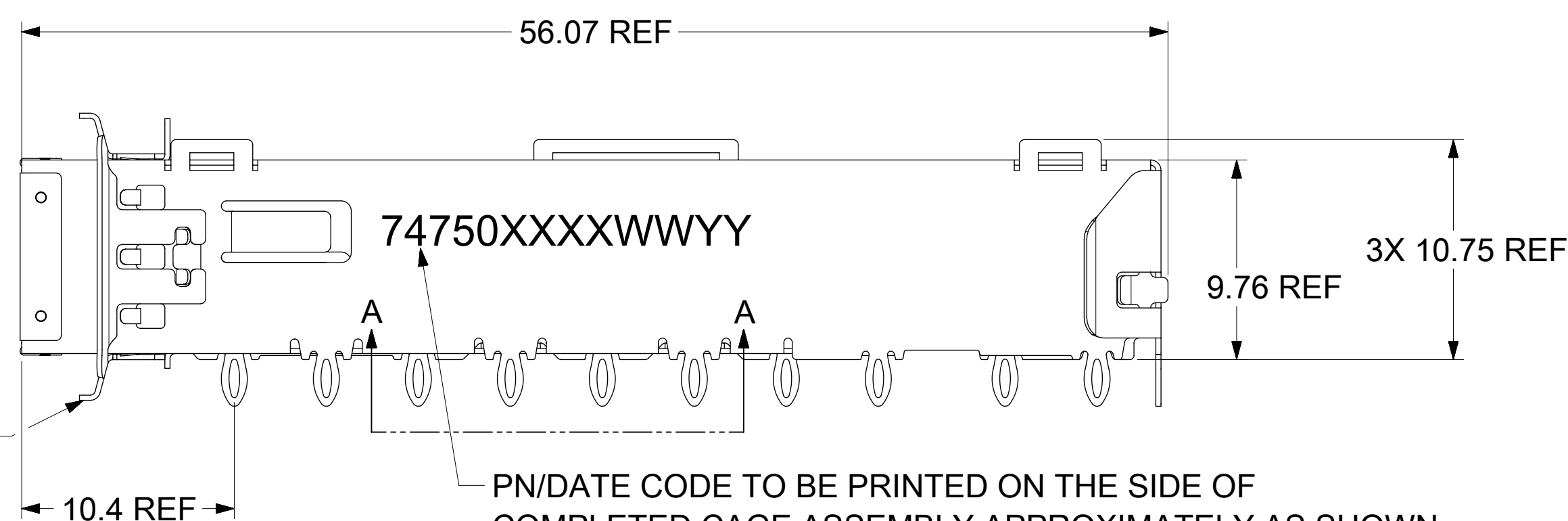
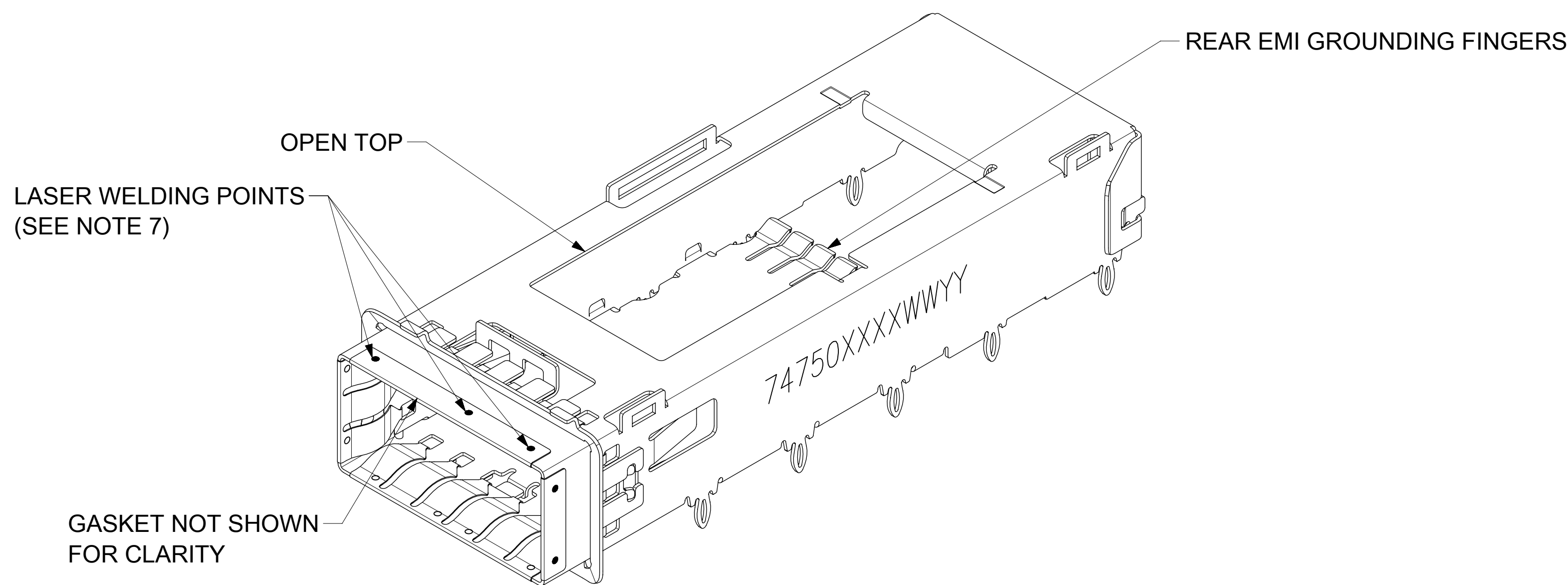
BASE CAGE DETAILS

747503601 SHOWN



NOTE:
INTERNAL SPRING FINGERS
REMOVED FROM THIS VIEW FOR CLARITY.

GASKET NOT SHOWN
FOR CLARITY

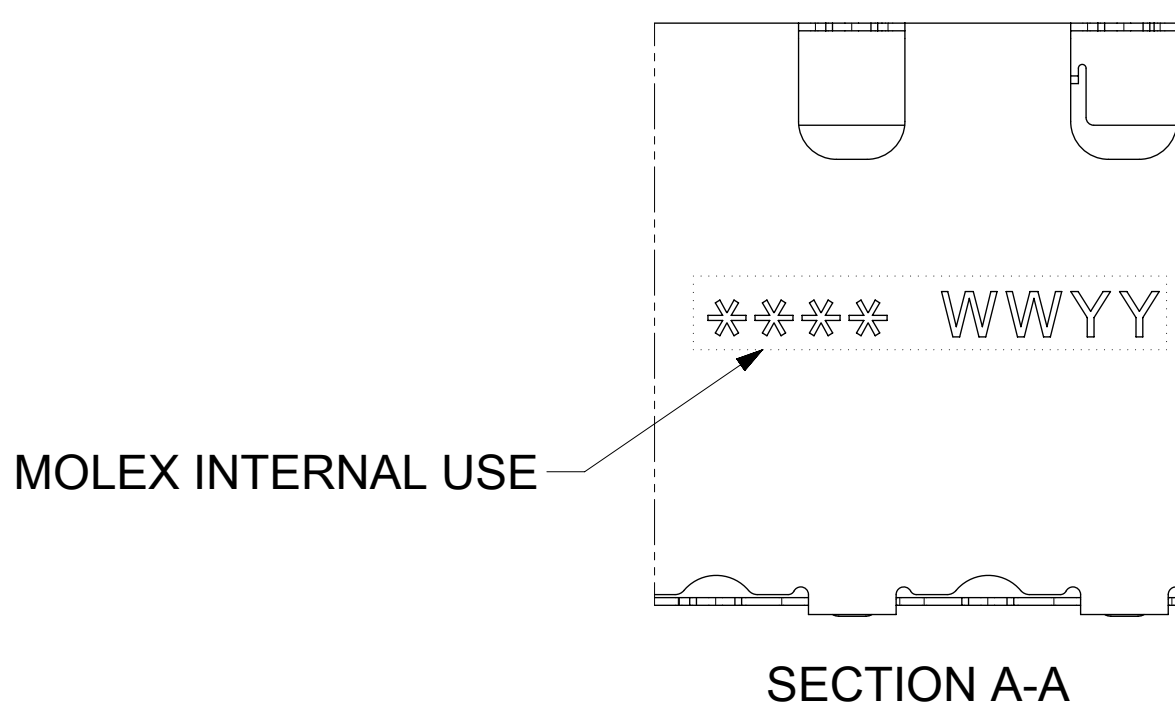


NOTE:
GASKET REMOVED FROM THIS
VIEW FOR CLARITY.

| WEEK/YEAR DATE CODE TABLE | |
|---------------------------|--|
| WW | 01 THRU 52 OR 53 EXAMPLE: 01 = FIRST WEEK OF YEAR 52 = LAST WEEK OF YEAR |
| YY | 22, 23, 24 ETC. EXAMPLE: YEAR 2022 = 22 |

| ITEM NO. | FG PART NUMBER | HEIGHT FROM STAND-OFF HS | SHEET |
|----------|----------------|--------------------------|-------|
| 1 | 747503600 | 16.9 | 2 |
| 2 | 747503601 | 17.9 | 3 |

- NOTES:
- PRESS FIT LEGS 2.28mm LONG
 - MATERIAL:
CAGE: 0.25mm THICK COPPER ALLOY, NICKEL PLATED
SPRING FINGERS: STAINLESS STEEL
LIGHT PIPE/HEAT SINK CLIP: STAINLESS STEEL
LIGHT PIPES: POLYCARBONATE (UL 94-V0 RATED)
HEATSINKS: ALUMINUM (NICKEL PLATED).
ELASTOMERIC GASKET: AgAI IN SILICONE
 - CUSTOM HEATSINKS AVAILABLE UPON REQUEST
 - QSFP+ ASSEMBLES ALSO AVAILABLE IN 1X2 (74767 SERIES), 1X3 (74768 SERIES), 1X4 (74769 SERIES) AND 1X6 (74771 SERIES).
 - PACKAGED IN TRAYS.
 - NO RoHS EXEMPTIONS.
 - WELD SPOTS MAY SHOW SLIGHT MATERIAL DISCOLORATION



THIS DRAWING CONTAINS INFORMATION THAT IS PROPRIETARY TO MOLEX ELECTRONIC TECHNOLOGIES, LLC AND SHOULD NOT BE USED WITHOUT WRITTEN PERMISSION

| | | | |
|--|---------|--------------------------------------|-----------------|
| DIMENSION UNITS | SCALE | CURRENT REV DESC: SEE REVISION TABLE | |
| mm | 4:1 | | |
| GENERAL TOLERANCES (UNLESS SPECIFIED) | | | |
| ANGULAR TOL | ± 1.0° | | |
| 4 PLACES | ± | EC NO: 712623 | |
| 3 PLACES | ± | DRWN: PKH | 2022/05/23 |
| 2 PLACES | ± 0.13 | CHK'D: VISHNM2 | 2022/06/29 |
| 1 PLACE | ± 0.25 | APPR: SCHIEN | 2022/07/07 |
| 0 PLACES | ± | INITIAL REVISION: | |
| DRAFT WHERE APPLICABLE MUST REMAIN WITHIN DIMENSIONS | | DRWN: PKH | 2022/05/23 |
| | | APPR: SCHIEN | 2022/07/07 |
| THIRD ANGLE PROJECTION | DRAWING | SERIES | MATERIAL NUMBER |
| | D-SIZE | 74750 | SEE P/N TABLE |
| | | CUSTOMER | SHEET NUMBER |
| | | | 1 OF 8 |

molex

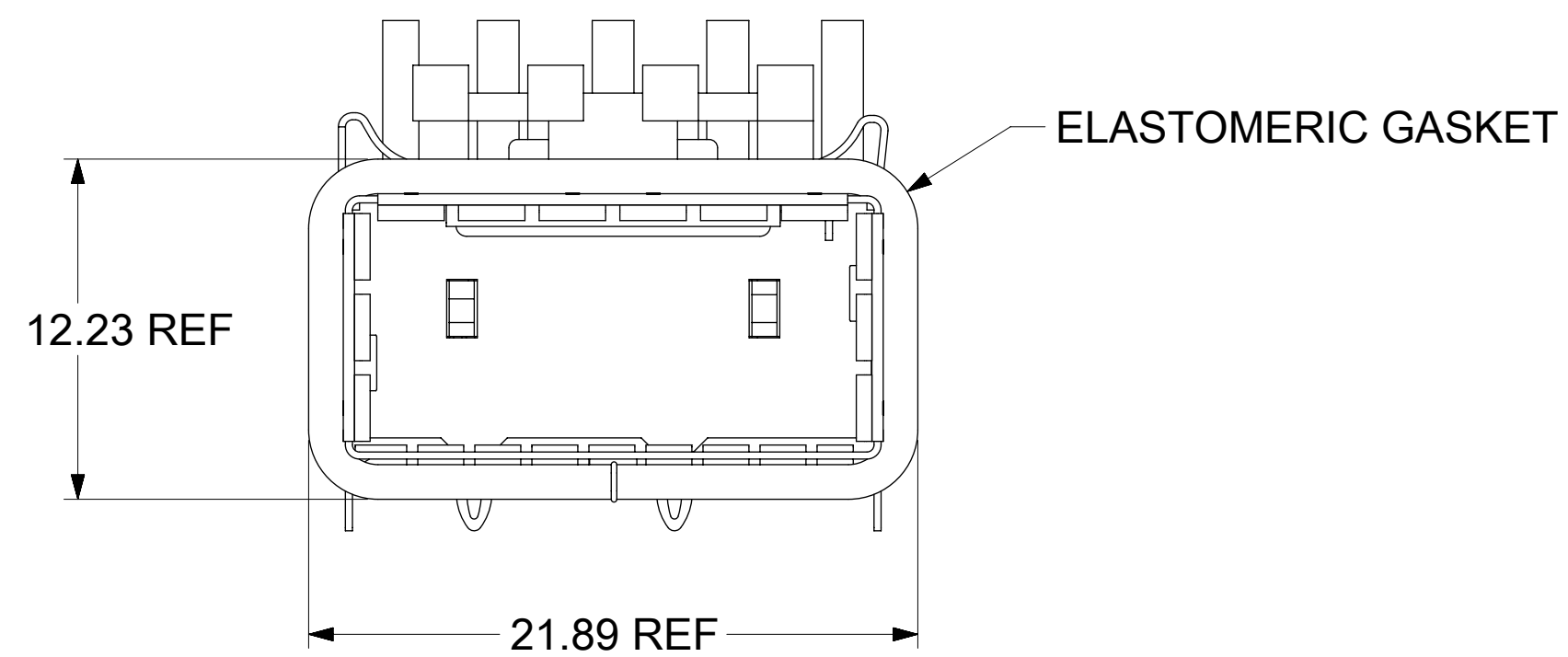
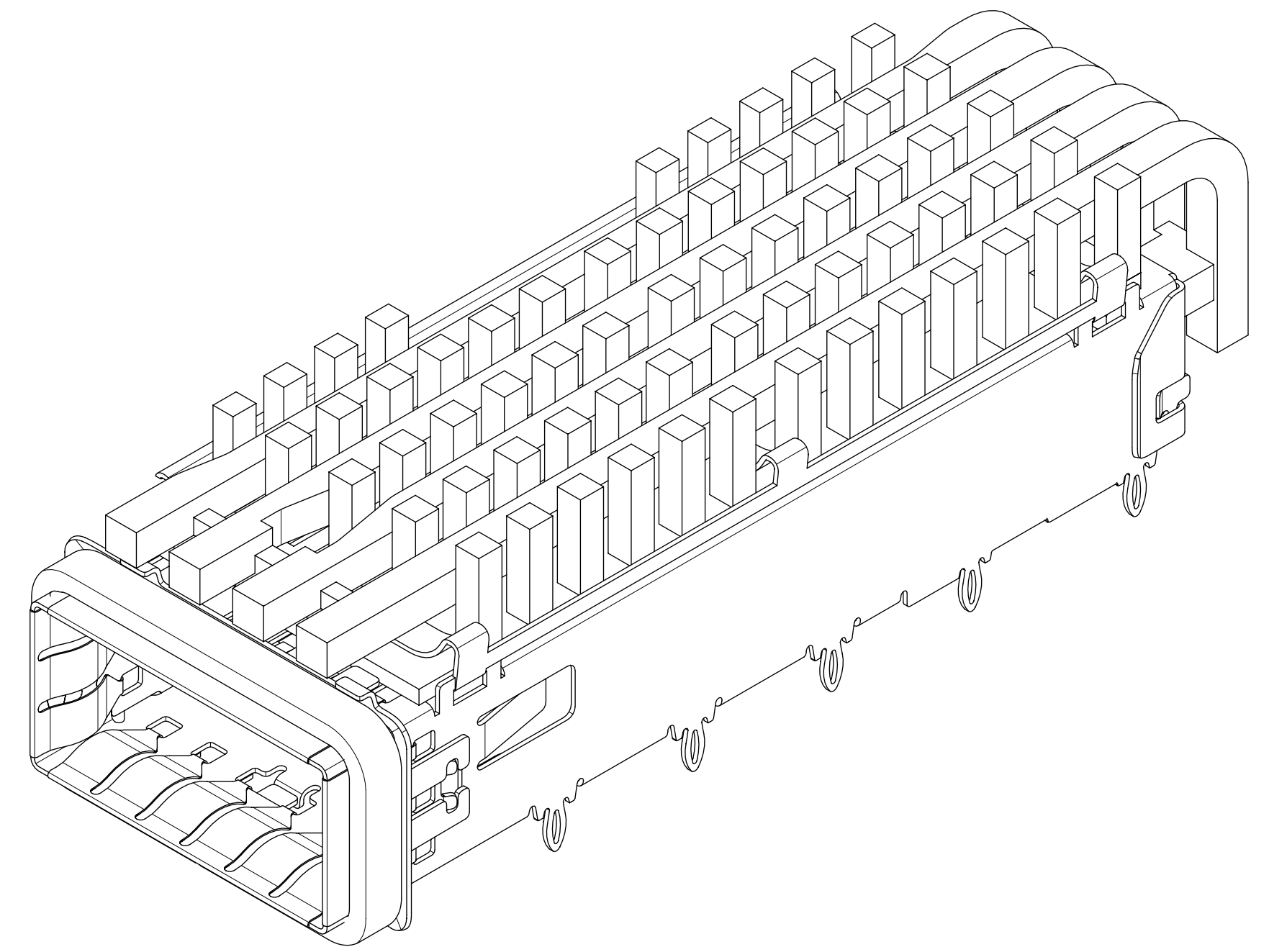
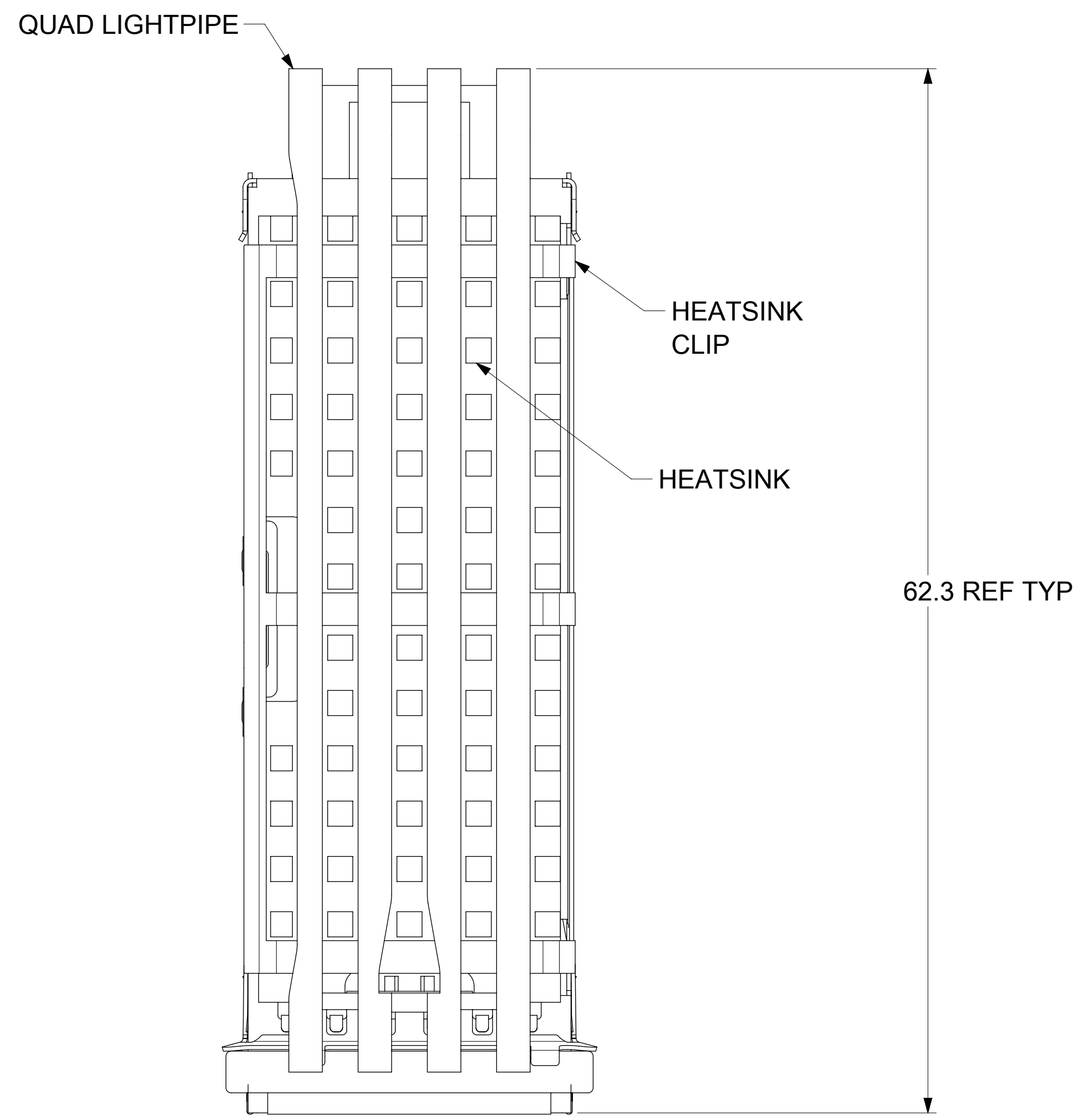
QSFP+ 1X1 CAGE ASSEMBLY 2RL
W/ ELASTOMERIC GASKET, QUAD LP, SUS SPRING FINGER & CUSTOM HS

PRODUCT CUSTOMER DRAWING

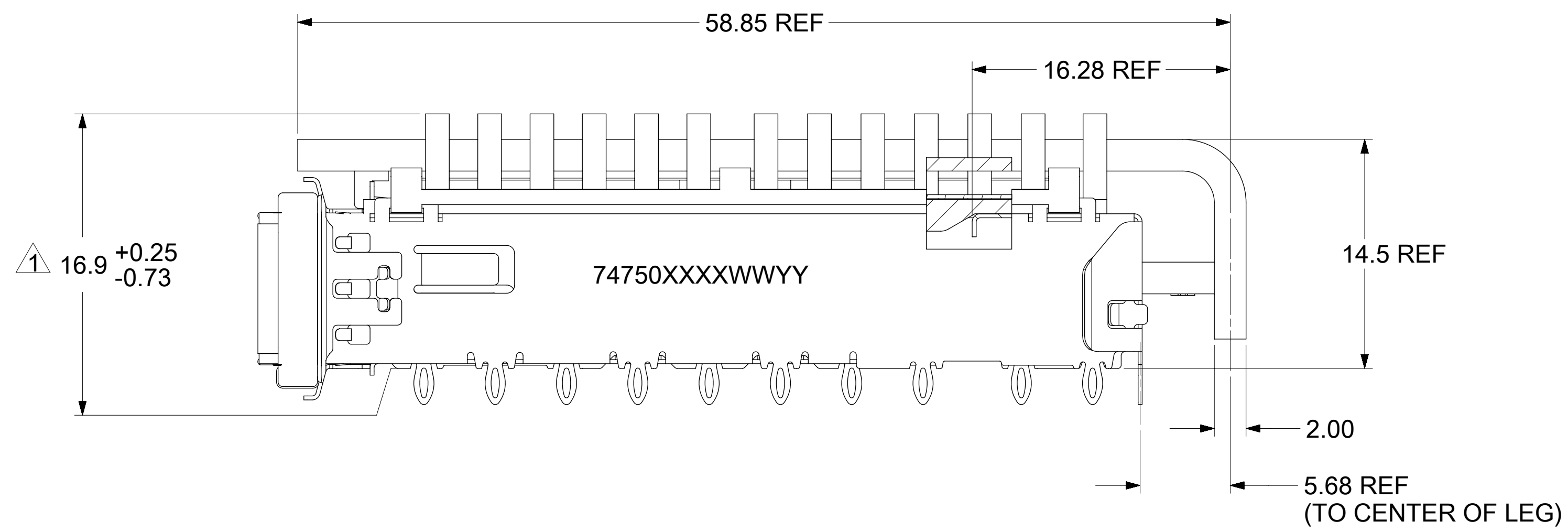
| | | | |
|-----------------|----------|----------|----------|
| DOCUMENT NUMBER | DOC TYPE | DOC PART | REVISION |
| 747503601 | PSD | ASY | A |

CAGE ASSEMBLY

747503601 SHOWN



GASKET FRAME HAS BEEN REMOVED FOR CLARITY



HEIGHT OF HEATSINK WITH MODULE INSERTED.
DIMENSION MAY BE LESS DUE TO MODULE AND HEATSINK VARIATIONS.

| | | | | | | | | | |
|---|--|-------|--|--------------------------------------|--|---------------|--|--------------|--|
| THIS DRAWING CONTAINS INFORMATION THAT IS PROPRIETARY TO MOLEX ELECTRONIC TECHNOLOGIES, LLC AND SHOULD NOT BE USED WITHOUT WRITTEN PERMISSION | | | | | | | | | |
| DIMENSION UNITS | | SCALE | | CURRENT REV DESC: SEE REVISION TABLE | | | | | |
| mm | | 4:1 | | | | | | | |
| GENERAL TOLERANCES (UNLESS SPECIFIED) | | | | | | | | | |
| ANGULAR TOL ± 1.0° | | | | | | | | | |
| 4 PLACES ± | | | | EC NO: 712623 | | | | | |
| 3 PLACES ± | | | | DRWN: PKH | | 2022/05/23 | | | |
| 2 PLACES ± 0.13 | | | | CHK'D: VISHNM2 | | 2022/06/29 | | | |
| 1 PLACE ± 0.25 | | | | APPR: SCHIEN | | 2022/07/07 | | | |
| 0 PLACES ± | | | | INITIAL REVISION: | | | | | |
| | | | | DRWN: PKH | | 2022/05/23 | | | |
| | | | | APPR: SCHIEN | | 2022/07/07 | | | |
| DRAFT WHERE APPLICABLE MUST REMAIN WITHIN DIMENSIONS | | | | THIRD ANGLE PROJECTION | | DRAWING | | SERIES | |
| | | | | | | D-SIZE | | 74750 | |
| | | | | MATERIAL NUMBER | | CUSTOMER | | SHEET NUMBER | |
| | | | | 747503601 | | SEE P/N TABLE | | 2 OF 8 | |

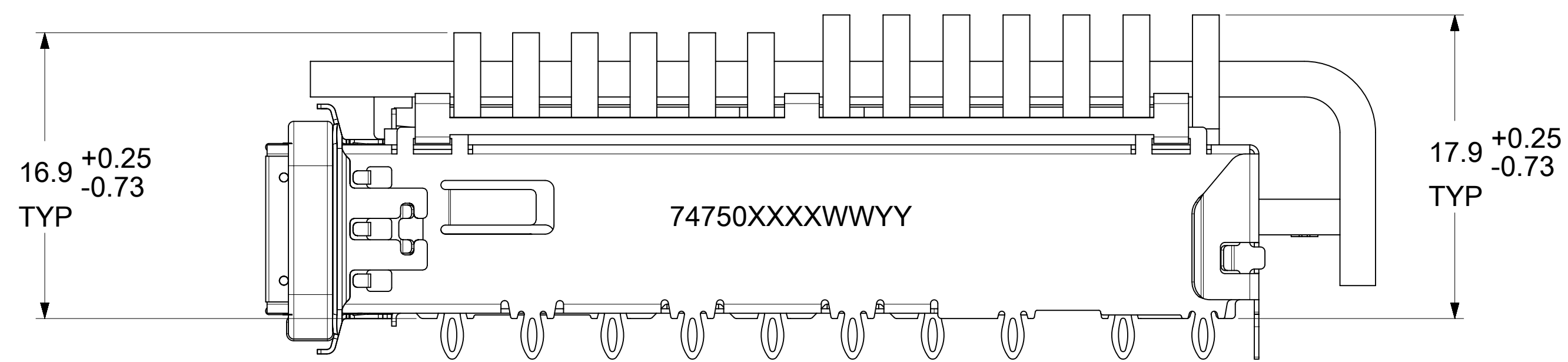
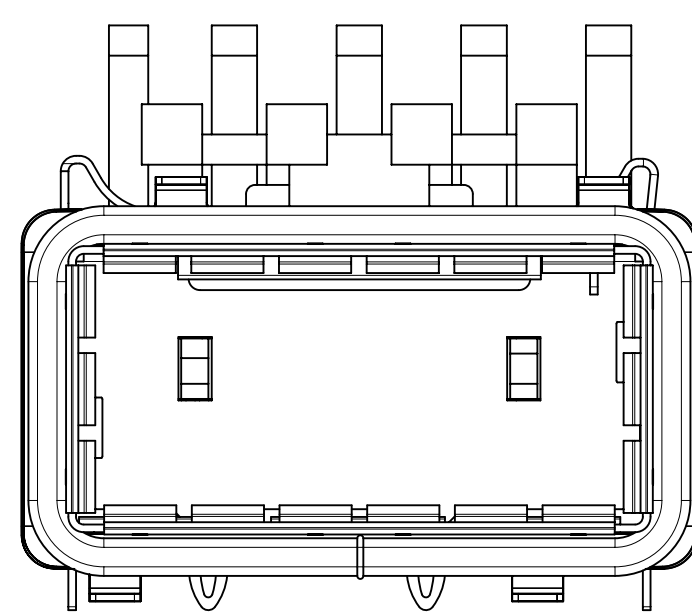
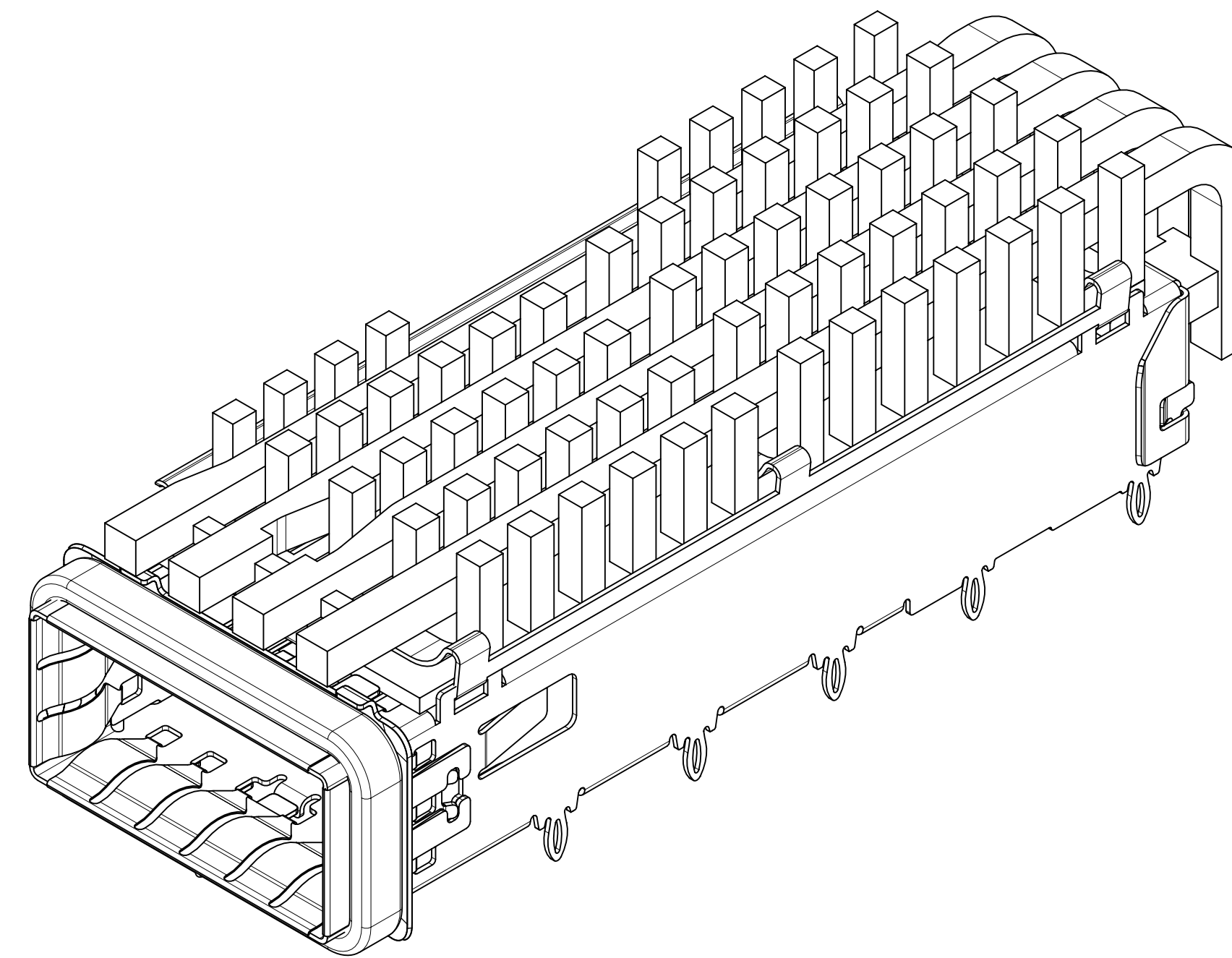
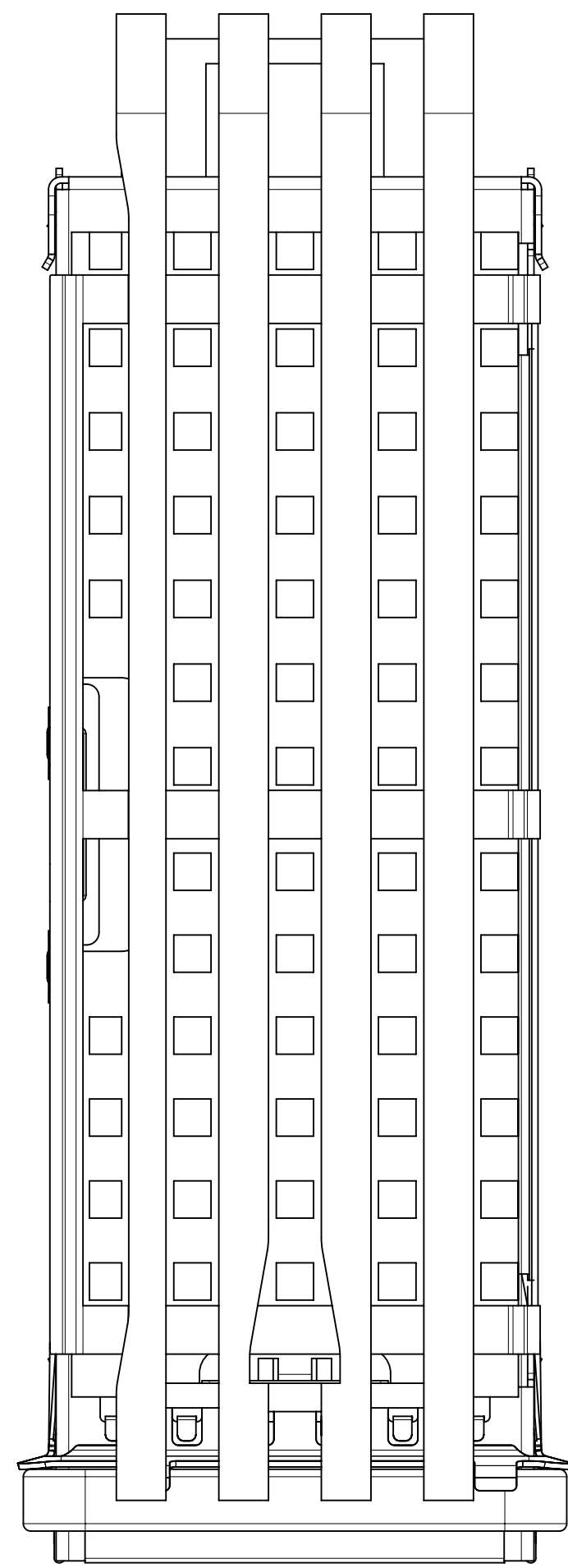
molex

QSFP+ 1X1 CAGE ASSEMBLY 2RL
W/ ELASTOMERIC GASKET, QUAD LP, SUS SPRING
FINGER & CUSTOM HS

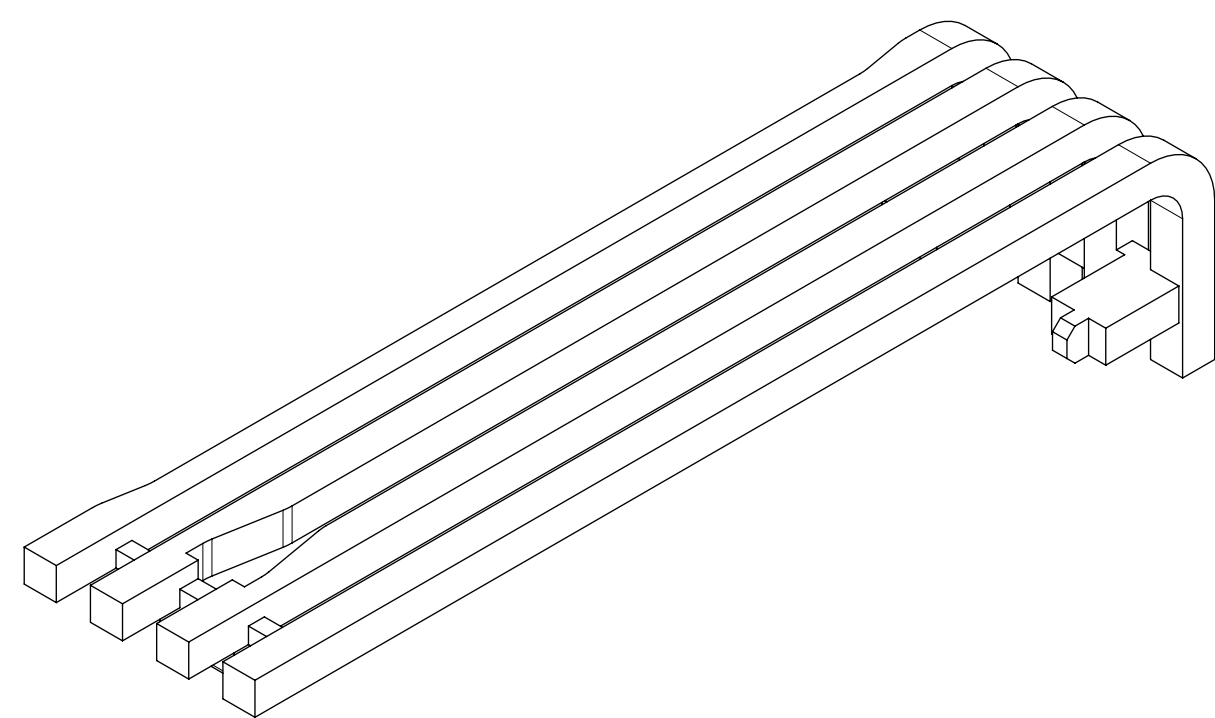
PRODUCT CUSTOMER DRAWING

| | | | |
|-----------------|----------|----------|----------|
| DOCUMENT NUMBER | DOC TYPE | DOC PART | REVISION |
| 747503601 | PSD | ASY | A |

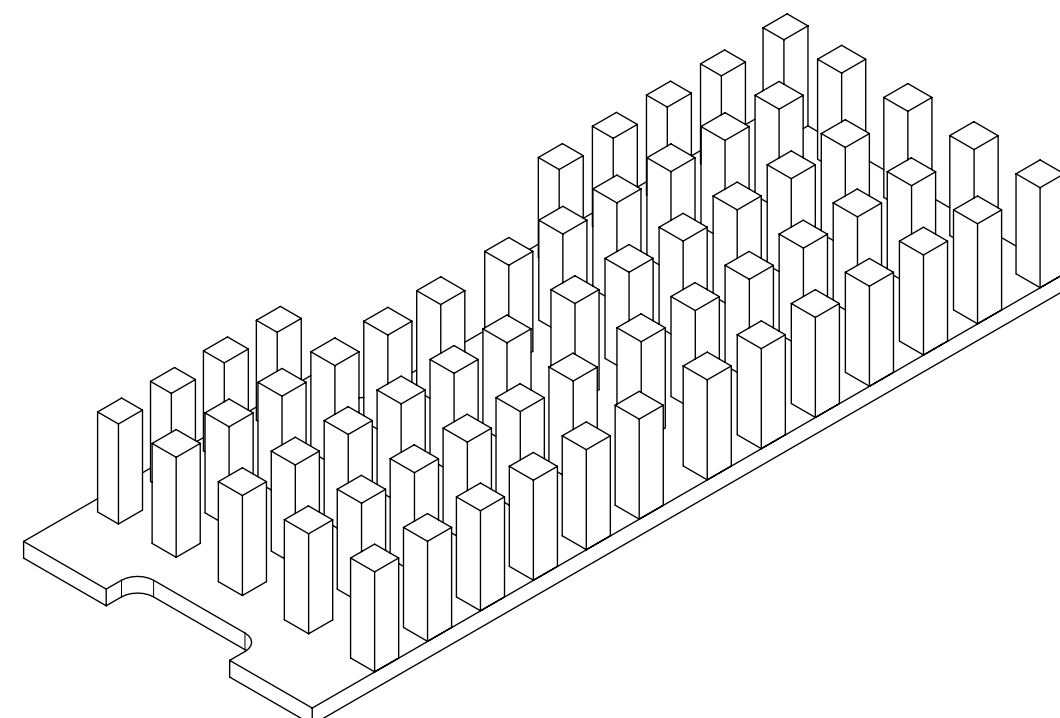
747503600 SHOWN



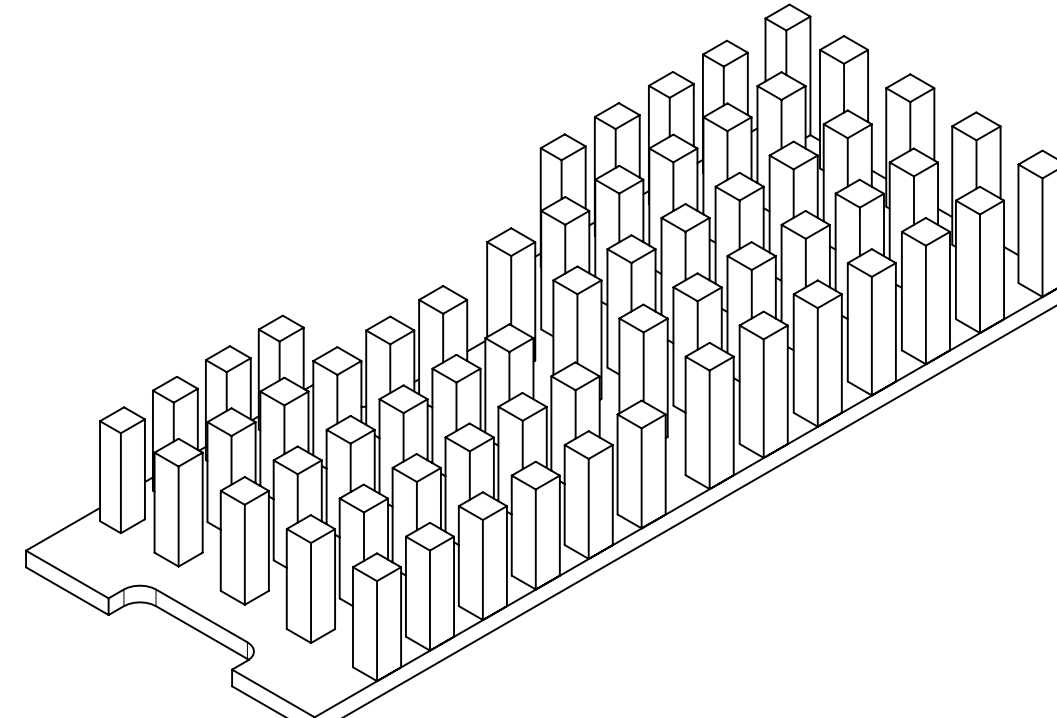
QUAD LIGHT PIPE



CUSTOM HEATSINK



CUSTOM HEATSINK



| | | | | | | | | | | | |
|---|--|--------|--|--------------------------------------|--|---------|--|------------|--|-----------------|--|
| THIS DRAWING CONTAINS INFORMATION THAT IS PROPRIETARY TO MOLEX ELECTRONIC TECHNOLOGIES, LLC AND SHOULD NOT BE USED WITHOUT WRITTEN PERMISSION | | | | | | | | | | | |
| DIMENSION UNITS | | SCALE | | CURRENT REV DESC: SEE REVISION TABLE | | | | | | | |
| mm | | 5:1 | | | | | | | | | |
| GENERAL TOLERANCES (UNLESS SPECIFIED) | | | | | | | | | | | |
| ANGULAR TOL ± 1.0° | | | | | | | | | | | |
| 4 PLACES | | ± | | EC NO: 712623 | | | | | | | |
| 3 PLACES | | ± | | DRWN: PKH | | | | 2022/05/23 | | | |
| 2 PLACES | | ± 0.13 | | CHK'D: VISHNM2 | | | | 2022/06/29 | | | |
| 1 PLACE | | ± 0.25 | | APPR: SCHIEN | | | | 2022/07/07 | | | |
| 0 PLACES | | ± | | INITIAL REVISION: | | | | | | | |
| | | | | DRWN: PKH | | | | 2022/05/23 | | | |
| | | | | APPR: SCHIEN | | | | 2022/07/07 | | | |
| DRAFT WHERE APPLICABLE MUST REMAIN WITHIN DIMENSIONS | | | | THIRD ANGLE PROJECTION | | DRAWING | | SERIES | | MATERIAL NUMBER | |
| | | | | | | D-SIZE | | 74750 | | SEE P/N TABLE | |
| | | | | | | | | | | CUSTOMER | |
| | | | | | | | | | | SHEET NUMBER | |
| | | | | | | | | | | 3 OF 8 | |

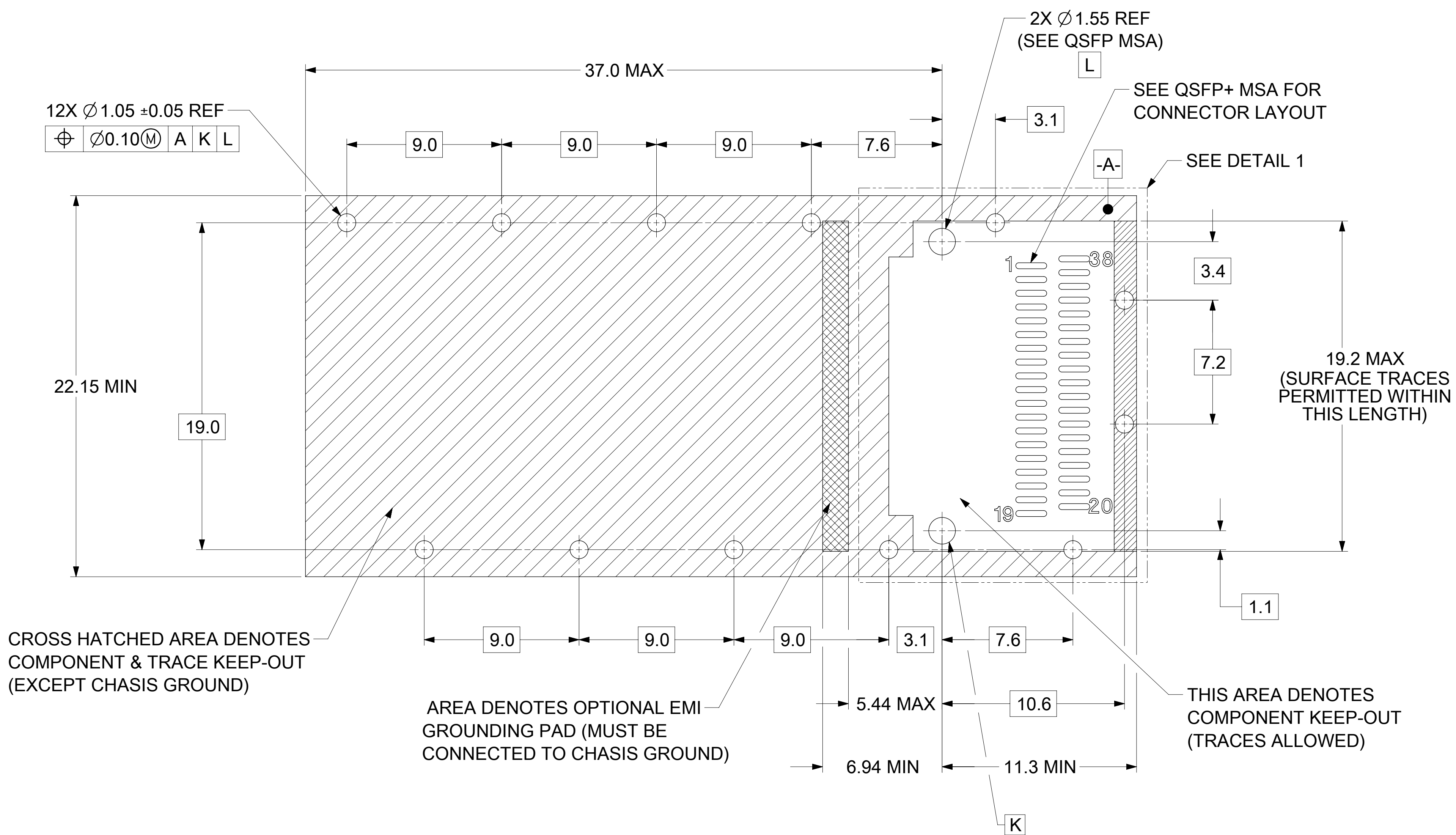
molex

QSFP+ 1X1 CAGE ASSEMBLY 2RL
W/ ELASTOMERIC GASKET, QUAD LP, SUS SPRING
FINGER & CUSTOM HS

PRODUCT CUSTOMER DRAWING

| | | | |
|-----------------|----------|----------|----------|
| DOCUMENT NUMBER | DOC TYPE | DOC PART | REVISION |
| 747503601 | PSD | ASY | A |

PCB LAYOUT FOR SINGLE SIDED APPLICATIONS

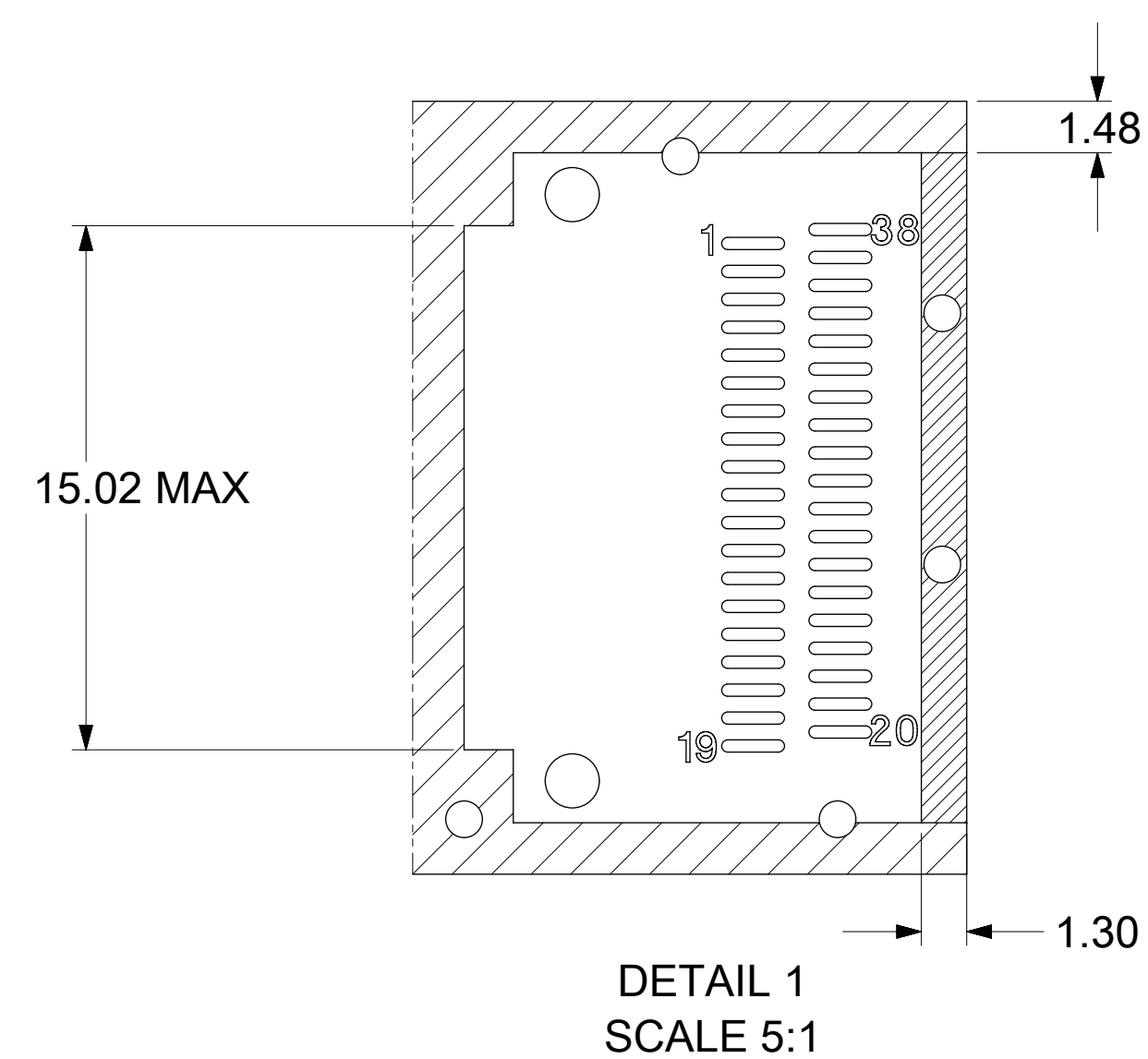


CROSS HATCHED AREA DENOTES COMPONENT & TRACE KEEP-OUT (EXCEPT CHASSIS GROUND)

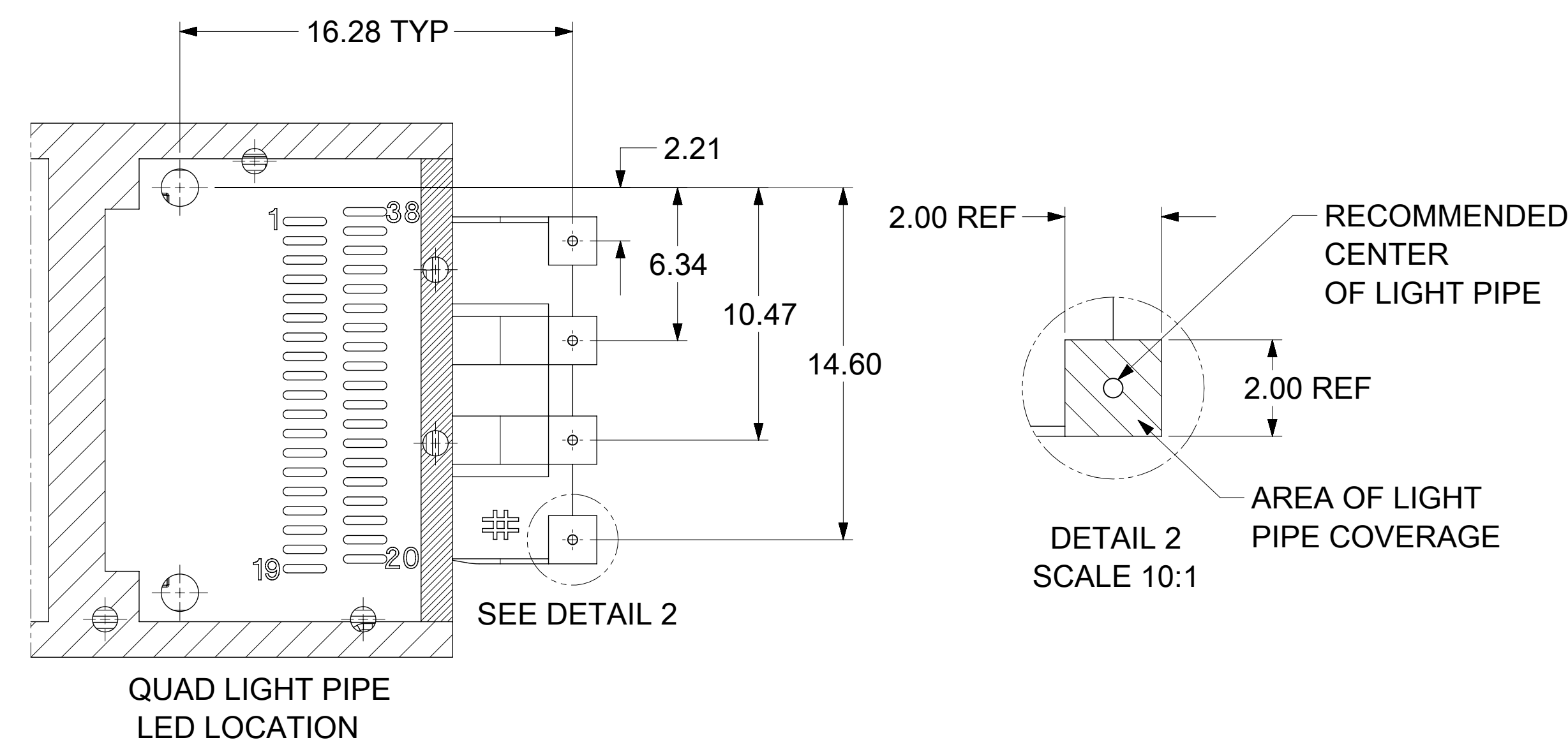
AREA DENOTES OPTIONAL EMI GROUNDING PAD (MUST BE CONNECTED TO CHASSIS GROUND)

THIS AREA DENOTES COMPONENT KEEP-OUT (TRACES ALLOWED)

HOST CONNECTOR DETAIL



FOR CAGE ASSEMBLIES WITH LIGHT PIPES



QUAD LIGHT PIPE LED LOCATION

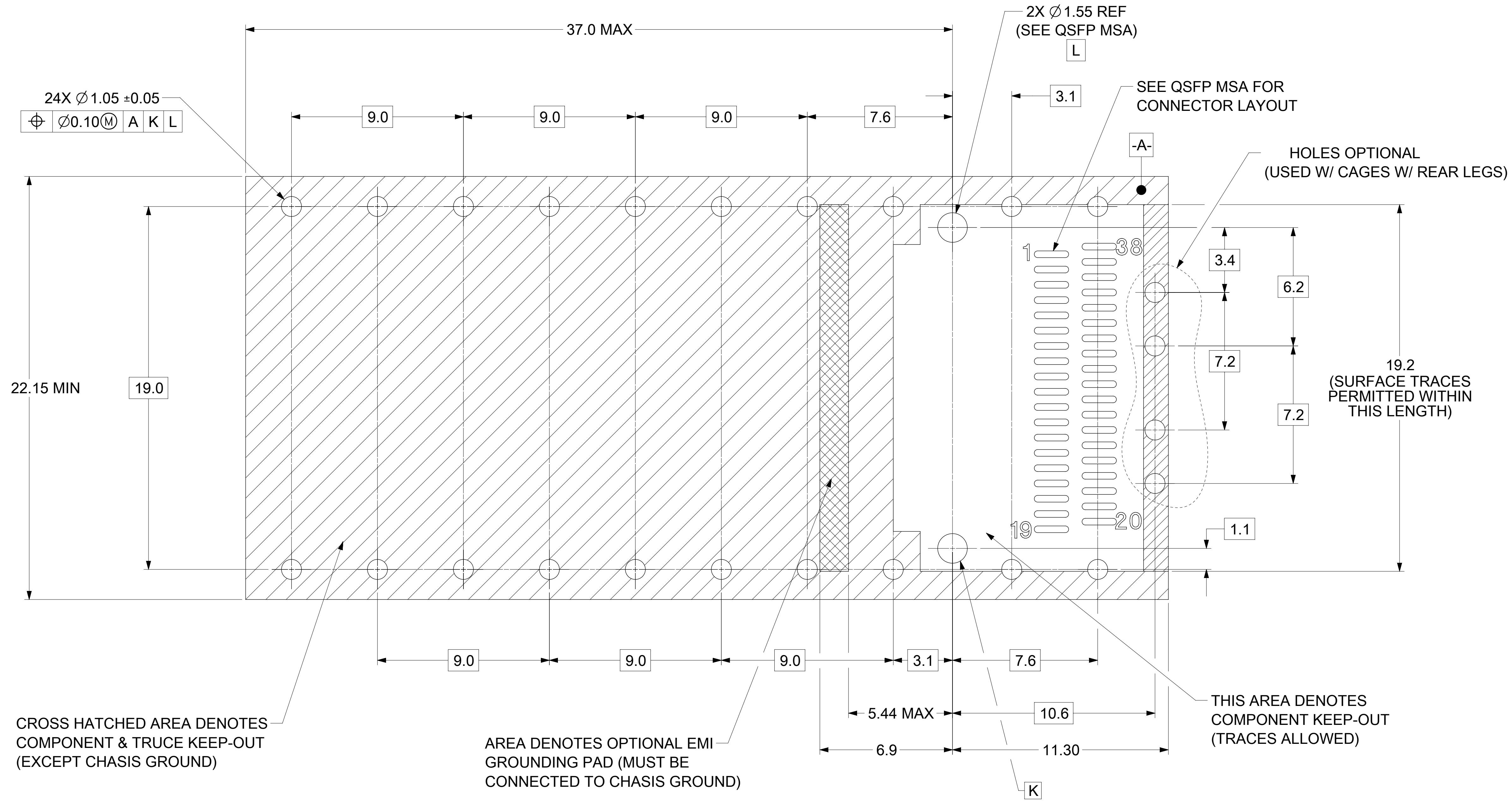
PARTIAL 1 SCALE 4:1

NOTES:

- DATUM -A- IS TOP SURFACE OF HOST BOARD PER MSA
- FINISHED HOLE SIZE (AFTER PLATING)
- DATUM -K- IS HOST BOARD THRU HOLE #1 TO ACCEPT CONNECTOR GUIDE POST PER MSA
- DATUM -L- IS HOST BOARD THRU HOLE #2 TO ACCEPT CONNECTOR GUIDE POST PER MSA
- SINGLE SIDED BOARD THICKNESS:
NOMINAL: 1.57mm
MINIMUM: 1.44mm

| THIS DRAWING CONTAINS INFORMATION THAT IS PROPRIETARY TO MOLEX ELECTRONIC TECHNOLOGIES, LLC AND SHOULD NOT BE USED WITHOUT WRITTEN PERMISSION | | | | | | | | | |
|---|--------|---|------------|---------------|---|--|--|--|--|
| DIMENSION UNITS | SCALE | CURRENT REV DESC: SEE REVISION TABLE | | | | | | | |
| mm | 6:1 | <p>molex</p> <p>QSFP+ 1X1 CAGE ASSEMBLY 2RL W/ ELASTOMERIC GASKET, QUAD LP, SUS SPRING FINGER & CUSTOM HS</p> <p>PRODUCT CUSTOMER DRAWING</p> <p>DOCUMENT NUMBER: 747503601 DOC TYPE: PSD DOC PART: ASY REVISION: A</p> <p>MATERIAL NUMBER: SEE P/N TABLE CUSTOMER: SHEET NUMBER: 4 OF 8</p> | | | | | | | |
| GENERAL TOLERANCES (UNLESS SPECIFIED) | | | | | | | | | |
| ANGULAR TOL | ± 1.0° | | | | | | | | |
| 4 PLACES | ± | | | | | | | | |
| 3 PLACES | ± | | | | | | | | |
| 2 PLACES | ± 0.13 | | | | | | | | |
| 1 PLACE | ± 0.25 | EC NO: 712623 | DRWN: PKH | 2022/05/23 | <p>INITIAL REVISION:</p> <p>DRWN: PKH 2022/05/23</p> <p>APPR: SCHIEN 2022/07/07</p> | | | | |
| 0 PLACES | ± | DRWN: PKH | 2022/05/23 | | | | | | |
| DRAFT WHERE APPLICABLE MUST REMAIN WITHIN DIMENSIONS | | THIRD ANGLE PROJECTION | DRAWING | SERIES | | | | | |
| | | D-SIZE | 74750 | SEE P/N TABLE | | | | | |

PCB LAYOUT FOR BELLY-TO-BELLY APPLICATIONS

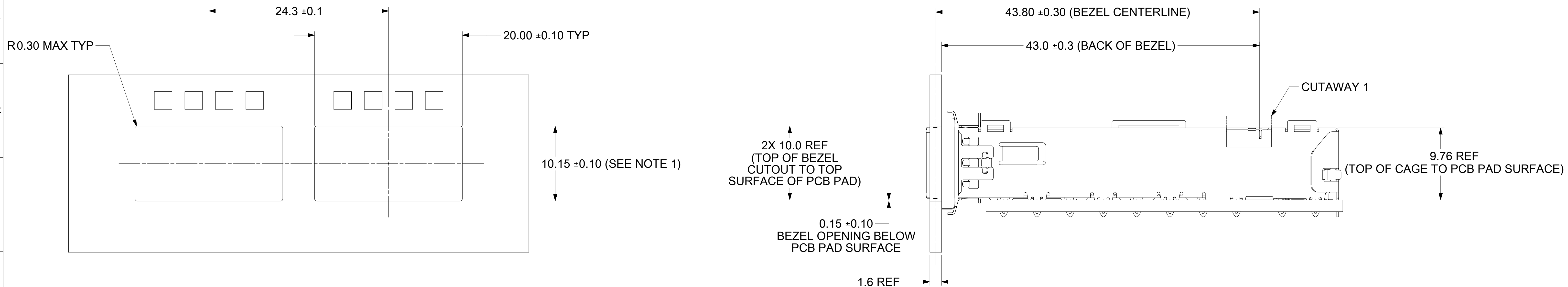


NOTE:
FOR RECOMENDED CENTER
OF LIGHT PIPES,
SEE SHEET 4

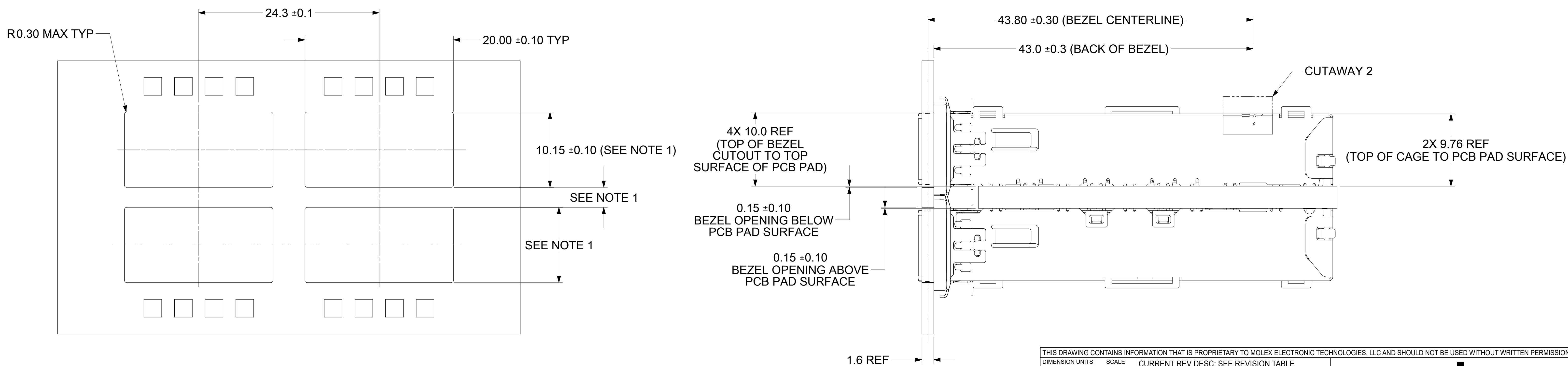
- NOTES:
- DATUM -A- IS TOP SURFACE OF HOST BOARD PER MSA
 - FINISHED HOLE SIZE (AFTER PLATING)
 - DATUM -K- IS HOST BOARD THRU HOLE #1 TO ACCEPT CONNECTOR GUIDE POST PER MSA
 - DATUM -L- IS HOST BOARD THRU HOLE #2 TO ACCEPT CONNECTOR GUIDE POST PER MSA
 - BELLY TO BELLY BOARD THICKNESS:
NOMINAL: 2.90mm
MINIMUM: 2.48mm

| | | | | | | | | | |
|---|--------|--|------------|------------|---|--|----------|------------|--------------|
| THIS DRAWING CONTAINS INFORMATION THAT IS PROPRIETARY TO MOLEX ELECTRONIC TECHNOLOGIES, LLC AND SHOULD NOT BE USED WITHOUT WRITTEN PERMISSION | | | | | | | | | |
| DIMENSION UNITS | SCALE | CURRENT REV DESC: SEE REVISION TABLE | | | | | | | |
| mm | 8:1 | <p>molex</p> <p>QSFP+ 1X1 CAGE ASSEMBLY 2RL W/ ELASTOMERIC GASKET, QUAD LP, SUS SPRING FINGER & CUSTOM HS</p> <p>PRODUCT CUSTOMER DRAWING</p> | | | | | | | |
| GENERAL TOLERANCES (UNLESS SPECIFIED) | | | | | | | | | |
| ANGULAR TOL | ± 1.0° | | | | | | | | |
| 4 PLACES | ± | | | | | | | | |
| 3 PLACES | ± | | | | | | | | |
| 2 PLACES | ± 0.13 | | | | | | | | |
| 1 PLACE | ± 0.25 | EC NO: 712623 | 2022/05/23 | | DRWN: PKH CHK'D: VISHNM2 APPR: SCHIEN | | | 2022/06/29 | |
| 0 PLACES | ± | INITIAL REVISION: | | 2022/07/07 | | | | | |
| DRAFT WHERE APPLICABLE MUST REMAIN WITHIN DIMENSIONS | | THIRD ANGLE PROJECTION | DRAWING | SERIES | MATERIAL NUMBER | | CUSTOMER | | SHEET NUMBER |
| | | | D-SIZE | 74750 | SEE P/N TABLE | | | | 5 OF 8 |

BEZEL AND BOARD POSITION DIMENSIONS FOR SINGLE SIDE MOUNTING



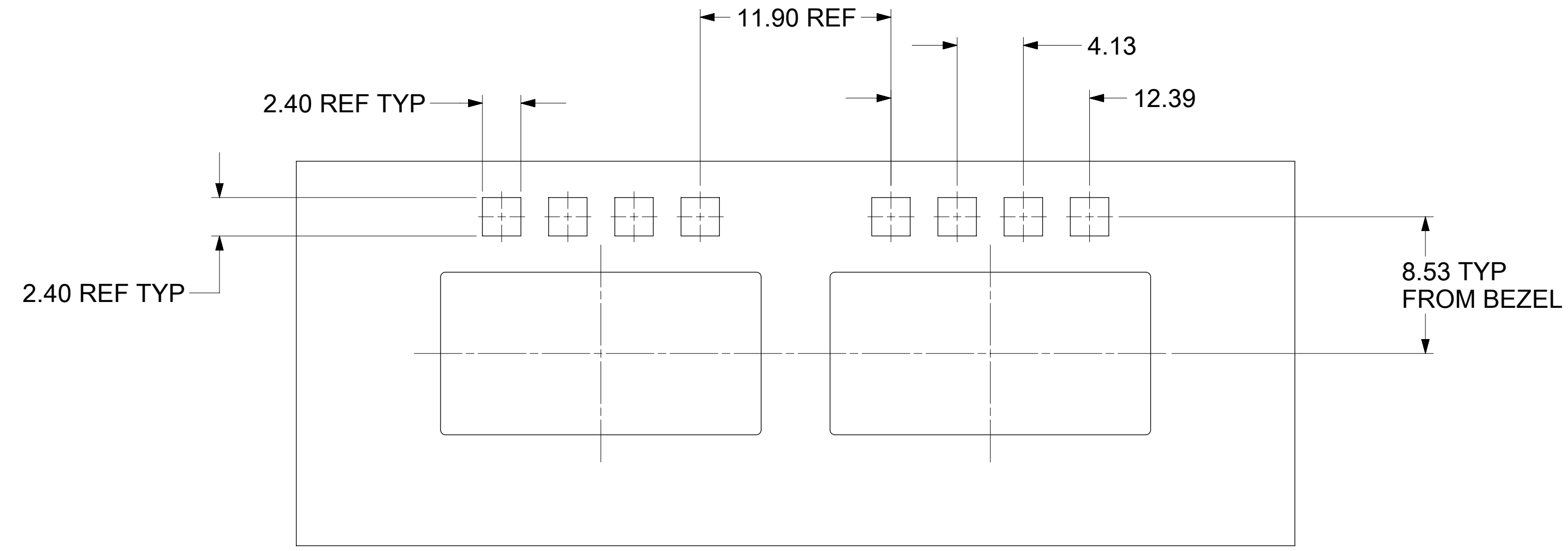
BEZEL AND BOARD POSITION DIMENSIONS FOR BELLY TO BELLY MOUNTING



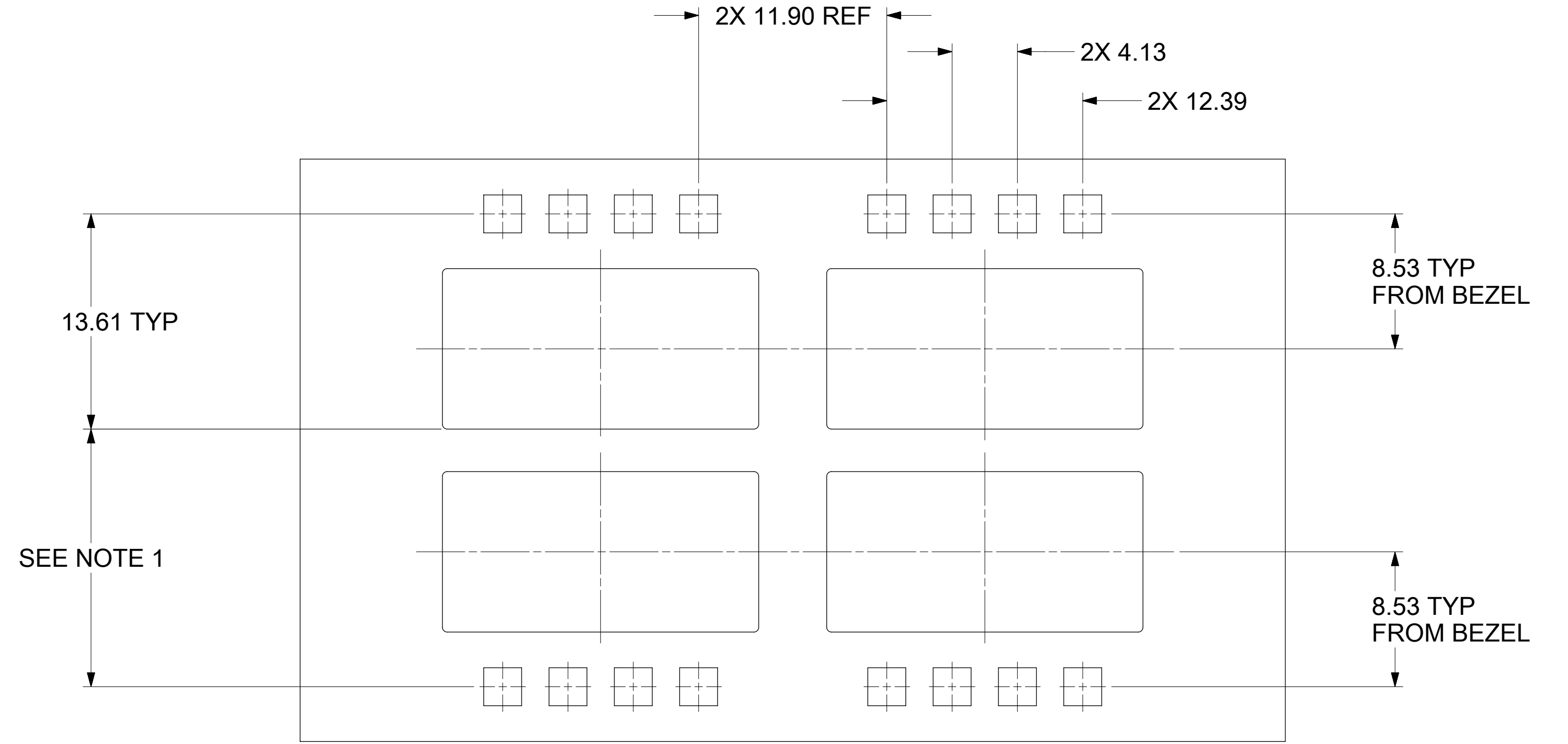
NOTE:
1. PCB THICKNESS VARIATION MUST BE CONSIDERED WHEN DETERMINING
BEZEL OPENING, SIZE, AND LOCATION.

| | | | | | | | | | | | |
|---|-------|---|--|-----------------|--|---------------|--|--------------|--|--|--|
| THIS DRAWING CONTAINS INFORMATION THAT IS PROPRIETARY TO MOLEX ELECTRONIC TECHNOLOGIES, LLC AND SHOULD NOT BE USED WITHOUT WRITTEN PERMISSION | | | | | | | | | | | |
| DIMENSION UNITS | SCALE | CURRENT REV DESC: SEE REVISION TABLE | | | | | | | | | |
| mm | 4:1 | molex | | | | | | | | | |
| GENERAL TOLERANCES (UNLESS SPECIFIED) | | QSFP+ 1X1 CAGE ASSEMBLY 2RL W/ ELASTOMERIC GASKET, QUAD LP, SUS SPRING FINGER & CUSTOM HS | | | | | | | | | |
| ANGULAR TOL ± 1.0° | | PRODUCT CUSTOMER DRAWING | | | | | | | | | |
| 4 PLACES ± | | EC NO: 712623 | | | | | | | | | |
| 3 PLACES ± | | DRWN: PKH | | 2022/05/23 | | | | | | | |
| 2 PLACES ± 0.13 | | CHK'D: VISHNM2 | | 2022/06/29 | | | | | | | |
| 1 PLACE ± 0.25 | | APPR: SCHIEN | | 2022/07/07 | | | | | | | |
| 0 PLACES ± | | INITIAL REVISION: | | | | | | | | | |
| DRAFT WHERE APPLICABLE MUST REMAIN WITHIN DIMENSIONS | | DRWN: PKH | | 2022/05/23 | | | | | | | |
| THIRD ANGLE PROJECTION | | APPR: SCHIEN | | 2022/07/07 | | | | | | | |
| D-DRAWING | | SERIES | | MATERIAL NUMBER | | CUSTOMER | | SHEET NUMBER | | | |
| D-D-SIZE | | 74750 | | SEE P/N TABLE | | SEE P/N TABLE | | 6 OF 8 | | | |

BEZEL LIGHT PIPE CUTOUT POSITION DIMENSIONS FOR SINGLE SIDE MOUNTING



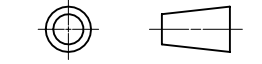
BEZEL LIGHT PIPE CUTOUT POSITION DIMENSIONS FOR BELLY-TO-BELLY MOUNTING



NOTE:
1. PCB THICKNESS VARIATION MUST BE CONSIDERED WHEN DETERMINING BEZEL OPENING, SIZE, AND LOCATION.

| | | | | | | | | | | | |
|---|--|-------|--|--------------------------------------|--|---------|--|-----------------|--|-----------------|--|
| THIS DRAWING CONTAINS INFORMATION THAT IS PROPRIETARY TO MOLEX ELECTRONIC TECHNOLOGIES, LLC AND SHOULD NOT BE USED WITHOUT WRITTEN PERMISSION | | | | | | | | | | | |
| DIMENSION UNITS | | SCALE | | CURRENT REV DESC: SEE REVISION TABLE | | | | | | | |
| mm | | 4:1 | | | | | | | | | |
| GENERAL TOLERANCES (UNLESS SPECIFIED) | | | | EC NO: 712623 | | | | | | | |
| ANGULAR TOL ± 1.0° | | | | DRWN: PKH | | | | 2022/05/23 | | | |
| 4 PLACES ± | | | | CHK'D: VISHNM2 | | | | 2022/06/29 | | | |
| 3 PLACES ± | | | | APPR: SCHIEN | | | | 2022/07/07 | | | |
| 2 PLACES ± 0.13 | | | | INITIAL REVISION: | | | | | | | |
| 1 PLACE ± 0.25 | | | | DRWN: PKH | | | | 2022/05/23 | | | |
| 0 PLACES ± | | | | APPR: SCHIEN | | | | 2022/07/07 | | | |
| DRAFT WHERE APPLICABLE MUST REMAIN WITHIN DIMENSIONS | | | | THIRD ANGLE PROJECTION | | DRAWING | | SERIES | | DOCUMENT NUMBER | |
| | | | | | | D-SIZE | | 74750 | | 747503601 | |
| | | | | | | | | MATERIAL NUMBER | | CUSTOMER | |
| | | | | | | | | SEE P/N TABLE | | 7 OF 8 | |

| REV | DATE | DESCRIPTION |
|-----|------------|-----------------|
| A | 2022/06/25 | INITIAL RELEASE |
| | | |
| | | |
| | | |
| | | |
| | | |
| | | |
| | | |
| | | |
| | | |
| | | |
| | | |
| | | |
| | | |
| | | |
| | | |
| | | |
| | | |
| | | |
| | | |
| | | |
| | | |
| | | |
| | | |
| | | |
| | | |
| | | |
| | | |
| | | |
| | | |
| | | |
| | | |
| | | |
| | | |
| | | |
| | | |
| | | |
| | | |
| | | |
| | | |
| | | |
| | | |
| | | |
| | | |
| | | |
| | | |

| | | | | | | | | | | | |
|---|--------|--|----------|--------------|---------------|--|--|--|--|--|--|
| THIS DRAWING CONTAINS INFORMATION THAT IS PROPRIETARY TO MOLEX ELECTRONIC TECHNOLOGIES, LLC AND SHOULD NOT BE USED WITHOUT WRITTEN PERMISSION | | | | | | | | | | | |
| DIMENSION UNITS | SCALE | CURRENT REV DESC: SEE REVISION TABLE | | | | | | | | | |
| mm | 1:1 | molex | | | | | | | | | |
| GENERAL TOLERANCES (UNLESS SPECIFIED) | | QSFP+ 1X1 CAGE ASSEMBLY 2RL W/ ELASTOMERIC GASKET,QUAD LP, SUS SPRING FINGER & CUSTOM HS | | | | | | | | | |
| ANGULAR TOL | ± 1.0° | PRODUCT CUSTOMER DRAWING | | | | | | | | | |
| 4 PLACES | ± | EC NO: 712623 DRWN: PKH 2022/05/23 CHK'D: VISHNM2 2022/06/29 APPR: SCHIEN 2022/07/07 | | | | | | | | | |
| 3 PLACES | ± | INITIAL REVISION: DRWN: PKH 2022/05/23 APPR: SCHIEN 2022/07/07 | | | | | | | | | |
| 2 PLACES | ± 0.13 | DOCUMENT NUMBER | DOC TYPE | DOC PART | REVISION | | | | | | |
| 1 PLACE | ± 0.25 | 747503601 | PSD | ASY | A | | | | | | |
| 0 PLACES | ± | MATERIAL NUMBER | CUSTOMER | SHEET NUMBER | | | | | | | |
| DRAFT WHERE APPLICABLE MUST REMAIN WITHIN DIMENSIONS | | THIRD ANGLE PROJECTION | DRAWING | SERIES | SEE P/N TABLE | | | | | | |
| | |  | D-SIZE | 74750 | 8 OF 8 | | | | | | |