

6

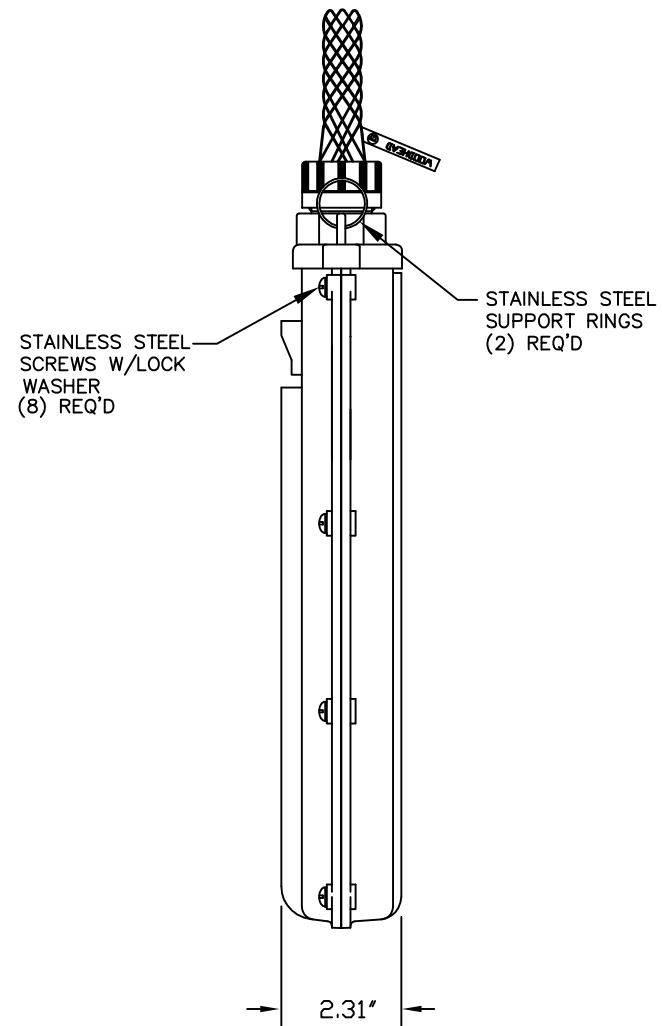
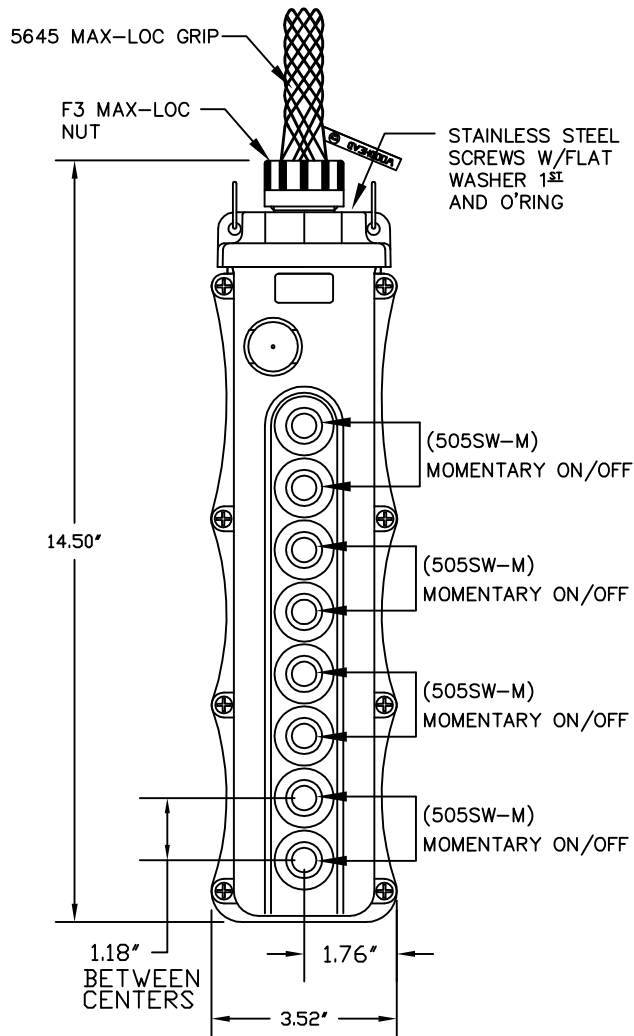
5

4

3

2

1



NOTES:

1. INSTALLATION INSTRUCTIONS, BUTTON ID. LABELS. ARE PACK WITH THE PART.
2. ALL BUTTONS ARE HIGH AMBIENT, CHEMICALLY RESISTANT MATERIAL - COLOR BLACK

RELEASE DRAWING EC NO: WNA209-0344 DRWN: TVICKERS CHKD: HK APPR: DTTITUS 2008/11/24 2008/11/24 2008/11/26	QUALITY SYMBOLS $\nabla=0$ $\sphericalangle=0$	GENERAL TOLERANCES (UNLESS SPECIFIED)		DIMENSION STYLE	SCALE	DESIGN UNITS	THIRD ANGLE PROJECTION	
			mm	INCH	INCH	NTS		INCH
		4 PLACES	±----	±----	TV	DATE	TITLE	
		3 PLACES	±----	±.020	2008/11/24	CHECKED BY	8 POS PENDANT W/ (4) 505SW-M	
2 PLACES	±----	±.010	HK	DATE	----			
1 PLACE	±----	±.005	2008/11/24	APPROVED BY	MOLEX INCORPORATED			
ANGULAR ±5°		DRAFT WHERE APPLICABLE MUST REMAIN WITHIN DIMENSIONS		DT	DATE	DOCUMENT NO.	SHEET NO.	
				2008/11/24	2008/11/24	SD-130126-017	1 OF 1	
A		A		MATERIAL NO.	THIS DRAWING CONTAINS INFORMATION THAT IS PROPRIETARY TO MOLEX INCORPORATED AND SHOULD NOT BE USED WITHOUT WRITTEN PERMISSION			
				1301260300				
				SIZE				
				A				

6

5

4

3

2

1