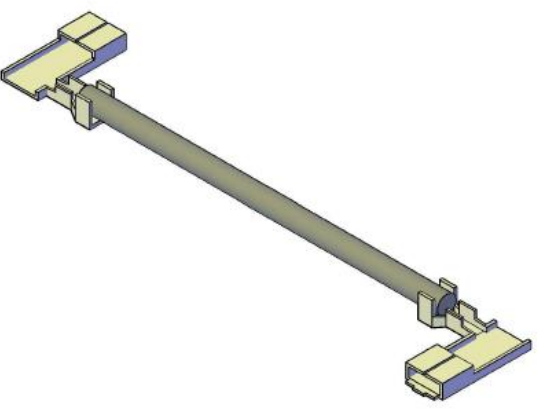
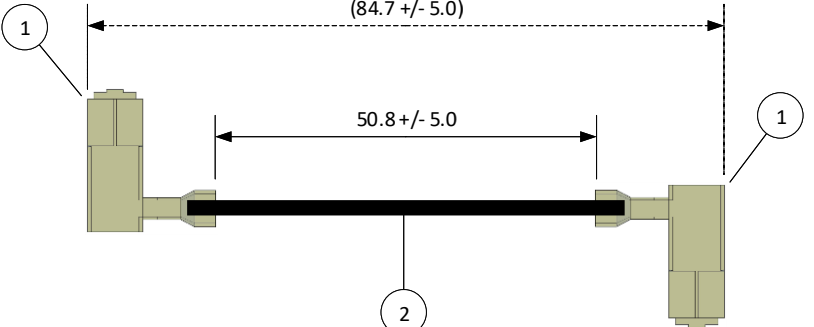
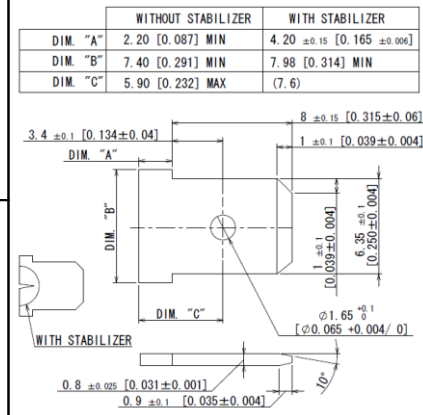


THIS DRAWING CONTAINS INFORMATION THAT IS PROPRIETARY TO J.S.T. AND SHALL NOT BE USED OR SHOWN WITHOUT WRITTEN PERMISSION.

4		3	2		1	
ITEM	CONNECTOR PART NO.	DESCRIPTION	IPI CHECK	EUR CHECK	Applicable Tooling	
1	RASRSF-21-250A	RIGHT-ANGLE RSF CONTACT, BRASS			APPLICATOR	
2	UL1015, 20 AWG	BLACK			<b>Applicable Housings</b>	

SUGGESTED MATING TAB		
WITHOUT STABILIZER		WITH STABILIZER
DIM. "A"	2.20 [0.087] MIN	4.20 ±0.15 [0.165 ±0.006]
DIM. "B"	7.40 [0.291] MIN	7.98 [0.314] MIN
DIM. "C"	5.90 [0.232] MAX	(7.6)

Other housings and configurations are available. Please contact JST for details.



**JST**

SCALE	1: 1	CUSTOMER NAME	CUSTOMER PART NO.
DIMENSIONS	All dimensions are in MM with a tolerance of +/- 3.0 unless otherwise specified.	DESCRIPTION	2" LIF, POS LOCK, .250, FLAG, DOUBLE-END LEADS, BRASS, F-F
DRAWN BY	STEVEN PILKINGTON	ASSEMBLY PART NO.	ARASRSFRASRSF20K51A
CHECKED BY	JUSTIN BAKER	DRAWING NO. & REVISION	GAM-157
		REVISED	3/16/2016

REV.	DESCRIPTION	DATE	BY