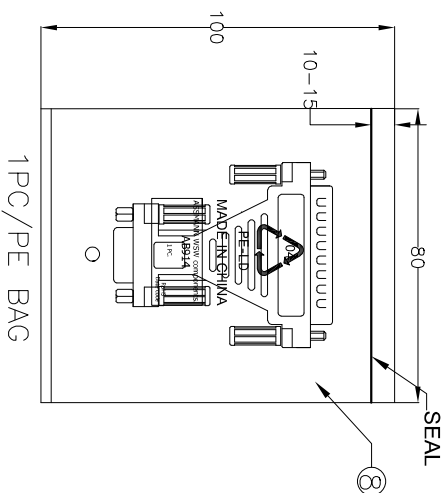


- Electrical test:**
1. 100% short, open, miss wire test
  2. Conduct resistance: 2 Ohm(max)
  3. Insulation resistance: 5Mohm(min)
  4. Dielectric test: DC 300V

**PIN ASSIGNMENT:**

P1	P2
1	8
2	3
3	2
4	20
5	7
6	6
7	4
8	5
9	22
SHELL	SHELL

NO.	NAME	QTTY	SPECIFICATION
①	PE BAG	1/10	CLEAR SIZE: 170*250*0.05mm PRINT BLACK*MADE IN CHINA***+*10PCS**
②	PE BAG	1	CLEAR SIZE: 80*100*0.05mm PRINT BLACK*MADE IN CHINA**+*1PC*
③	NUT	2	UNT.#4-40UNC 4.75*5.9mm NICKEL PLATED
④	SCREW	4	THUMB SCERW #4-40UNC L21mm MOLD BEIGE(IV-29#)
⑤	OUT JACKET	30g	40P PVC BEIGE(IV-29#)
⑥	IN JACKET	7.8g	CLEAR LD-PE
⑦	CABLE	445mm	UL1007 26AWG COLOR BLACK L1=45mm*9PCS L2=50mm*1PCS.
⑧	CONN	1	DB25P MALE SOLDER TYPE PIN G/F, BLUE INSULATION SHELL-NICKEL,
⑨	CONN	1	DB9P FEMALE SOLDER TYPE G/F, BLUE INSULATION SHELL-NICKEL,



**ROHS compliant**  
Unit: mm

Scale	Free	Date	Name	Customer-No.
TOLERANCE		20.02.2017	Amy	ASSMANN WSW-No.
		20.02.2017	Amy	AB914
DIM	TOL	Drawing-No. ASS 7868 CA rev00		
Angle	TOL	Replace Sheet		
Id.	Modification			
①	Drawn			



1 2 3 4 5 6 7

H G F E D C B A