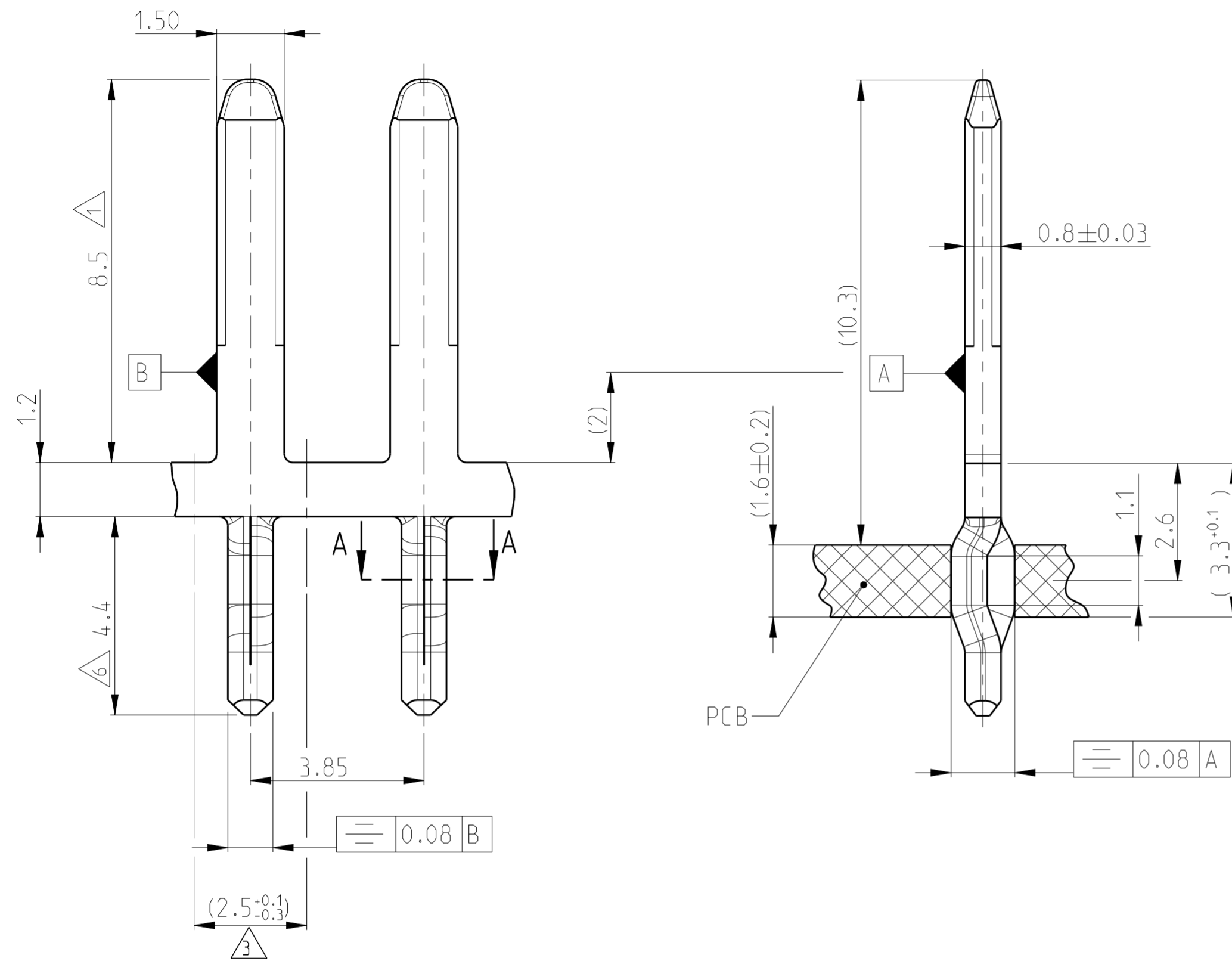


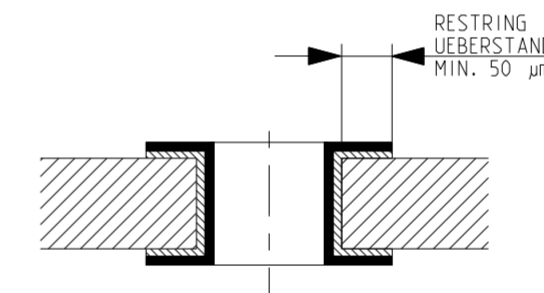
REVISIONS				
P	LTR	DESCRIPTION	DATE	APVD
A1		Note 5 von Kunststoffspule auf Hartspule geaendert	14DEC2005	PNi JRY
A2		PCB verrutscht	07DEC2015	ST PNi
A3		ECR-20-010822	05MAY2020	KG KK



NOTES:
BEMERKUNGEN:

- 1 2 µm - 4 µm Sn OVER 1.2 µm - 2.7 µm Ni
2 µm - 4 µm Sn UEBER 1.2 µm - 2.7 µm Ni

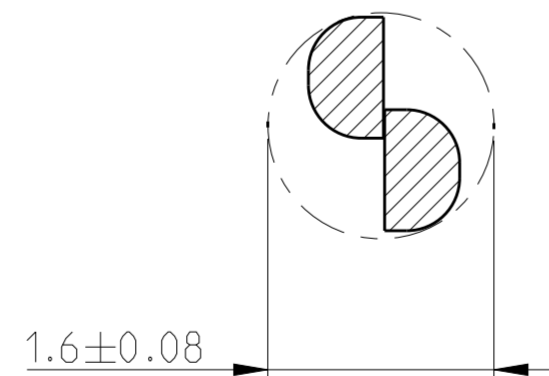
2



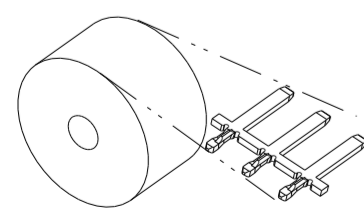
PLATED THROUGH HOLE SPECIFICATION SPEZIFIKATION FUER DURCHPLATIERTE BOHRUNGEN	
Cu THICKNESS KUPFER-SCHICHTDICKE	25-50 µm
Sn THICKNESS ZINN-SCHICHTDICKE	4-15 µm
DRILLED HOLE Ø1.5±0.025 BOHRLOCH-Ø1.5±0.025	FINISHED HOLE Ø1.29 ^{+0.15} PLATIERTER LOCH-Ø1.29 ^{+0.15}

- 3 DIMENSION OF LOOSE PIESE
MASS FUER EINZELTEIL
- 4 TO BE REELED ON PACAKE REEL WITH INTERLEAVING PAPER
PAPPSPULEN MIT ZWISCHENLAGENPAPIER
- 5 TO BE REELED ON HARD FIBER REEL WITH INTERLEAVING PAPER
HARTFASERSPULEN MIT ZWISCHENLAGENPAPIER
- 6 0.7 µm - 2 µm Sn OVER 1.2 µm - 2.7 µm Ni (ACTION PIN AREA)
0.7 µm - 2 µm Sn UEBER 1.2 µm - 2.7 µm Ni (ACTION PIN BEREICH)

A-A
20:1



DIRECTION OFF
TOP OF REEL



- 1- -2
- 1- -3

- 4
- 5

A3 OBSOLETE

TYCO PART NO.	REV.	MATERIAL	SURFACE	REEL PACKING
1-1452692-3	A	Cu Sn 4	1	5
1-1452692-2	A	Cu Sn 4	1	4

THIS DRAWING IS A CONTROLLED DOCUMENT.

DWN P. Nickelfeld 20JUL2004
 CHK J. Ryll 21JUL2004
 APVD -

PRODUCT SPEC 108-18867
 APPLICATION SPEC 114-18570
 WEIGHT -
 CUSTOMER DRAWING

TE Connectivity		NAME	
		TAB 1.5 x 0.8 WITH ACTION PIN Flachstecker 1.5 x 0.8 mit ACTION PIN	
SIZE	CAGE CODE	DRAWING NO	RESTRICTED TO
A2	00779	1452692	-
SCALE	SHEET	OF	REV
10:1	1	1	A3