



**ANATECH ELECTRONICS INC**  
RF & Microwave Filters & Products

# 9700 MHz Cavity Band Pass Filter

**Part Number: AE9700B11603**



## Electrical Specifications

**Center Frequency:** 9700 MHz  
**1dB Bandwidth:** 1500 MHz  
**Insertion Loss:** 2.5dB Max.  
**Return Loss:** 11dB Min.  
**Rejection1:** ≥50dB @ 6700 MHz  
**Rejection2:** ≥ 50dB @ 12700 MHz  
**Impedance:** 50 Ohms  
**Power Handling:** 1 W

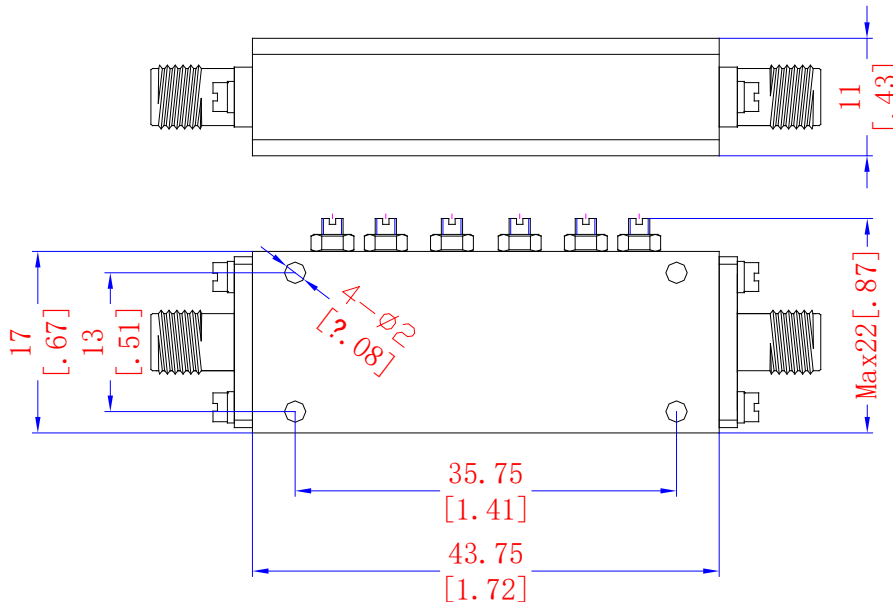
## Mechanical

**Mounting Method:** 2mm Through Holes  
**Connector Type:** SMA(F)  
**Dimensions:** 1.72 X 0.67 X 0.43 in.

## Environmental

**Operating Temperature:** -40°C to +70°C  
**Storage Temperature:** -50°C to +80°C  
**Shock:** 20 G. 11ms  
**Vibration:** 20 G. 5 to 200Hz

## Outline Drawing:



Tolerance: +/-0.01 inches [+/- 0.3mm]

Angles: +/- 1 Deg.

\*Tolerance as shown unless otherwise specified in the datasheet electrical specification tables above.

\*When max dimensions are called out the above tolerances do not apply as long as it is under the max call out.

70 Outwater Lane Phone: (973) 772-4242  
 Garfield, NJ 07026 Fax : (973) 321-3941

Email: [sales@anatechelectronics.com](mailto:sales@anatechelectronics.com)  
 Web: [www.anatechelectronics.com](http://www.anatechelectronics.com)



**ANATECH ELECTRONICS INC**  
RF & Microwave Filters & Products

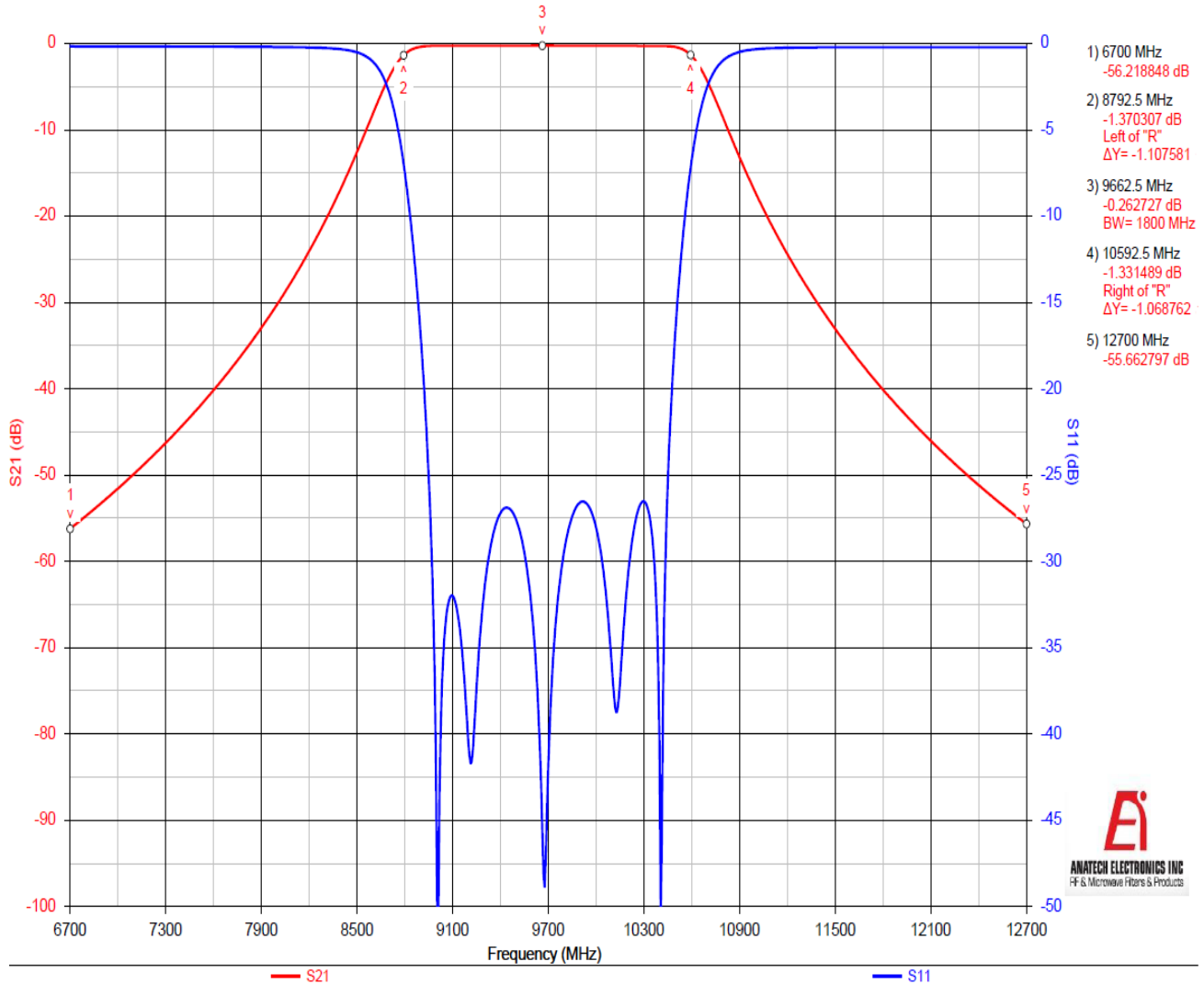
# 9700 MHz Cavity Band Pass Filter

**Part Number: AE9700B11603**



## Simulation Plot:

RFQ-20190208-BPF-9700 MHz-1500 MHz



Note: This is a simulation Plot. Actual response plot might differ once product is manufactured.

70 Outwater Lane Phone: (973) 772-4242  
Garfield, NJ 07026 Fax : (973) 321-3941

Email: [sales@anatechelectronics.com](mailto:sales@anatechelectronics.com)  
Web: [www.anatechelectronics.com](http://www.anatechelectronics.com)