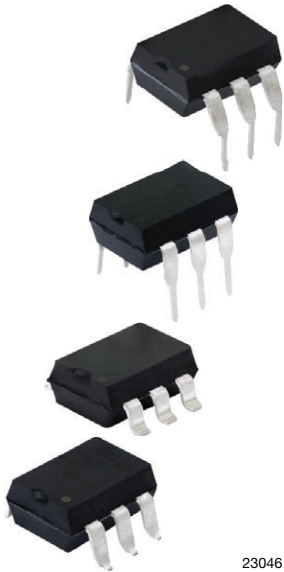
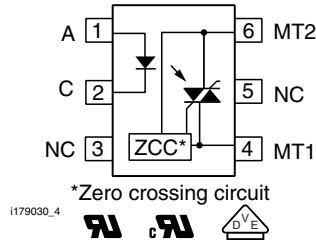


# Optocoupler, Phototriac Output, Zero Crossing, 1.5 kV/ $\mu$ s dV/dt, 600 V



23046



## FEATURES

- 1500 V/ $\mu$ s dV/dt minimum
- 600 V blocking voltage
- 100 mA on-state current
- Zero crossing detector
- Low input trigger current
- 6 pin DIP package
- Material categorization: for definitions of compliance please see [www.vishay.com/doc?99912](http://www.vishay.com/doc?99912)


**RoHS**  
COMPLIANT

## APPLICATIONS

- Household appliances
- Triac drive / AC motor drives
- Solenoid / valve controls
- Office automation equipment / machine
- Temperature (HVAC) / lighting controls
- Switching power supply

## AGENCY APPROVALS

- [UL](#)
- [cUL](#)
- [DIN EN 60747-5-5 \(VDE 0884-5\)](#) available with option 1

## LINKS TO ADDITIONAL RESOURCES


[3D Models](#)

[Design Tools](#)

[Related Documents](#)

[SPICE Models](#)

[Footprints](#)

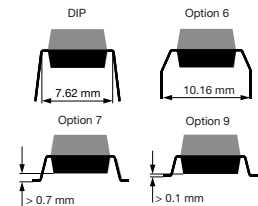
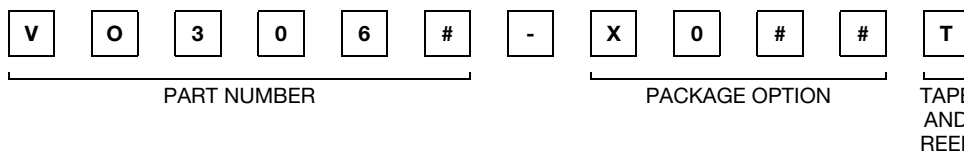
[Schematics](#)

## DESCRIPTION

The VO3062 and VO3063 triac driver family consists of a GaAs infrared LED optically coupled to a monolithic photosensitive zero crossing triac detector chip.

The 600 V blocking voltage permits control of off-line voltages up to 240 V<sub>AC</sub>, with a safety factor of more than two, and is sufficient for as much as 380 V.

## ORDERING INFORMATION



AGENCY CERTIFIED / PACKAGE	TRIGGER, CURRENT I <sub>FT</sub> (mA)	
<b>UL, cUL</b>	<b>5</b>	<b>10</b>
DIP-6	VO3063	VO3062
DIP-6, 400 mil, option 6	VO3063-X006	-
SMD-6, option 7	VO3063-X007T	VO3062-X007T
SMD-6, option 9	VO3063-X009T	-
<b>VDE, UL, cUL</b>	<b>5</b>	<b>10</b>
DIP-6, 400 mil, option 6	VO3063-X016	VO3062-X016
SMD-6, option 7	VO3063-X017T	VO3062-X017T



ABSOLUTE MAXIMUM RATINGS (T <sub>amb</sub> = 25 °C, unless otherwise specified)					
PARAMETER	TEST CONDITION	PART	SYMBOL	VALUE	UNIT
<b>INPUT</b>					
Reverse voltage			V <sub>R</sub>	6	V
Forward current - continuous			I <sub>F</sub>	60	mA
Power dissipation			P <sub>diss</sub>	100	mW
<b>OUTPUT</b>					
Off state output terminal voltage		VO3062, VO3063	V <sub>DRM</sub>	600	V
Peak non-repetitive surge current	PW = 100 μs, 120 pps		I <sub>TSM</sub>	1	A
Power dissipation			P <sub>diss</sub>	200	mW
On-state RMS current			I <sub>T(RMS)</sub>	100	mA
<b>COUPLER</b>					
Total power dissipation			P <sub>tot</sub>	300	mW
Operating temperature range			T <sub>amb</sub>	-55 to +100	°C
Storage temperature range			T <sub>stg</sub>	-55 to +150	°C
Soldering temperature	Maximum ≤ 10 s		T <sub>slid</sub>	260	°C

**Note**

- Stresses in excess of the absolute maximum ratings can cause permanent damage to the device. Functional operation of the device is not implied at these or any other conditions in excess of those given in the operational sections of this document. Exposure to absolute maximum ratings for extended periods of the time can adversely affect reliability

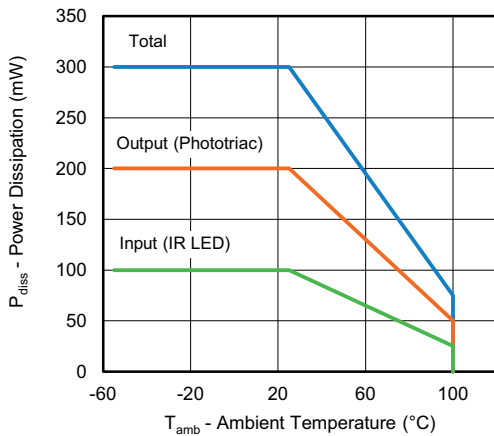


Fig. 1 - Power Dissipation vs. Ambient Temperature



<b>ELECTRICAL CHARACTERISTICS</b> ( $T_{amb} = 25\text{ }^{\circ}\text{C}$ , unless otherwise specified)							
PARAMETER	TEST CONDITION	PART	SYMBOL	MIN.	TYP.	MAX.	UNIT
<b>INPUT</b>							
Reverse current	$V_R = 6\text{ V}$		$I_R$	-	-	10	$\mu\text{A}$
Forward voltage	$I_F = 30\text{ mA}$		$V_F$	-	1.3	1.5	V
<b>OUTPUT</b>							
Leakage with LED off, either direction	$V_{DRM} = 600\text{ V}$		$I_{DRM}$	-	5	500	nA
Critical rate of rise off-state voltage	$V_D = 400\text{ V}$		dV/dt	1500	2000	-	V/ $\mu\text{s}$
<b>COUPLER</b>							
LED trigger current, current required to latch output		VO3063	$I_{FT}$	-	-	5	mA
		VO3062	$I_{FT}$	-	-	10	mA
Peak on-state voltage, either direction	$I_{TM} = 100\text{ mA Peak}$ , $I_F = \text{rated } I_{FT}$		$V_{TM}$	-	1.7	3	V
Holding current, either direction			$I_H$	-	250	-	$\mu\text{A}$
Inhibit voltage (MT1-MT2 voltage above which device will not trigger)			$V_{INH}$	-	12	22	V
Leakage in inhibited state	$I_F = 10\text{ mA maximum}$ , at rated $V_{DRM}$ , off state		$V_{DRM2}$	-	250	1000	$\mu\text{A}$

**Note**

- Typical values are characteristics of the device and are the result of engineering evaluations. Typical values are for information only and are not part of the testing requirements

<b>SAFETY AND INSULATION RATINGS</b>				
PARAMETER	TEST CONDITION	SYMBOL	VALUE	UNIT
Climatic classification	According to IEC 68 part 1		55 / 100 / 21	
Pollution degree	According to DIN VDE 0109		2	
Comparative tracking index	Insulation group IIIa	CTI	175	
Maximum rated withstanding isolation voltage	According to UL1577, $t = 1\text{ min}$	$V_{ISO}$	4420	$V_{RMS}$
Tested withstanding isolation voltage	According to UL1577, $t = 1\text{ s}$	$V_{ISO}$	5300	$V_{RMS}$
Maximum transient isolation voltage	According to DIN EN 60747-5-5	$V_{IOTM}$	8000	$V_{peak}$
Maximum repetitive peak isolation voltage	According to DIN EN 60747-5-5	$V_{IORM}$	890	$V_{peak}$
Isolation resistance	$T_{amb} = 25\text{ }^{\circ}\text{C}$ , $V_{IO} = 500\text{ V}$	$R_{IO}$	$\geq 10^{12}$	$\Omega$
	$T_{amb} = 100\text{ }^{\circ}\text{C}$ , $V_{IO} = 500\text{ V}$	$R_{IO}$	$\geq 10^{11}$	$\Omega$
Output safety power		$P_{SO}$	500	mW
Input safety current		$I_{SI}$	250	mA
Input safety temperature		$T_S$	175	$^{\circ}\text{C}$
Creepage distance	DIP-6		$\geq 7$	mm
Clearance distance			$\geq 7$	mm
Creepage distance	DIP-6, 400 mil, option 6		$\geq 8$	mm
Clearance distance			$\geq 8$	mm
Creepage distance	SMD-6, option 7		$\geq 7$	mm
Clearance distance			$\geq 7$	mm
Creepage distance	SMD-6, option 9		$\geq 8$	mm
Clearance distance			$\geq 8$	mm
Insulation thickness		DTI	$\geq 0.4$	mm

**Note**

- As per IEC 60747-5-5, § 7.4.3.8.2, this optocoupler is suitable for “safe electrical insulation” only within the safety ratings. Compliance with the safety ratings shall be ensured by means of protective circuits

**TYPICAL CHARACTERISTICS** ( $T_{amb} = 25\text{ }^{\circ}\text{C}$ , unless otherwise specified)

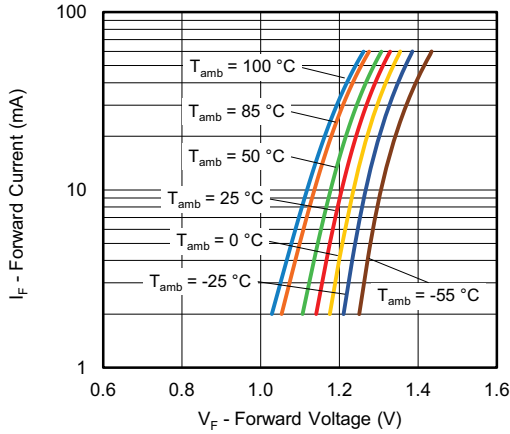


Fig. 2 - Forward Current vs. Forward Voltage

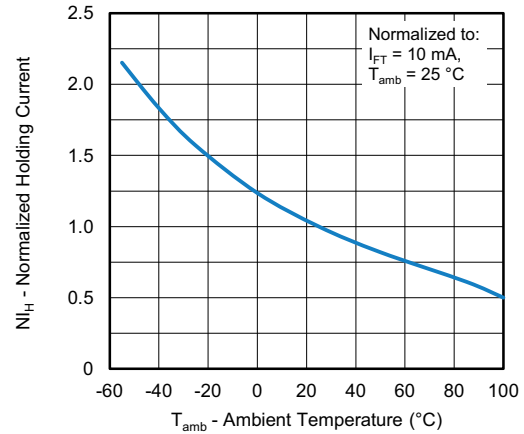


Fig. 5 - Normalized Holding Current vs. Ambient Temperature

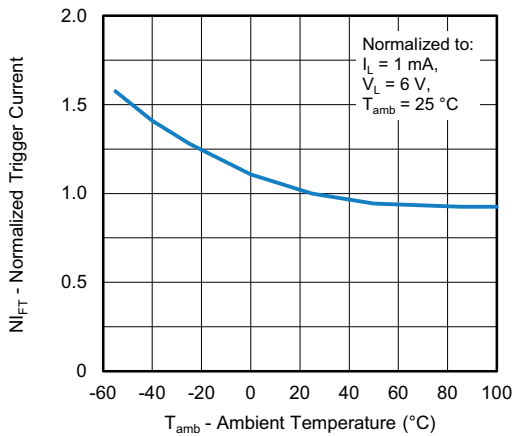


Fig. 3 - Normalized Trigger Current vs. Ambient Temperature

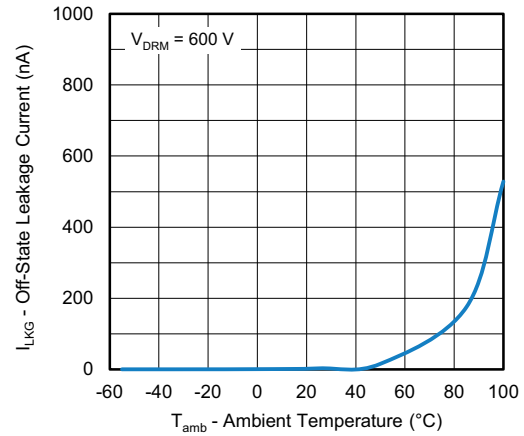


Fig. 6 - Off-State Leakage Current vs. Ambient Temperature

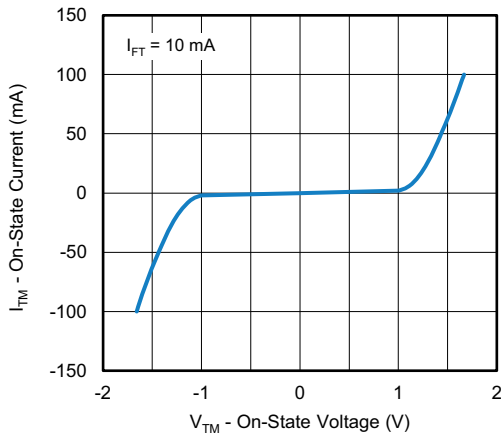


Fig. 4 - On-State Current vs. On-State Voltage

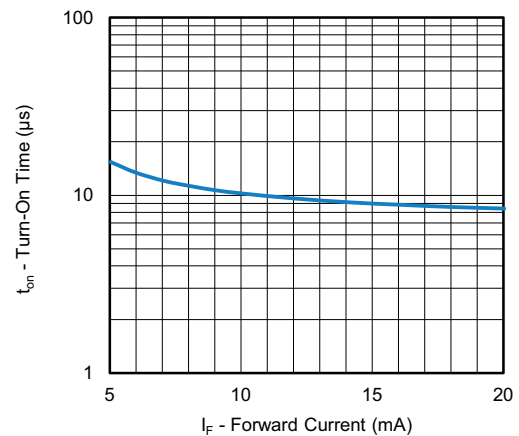


Fig. 7 - Turn-On Time vs. Forward Current

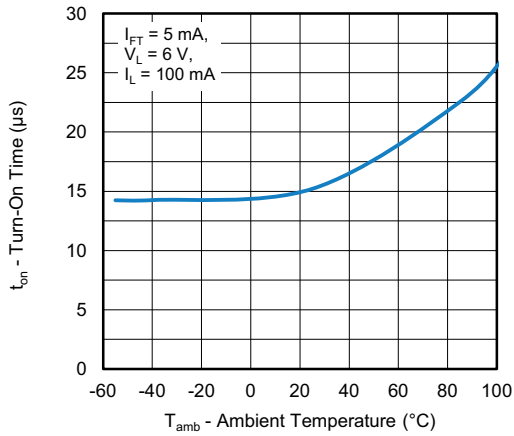


Fig. 8 - Turn-on Time vs. Ambient Temperature

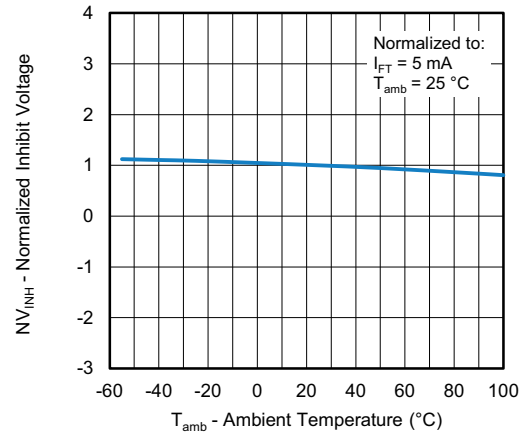
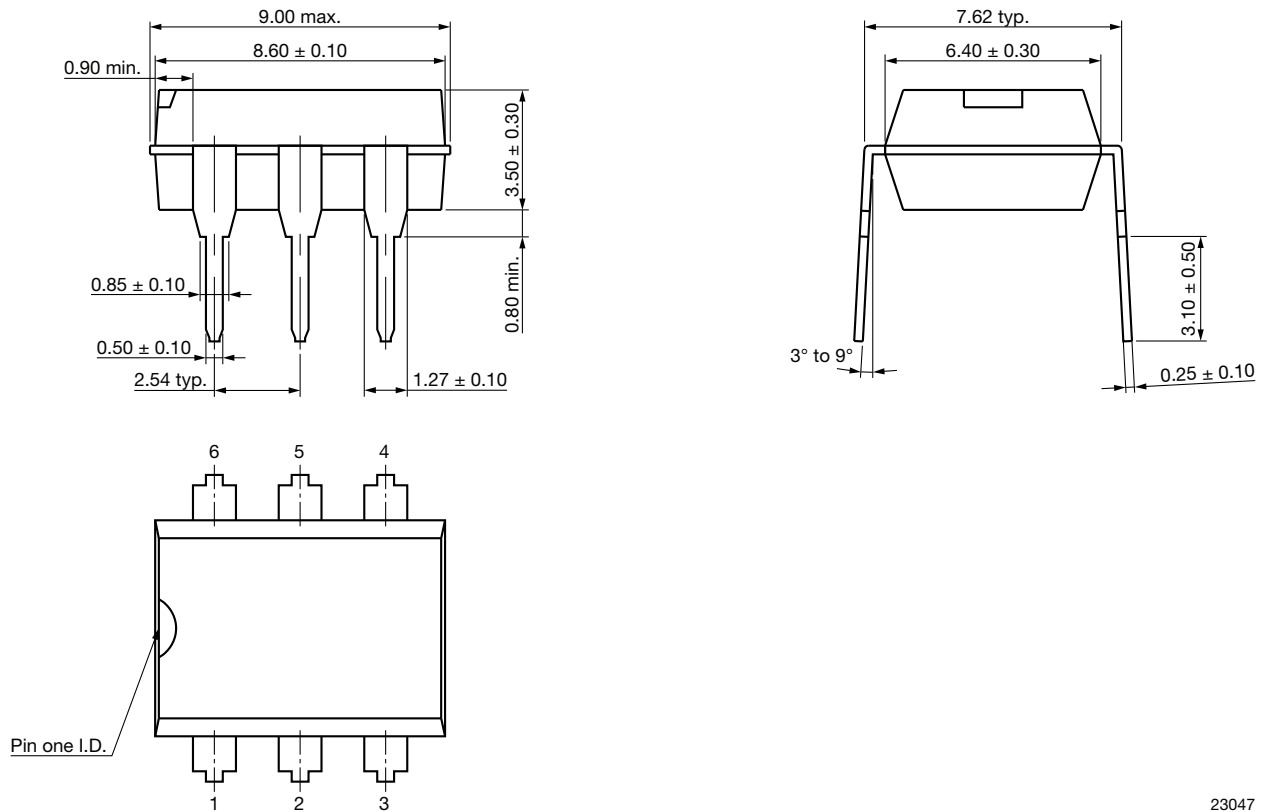


Fig. 9 - Normalized Inhibit Voltage vs. Ambient Temperature

**PACKAGE DIMENSIONS** (in millimeters)

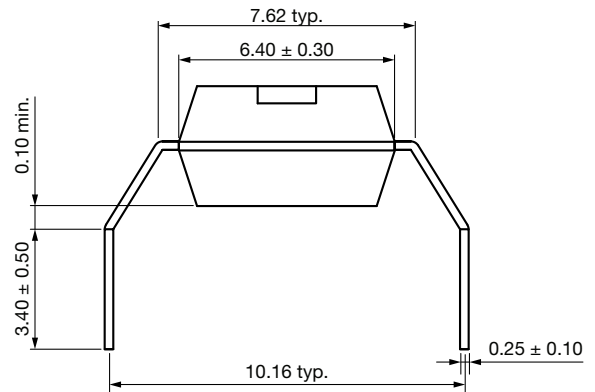
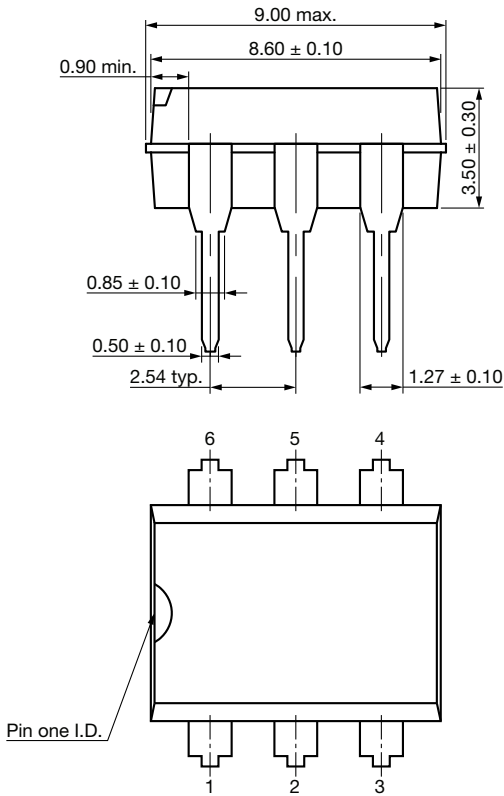
**DIP-6**



23047

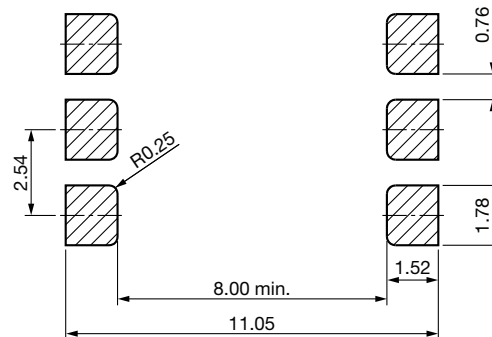
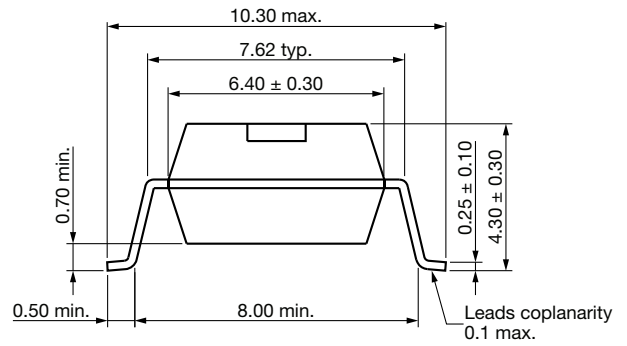
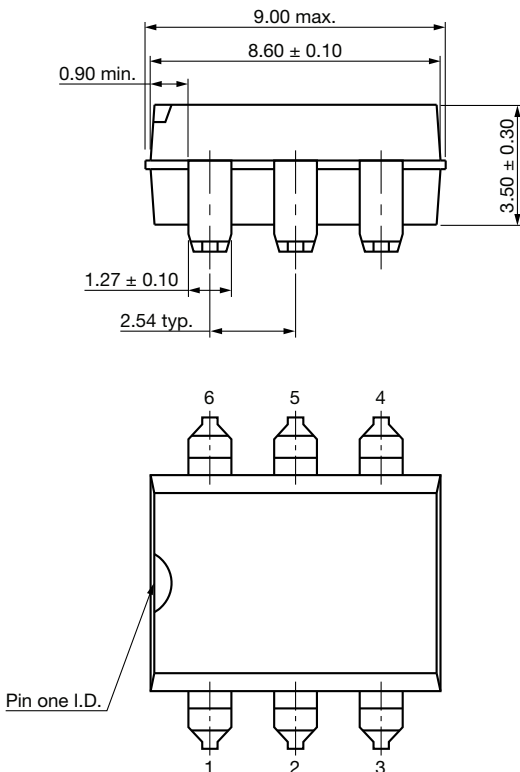


DIP-6, 400 mil, Option 6



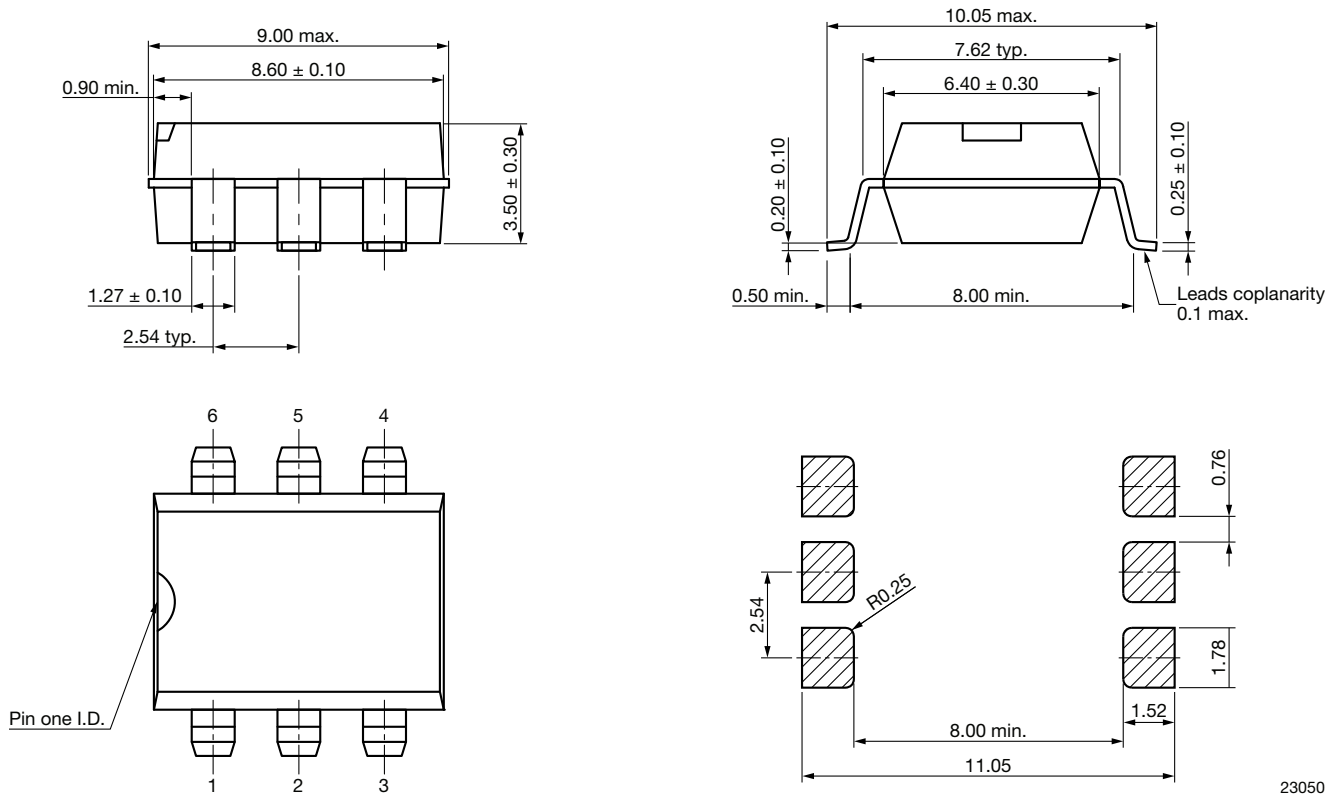
23048

SMD-6, Option 7



23049

**SMD-6, Option 9**



23050

**PACKAGE MARKING**

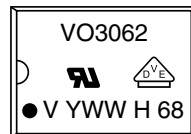


Fig. 10 - Example of VO3062-X016

**Notes**

- The VDE logo is only marked on option1 parts
- Tape and reel suffix (T) is not part of the package marking

**PACKING INFORMATION** (in millimeters)

**Tube**

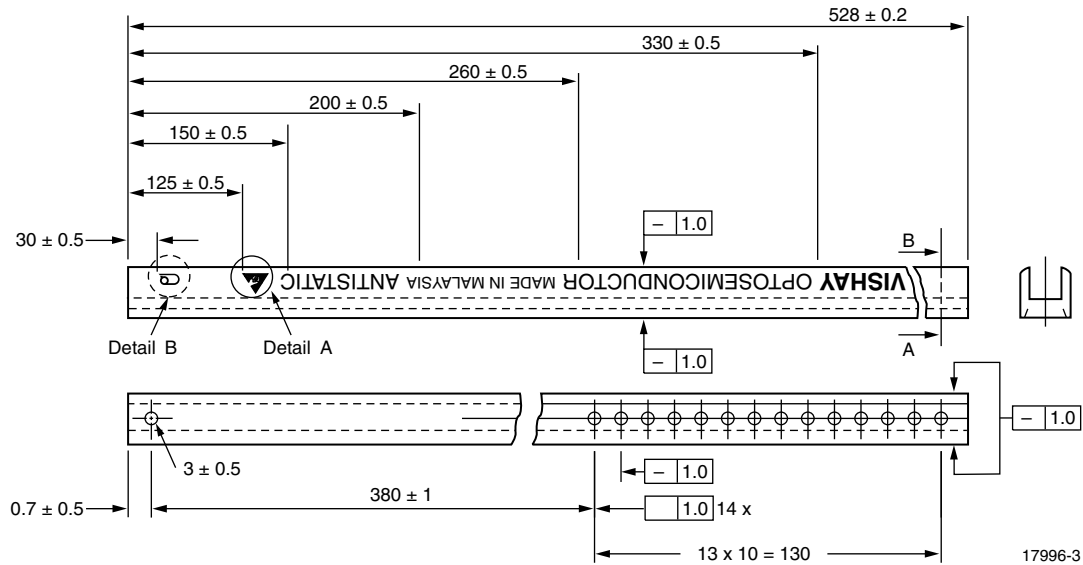


Fig. 11 - Shipping Tube Specifications for DIP Packages

DEVICES PER TUBS			
TYPE	UNITS/TUBE	TUBES/BOX	UNITS/BOX
DIP-6	50	40	2000

**DIP-6**

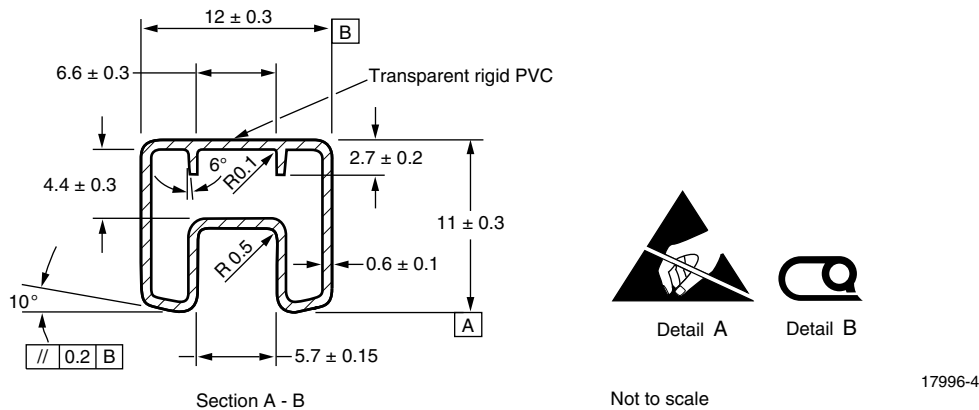


Fig. 12 - Tube Shipping Medium



**DIP-6, 400 mil, option 6**

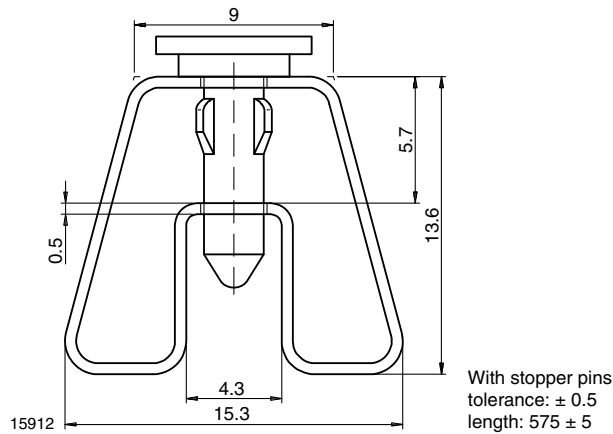
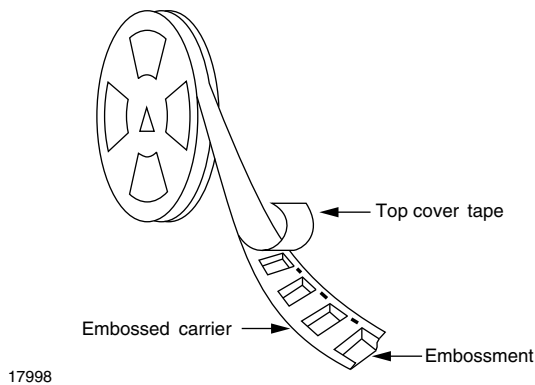


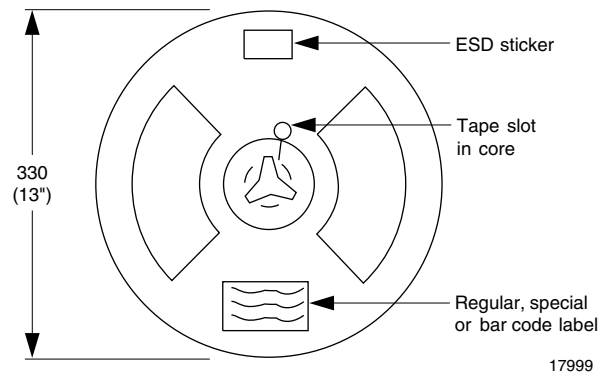
Fig. 13 - Tube Shipping Medium

**Tape and Reel**



17998

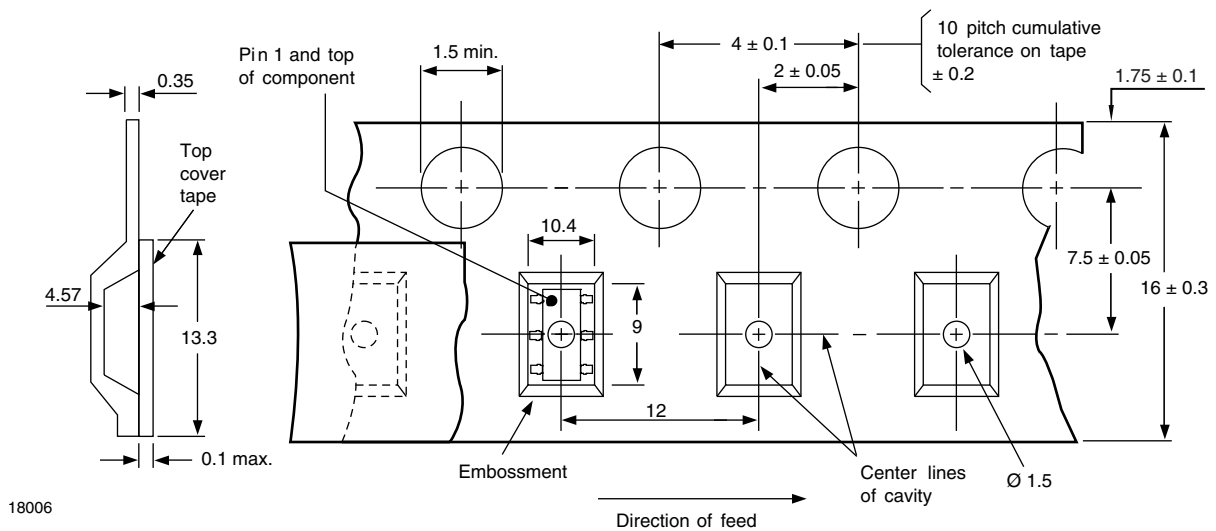
Fig. 14 - Tape and Reel Shipping Medium



17999

Fig. 15 - Tape and Reel Shipping Medium

**SMD-6, option 7**



18006

Fig. 16 - Tape and Reel Packing (1000 pieces on Reel)

**SMD-6, option 9**

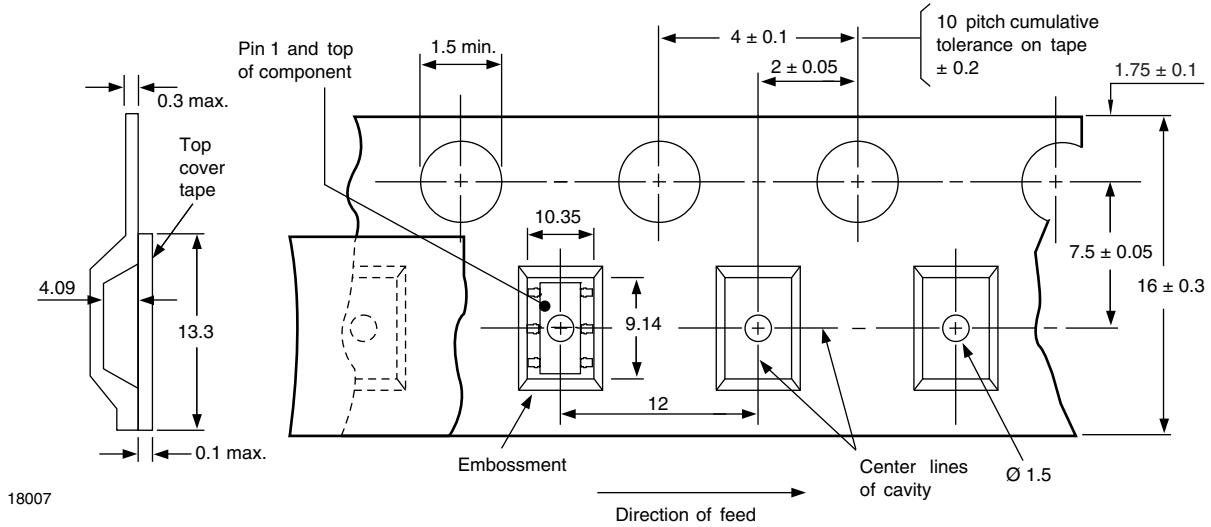


Fig. 17 - Tape and Reel Shipping Medium (1000 pieces on reel)

**SOLDER PROFILES**

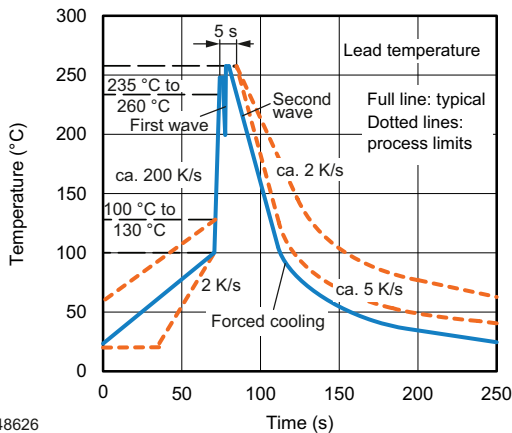


Fig. 18 - Wave Soldering Double Wave Profile According to J-STD-020 for DIP Devices

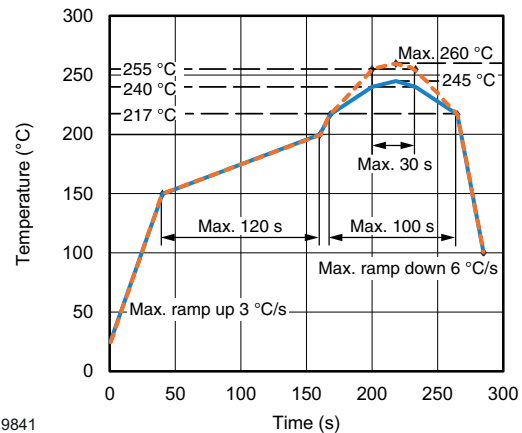


Fig. 19 - Lead (Pb)-free Reflow Solder Profile According to J-STD-020 for SMD Devices

**HANDLING AND STORAGE CONDITIONS**

ESD level: HBM class 2

Floor life: unlimited

Conditions:  $T_{amb} < 30\text{ }^{\circ}\text{C}$ , RH < 85 %

Moisture sensitivity level 1, according to J-STD-020



## Disclaimer

ALL PRODUCT, PRODUCT SPECIFICATIONS AND DATA ARE SUBJECT TO CHANGE WITHOUT NOTICE TO IMPROVE RELIABILITY, FUNCTION OR DESIGN OR OTHERWISE.

Vishay Intertechnology, Inc., its affiliates, agents, and employees, and all persons acting on its or their behalf (collectively, "Vishay"), disclaim any and all liability for any errors, inaccuracies or incompleteness contained in any datasheet or in any other disclosure relating to any product.

Vishay makes no warranty, representation or guarantee regarding the suitability of the products for any particular purpose or the continuing production of any product. To the maximum extent permitted by applicable law, Vishay disclaims (i) any and all liability arising out of the application or use of any product, (ii) any and all liability, including without limitation special, consequential or incidental damages, and (iii) any and all implied warranties, including warranties of fitness for particular purpose, non-infringement and merchantability.

Statements regarding the suitability of products for certain types of applications are based on Vishay's knowledge of typical requirements that are often placed on Vishay products in generic applications. Such statements are not binding statements about the suitability of products for a particular application. It is the customer's responsibility to validate that a particular product with the properties described in the product specification is suitable for use in a particular application. Parameters provided in datasheets and / or specifications may vary in different applications and performance may vary over time. All operating parameters, including typical parameters, must be validated for each customer application by the customer's technical experts. Product specifications do not expand or otherwise modify Vishay's terms and conditions of purchase, including but not limited to the warranty expressed therein.

Hyperlinks included in this datasheet may direct users to third-party websites. These links are provided as a convenience and for informational purposes only. Inclusion of these hyperlinks does not constitute an endorsement or an approval by Vishay of any of the products, services or opinions of the corporation, organization or individual associated with the third-party website. Vishay disclaims any and all liability and bears no responsibility for the accuracy, legality or content of the third-party website or for that of subsequent links.

Except as expressly indicated in writing, Vishay products are not designed for use in medical, life-saving, or life-sustaining applications or for any other application in which the failure of the Vishay product could result in personal injury or death. Customers using or selling Vishay products not expressly indicated for use in such applications do so at their own risk. Please contact authorized Vishay personnel to obtain written terms and conditions regarding products designed for such applications.

No license, express or implied, by estoppel or otherwise, to any intellectual property rights is granted by this document or by any conduct of Vishay. Product names and markings noted herein may be trademarks of their respective owners.