

THIS DRAWING IS UNPUBLISHED.

RELEASED FOR PUBLICATION

© COPYRIGHT 1963 By -

ALL RIGHTS RESERVED.

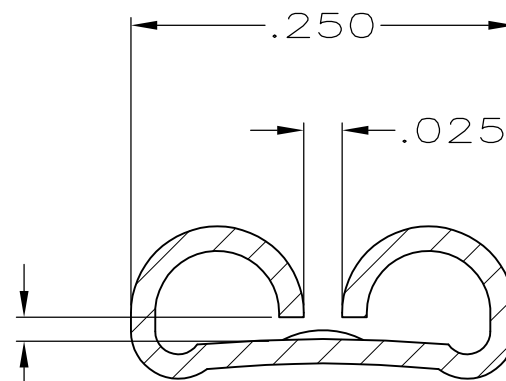
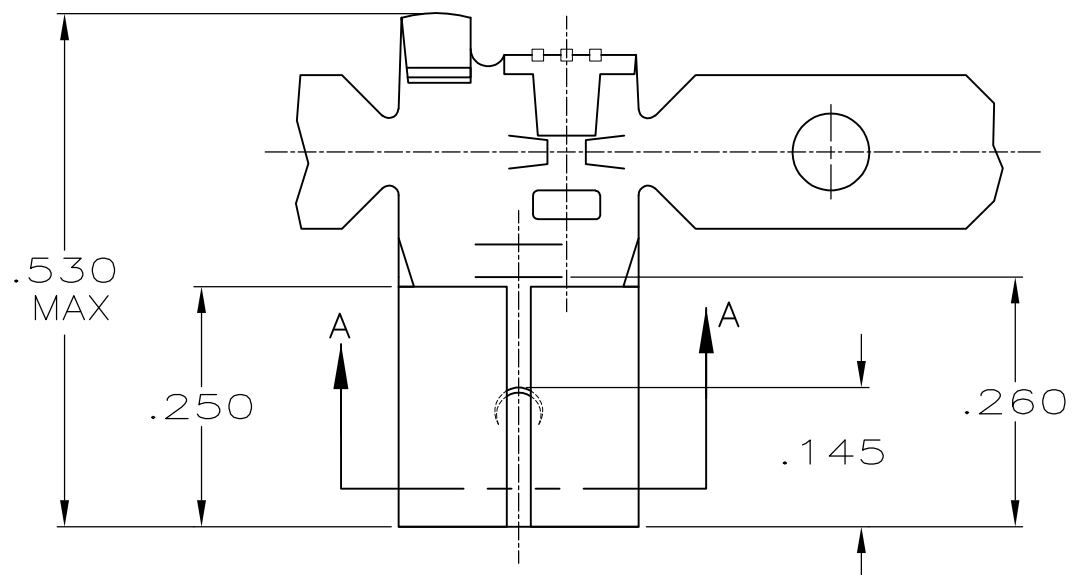
LOC
AF

DIST
50

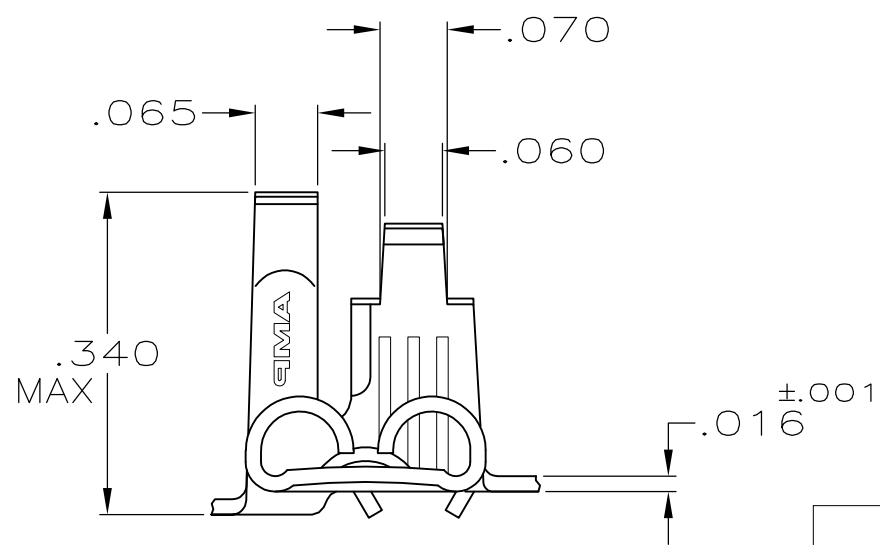
REVISIONS


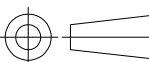
P	LTR	DESCRIPTION	DATE	DWN	APVD
D		REVISED PER ECR-12-013445	18OCT12	KH	PD

- CONTINUOUS STRIP ON REELS.
- FEED IS $.650 \pm .005$.
- NON-STANDARD DESIGNS. NEW APPLICATIONS MUST BE SUBMITTED TO GATD PRODUCT ENGINEERING FOR APPROVAL. FOR PREFERRED DESIGNS REFER TO C-42711.



SECTION A-A
SCALE 8:1



TIN PLATE	.110-.170	20-14	.032	60195-2
-	.110-.170	20-14	.032	60195-1
FINISH	INSULATION RANGE	WIRE RANGE	MATING TAB THICKNESS $\pm .001$	PART NUMBER
THIS DRAWING IS A CONTROLLED DOCUMENT.		DWN M.S. FEHER 27SEP2004	 TE Connectivity RECEPTACLE, FASTON, FLAG, .205 SERIES	
DIMENSIONS: INCHES		CHK P. DESANTIS 27SEP2004		
		APVD P. DESANTIS 27SEP2004		
TOLERANCES UNLESS OTHERWISE SPECIFIED:		PRODUCT SPEC	NAME	
0 PLC $\pm -$		-	-	
1 PLC $\pm -$		APPLICATION SPEC	-	
2 PLC $\pm -$		-	SIZE	CAGE CODE
3 PLC $\pm .015$		-	A3	00779
4 PLC $\pm -$		WEIGHT	DRAWING NO	RESTRICTED TO
ANGLES $\pm 1^\circ$		-	C-60195	-
MATERIAL	FINISH	CUSTOMER DRAWING		
BRASS	SEE TABLE	SCALE	SHEET	REV
		5:1	1 OF 1	D