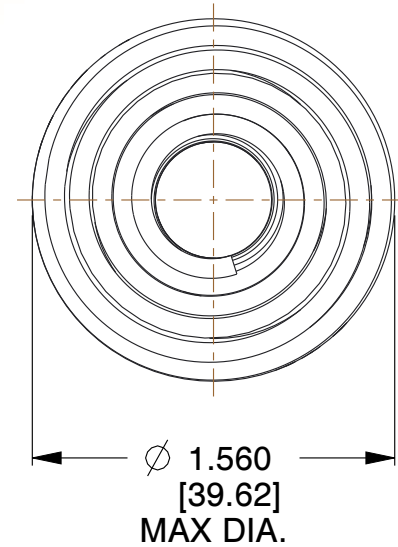
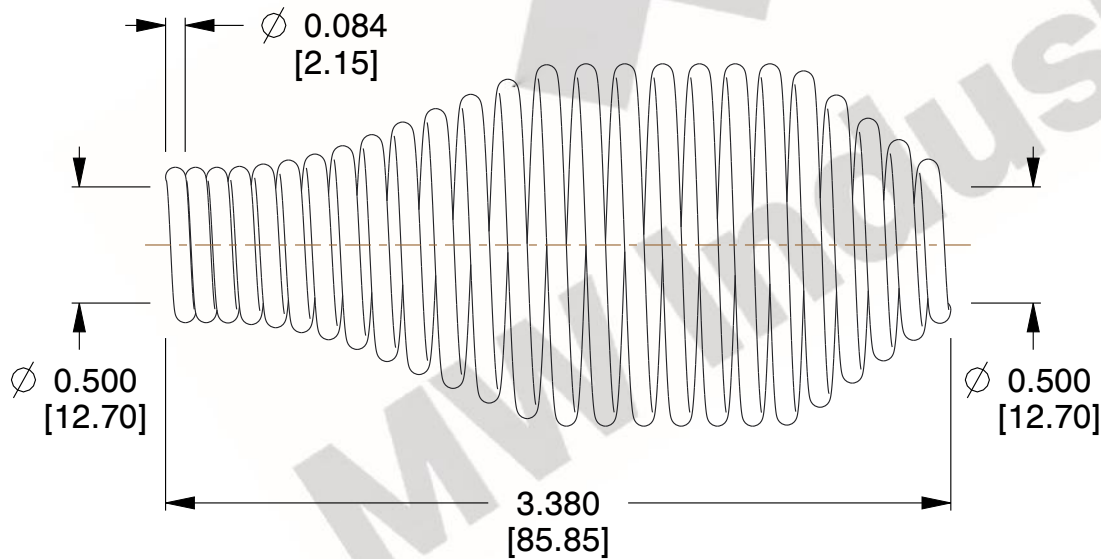
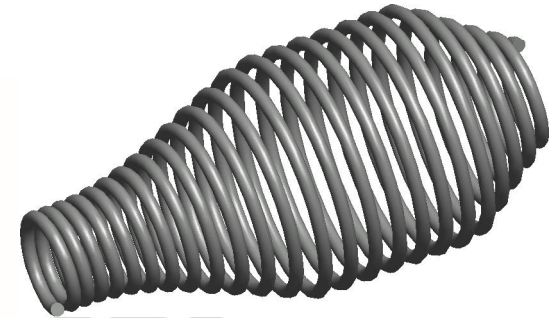


NOTES:

1. Finish : Plain
2. Material : High carbon C-1075
3. All Drawing Dimensions are in Inches [mm]



COMPONENT	STOVE HANDLES	
SH-60A STOVE HANDLES	UNIT	INCH [mm]
	SHEET	1 of 1
	SCALE	1.210