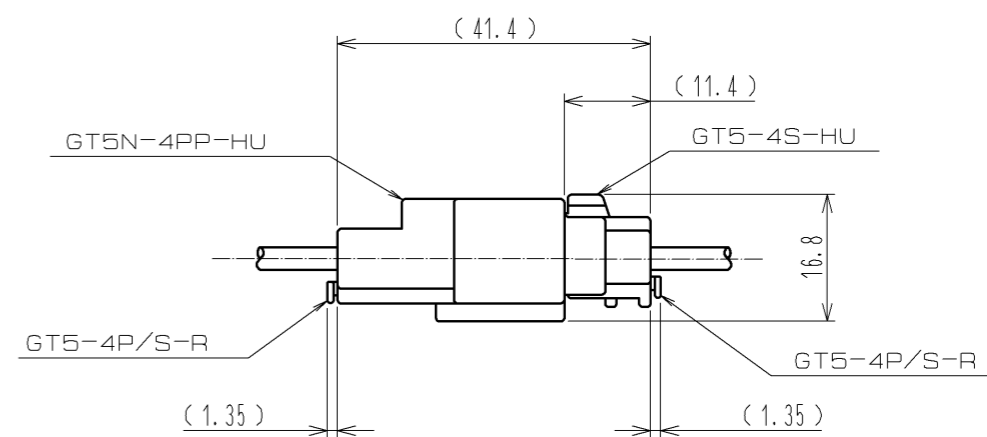
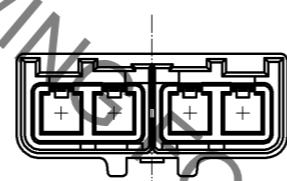
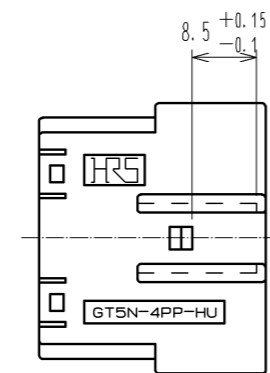
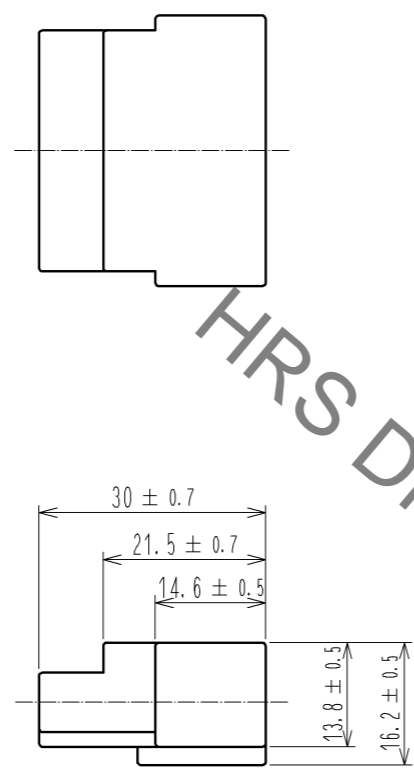
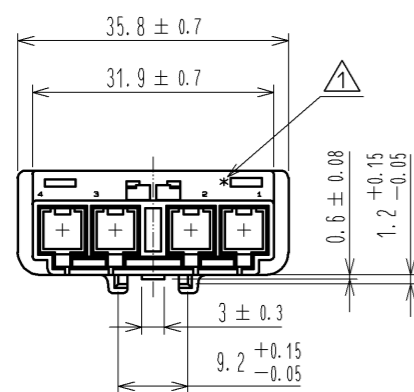


May.1.2023 Copyright 2023 HIROSE ELECTRIC CO., LTD. All Rights Reserved.
 In case of consideration for using Automotive equipment / device which demand high reliability, kindly contact our sales window correspondents.

ELV. RoHS COMPLIANT



MATED CONNECTORS

NOTE1. THIS CONNECTOR SHALL BE USED WITH A RETAINER (CL755-0058-6).

NO.	MATERIAL	FINISH . REMARKS	NO.	MATERIAL	FINISH . REMARKS
			1	PBT	UL94HB, LIGHT GRAY
UNITS mm		SCALE 1 : 1	COUNT 1	DESCRIPTION OF REVISIONS DIS-T-000770	DESIGNED MH. YAMAGUCHI
	HIROSE ELECTRIC CO., LTD.	APPROVED : KS. SATOH	05. 01. 05	DRAWING NO. EDC3-165451-00	CHECKED MO. OKADA
		CHECED : NH. NAKATA	05. 01. 05	PART NO. GT5N-4PP-HU	DATE 08. 04. 08
		DESIGNED : TS. KUBOTA	05. 01. 05	CODE NO. CL755-0057-3-00	
		DRAWN : MO. OKADA	05. 01. 05		