

# PRODUCT DATASHEET

## RAIN RFID TPV Flexible Tag

### Flexible Tag for Multiple Tasks

RAIN RFID TPV Flexible Tag, made of thermoplastic elastomer (TPV), is ideal to fit a curved surface on a non-metal item. This tag can also go to metal items by fixing the yellow tag with Panduit cable tie to one hole. It ideally acts as an inspection tag when placed on equipments or machines.

### Features

- Flexible housing, suitable for irregular surfaces
- Good laser engraving of logo or barcode
- Tamper-evident cable tie
- Both Non-Metal and On-Metal applications

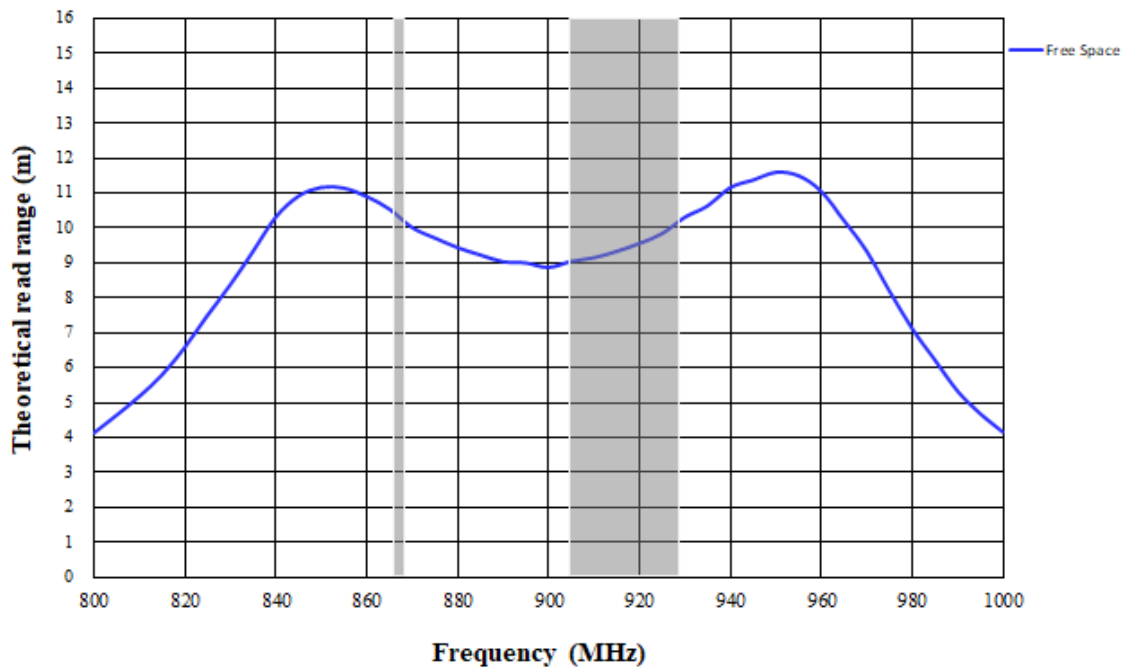
### Applications

- Asset Management
- RTI



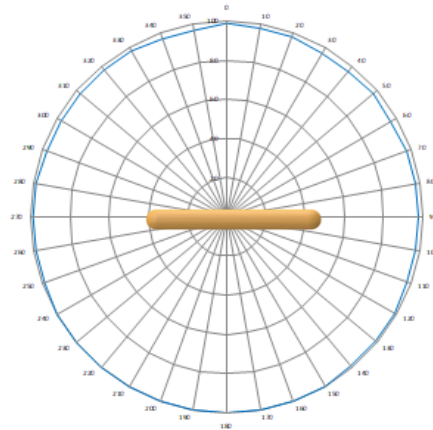
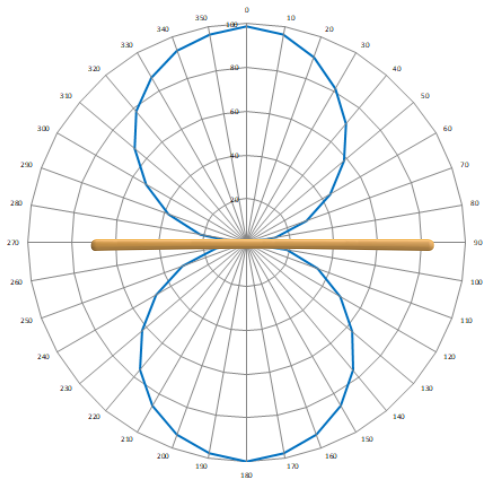
### RF Specification

<b>IC Type</b>	Impinj Monza 4QT
<b>Memory</b>	EPC 128 bit TID 96 bit Serialized
<b>RF Interface Protocol</b>	EPC Class1 Gen2V2 / ISO 18000-63
<b>Operating Frequency</b>	860-960 MHz
<b>Applicable Surface</b>	Non - Metal
<b>Read Range (2W ERP / On metal)</b>	Up to 9 M / 29.52 ft



- Front Reading
- Applicable Surface : Free Space

- Side Reading
- Applicable Surface : Free Space



\*Reading distance shown in the figure is measured by Voyantic Tagformance.  
Actual reading performance is subject to the environment in practice.

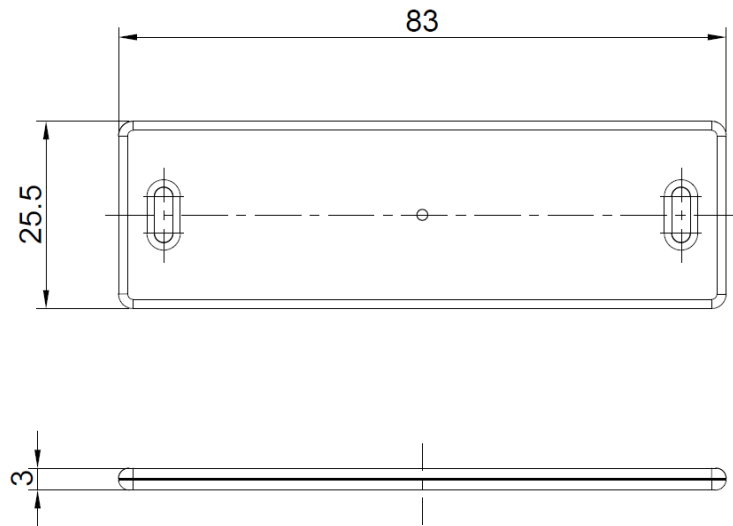
All rights reserved. Product specifications are subject to change without prior notification.

Securitag Assembly Group (SAG) reserves the rights to change product specifications without prior notice. Our products are free from defects in material and workmanship. However, this warranty does not cover accidental damage, wear and tear due to Under no conditions is SAG liable for loss and damage to a device, data or records. We also recommend extra care to minimize ESD improper use. in the surroundings of the application.



## Physical Specification

<b>Color</b>	Yellow
<b>Material</b>	TPV
<b>Size</b>	Length 25.5 mm/ 1.0 in Width 83 mm/ 3.26 in Thickness 3 mm/ 0.11 in  *The exact size is mainly based on metric unit.
<b>IP Rating</b>	IP68
<b>Attachment</b>	Panduit cable tie



## Environmental Resistance

<b>Operating Temperature</b>	-40°C to +70°C
<b>Storage Temperature</b>	-40°C to +70°C
<b>Weight</b>	4.5g
<b>Warranty</b>	One Year

Ref. No: Digi-key / 420681501-02232

All rights reserved. Product specifications are subject to change without prior notification.

Securitag Assembly Group (SAG) reserves the rights to change product specifications without prior notice. Our products are free from defects in material and workmanship. However, this warranty does not cover accidental damage, wear and tear due to Under no conditions is SAG liable for loss and damage to a device, data or records. We also recommend extra care to minimize ESD improper use. in the surroundings of the application.

