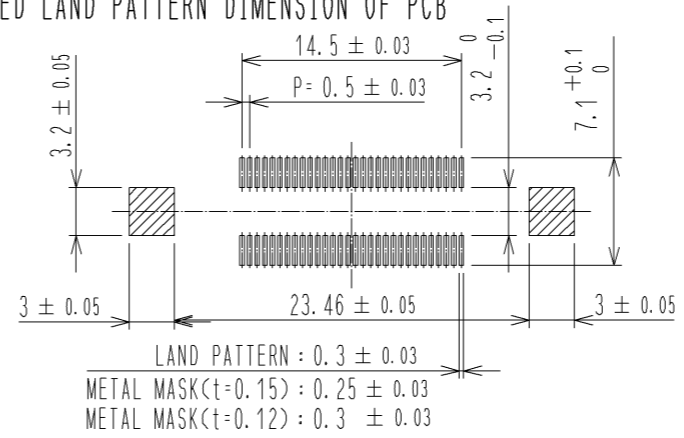
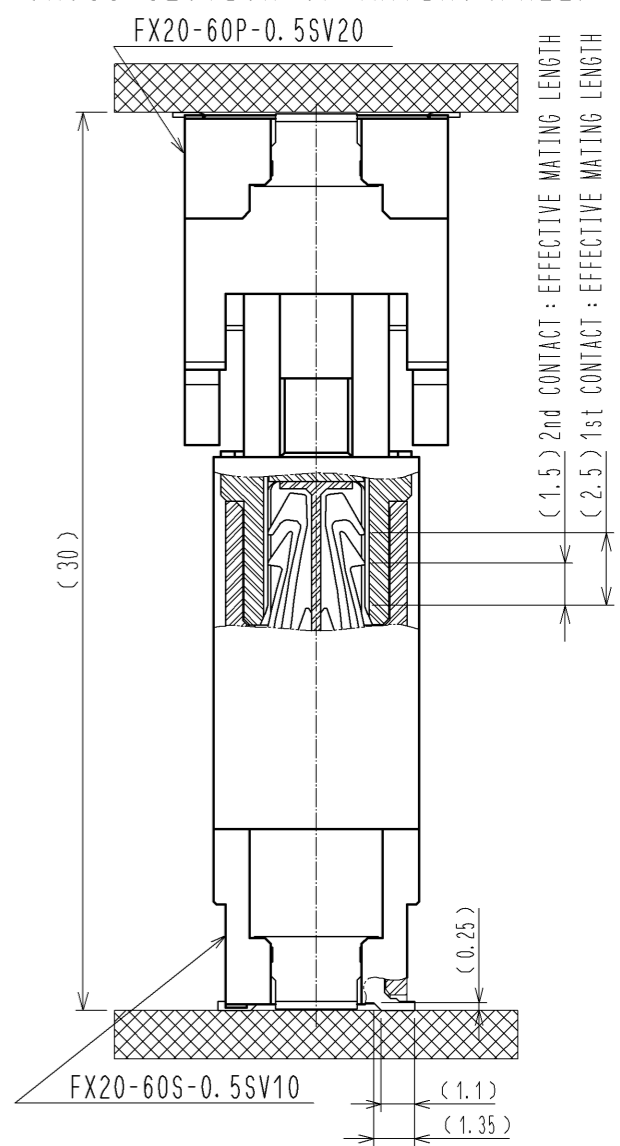


May.1.2023 Copyright 2023 HIROSE ELECTRIC CO., LTD. All Rights Reserved.
 In case of consideration for using Automotive equipment / device which demand high reliability, kindly contact our sales window correspondents.

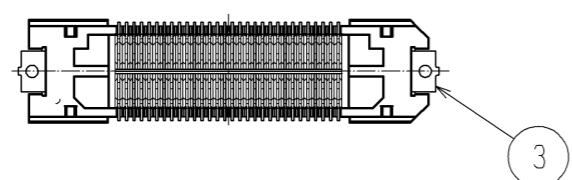
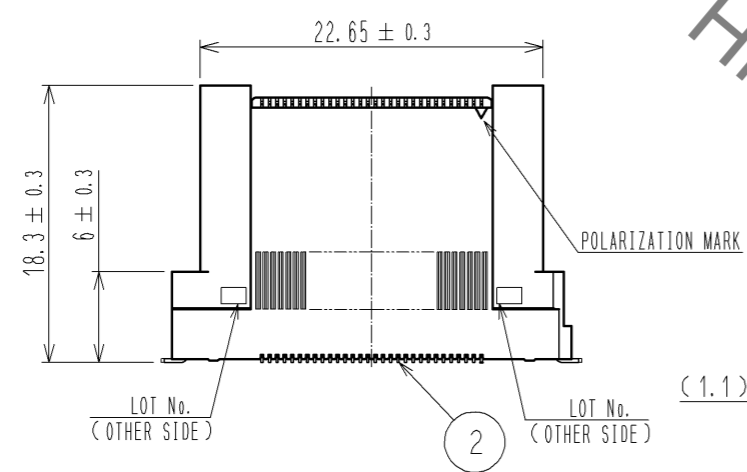
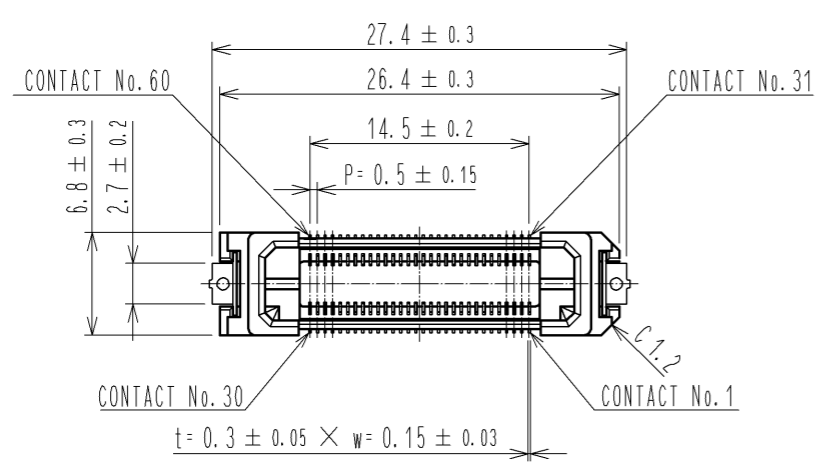
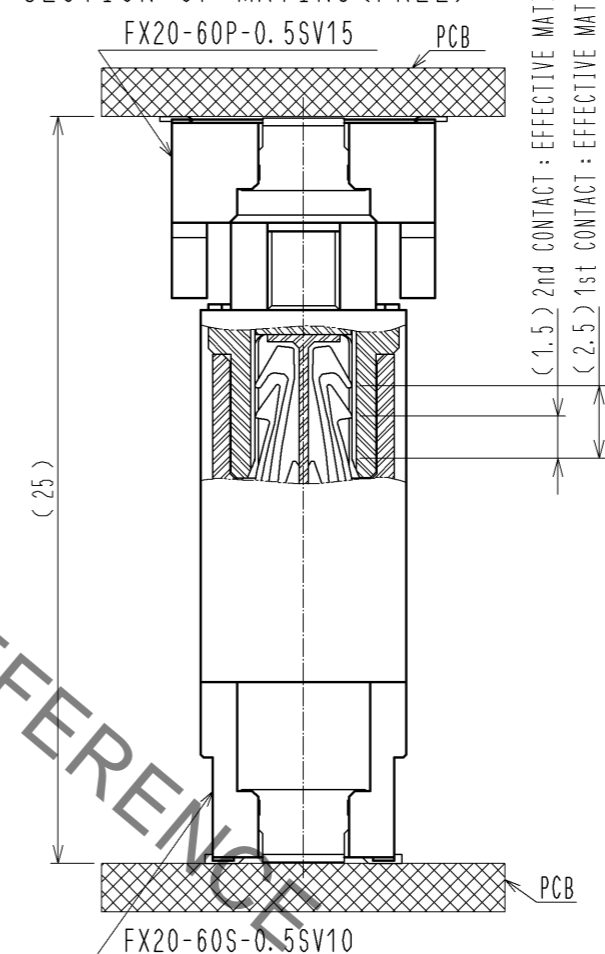
RECOMMENDED LAND PATTERN DIMENSION OF PCB



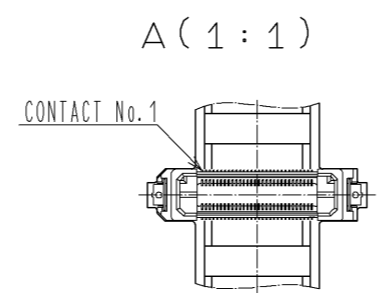
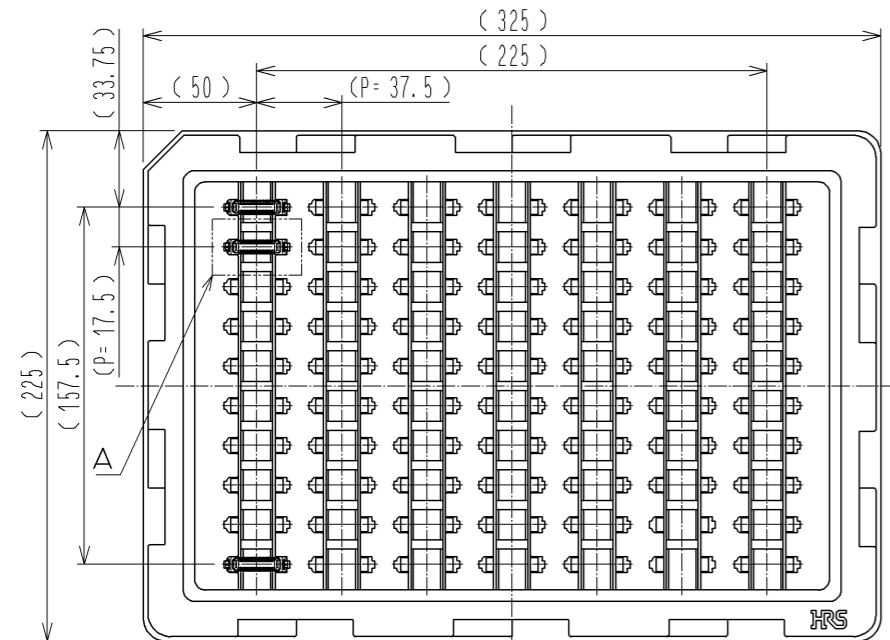
CROSS SECTION OF MATING(FREE)



CROSS SECTION OF MATING(FREE)



2 DRAWING FOR PACKING(FREE)



- NOTE 1 LEAD CO-PLANARITY IS 0.1mm MAX.
 2 THIS IS PACKAGED IN TRAY. (70pcs/TRAY)
 3 BLEMISH AND HIT MARK CAN BE OCCURED THROUGH OUT THE MANUFACTURING PROCESS WHICH DOESN' T AFFECT QUALITY LEVEL.
 4 PLEASE NOTE THAT EXCESSIVE WRENCHING FORCE COULD DAMAGE THIS CONNECTOR. PLEASE REFER TO THE GUIDELINE FOR DETAILED REGULATIONS OF THE MATING METHOD.
 5 THE DIMENSIONS IN PARENTHESES ARE FOR REFERENCES.

1	LCP	BLACK	UL94V-0	3	BRASS	TIN-PLATING 1 μm		
2				2	PHOSPHOR BRONZE	CONTACT AREA:GOLD 0.1 μm LEAD AREA:GOLD 0.03 μm UNDER PLATING:NICKEL 1 μm		
NO.	MATERIAL	FINISH	REMARKS	NO.	MATERIAL	FINISH	REMARKS	
UNITS	mm	SCALE	2:1	COUNT	DESCRIPTION OF REVISIONS	DESIGNED	CHECKED	DATE
APPROVED : HS. OKAWA		12.03.06		DRAWING NO.		EDC3-336345-00		
CHECKED : KI. HIROKAWA		12.03.06		PART NO.		FX20-60S-0.5SV10		
DESIGNED : KT. DOI		12.03.02		CODE NO.		CL570-1108-4-00		
DRAWN : KT. DOI		12.03.02						