



SMD Economy Trimmers



Type 3121 Series



Is this the ultimate in small size electro-mechanical components? Probably not, but certainly so for some long time to come. Just 2.2mm x 2.7mm in size, this tiny surface mount trimmer is offered in a range of values and available from Tyco Electronics NOW. The 3121 covers a board area of approx. 6mm square - about the same size as a 12:06 flat chip. Its adjustment rotor has an unbroken perimeter with internal driver slot allowing standard vacuum nozzles and trim tools to be used.

Key Features

- Consumes Minimal Board Space
- Taped and Reeled (8mm)
- 50V Operating Maximum
- Wide Value Range
- Attractively Priced
- Suited to Pick and Place
- 0.15 Watts Power Rating
- Stable Alumina Substrate

Type 3121 Series

Characteristics - Electrical

Resistance Range:	100R to 1M (Linear)
Resistance Values:	1, 2, 5 in each decade
Resistance Tolerance:	± 25%
Temperature Coefficient of Resistance:	±250ppm/°C (-20°C ~ +85°C)
Continuous Operating Voltage:	50 Volts DC maximum
Power Rating @ 70°C:	0.15 Watt
Effective Electrical Angle:	260° ±20°

Characteristics - Mechanical

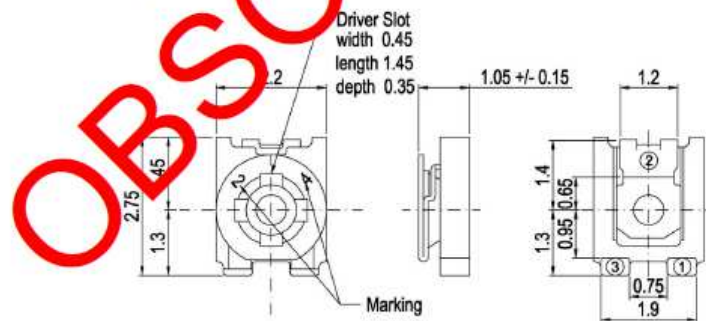
Mechanical Adjustment:	Continuous
Rotational Torque:	1 to 15 mNm
Rotational Life:	±15% maximum change (20 cycles)
Packaging:	3000 pieces per 7" reel

Characteristics - Environmental

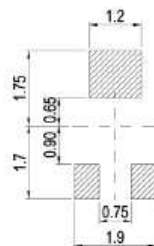
Operating Temperature:	-40°C to +100°C
Storage Temperature:	-10°C to +40°C
Storage Time:	6 Months

For maximum shelf life do not dist. in polythene sleeve until you are ready to use potentiometers.

Dimensions



Recommended Land Pattern



Circuit Diagram

