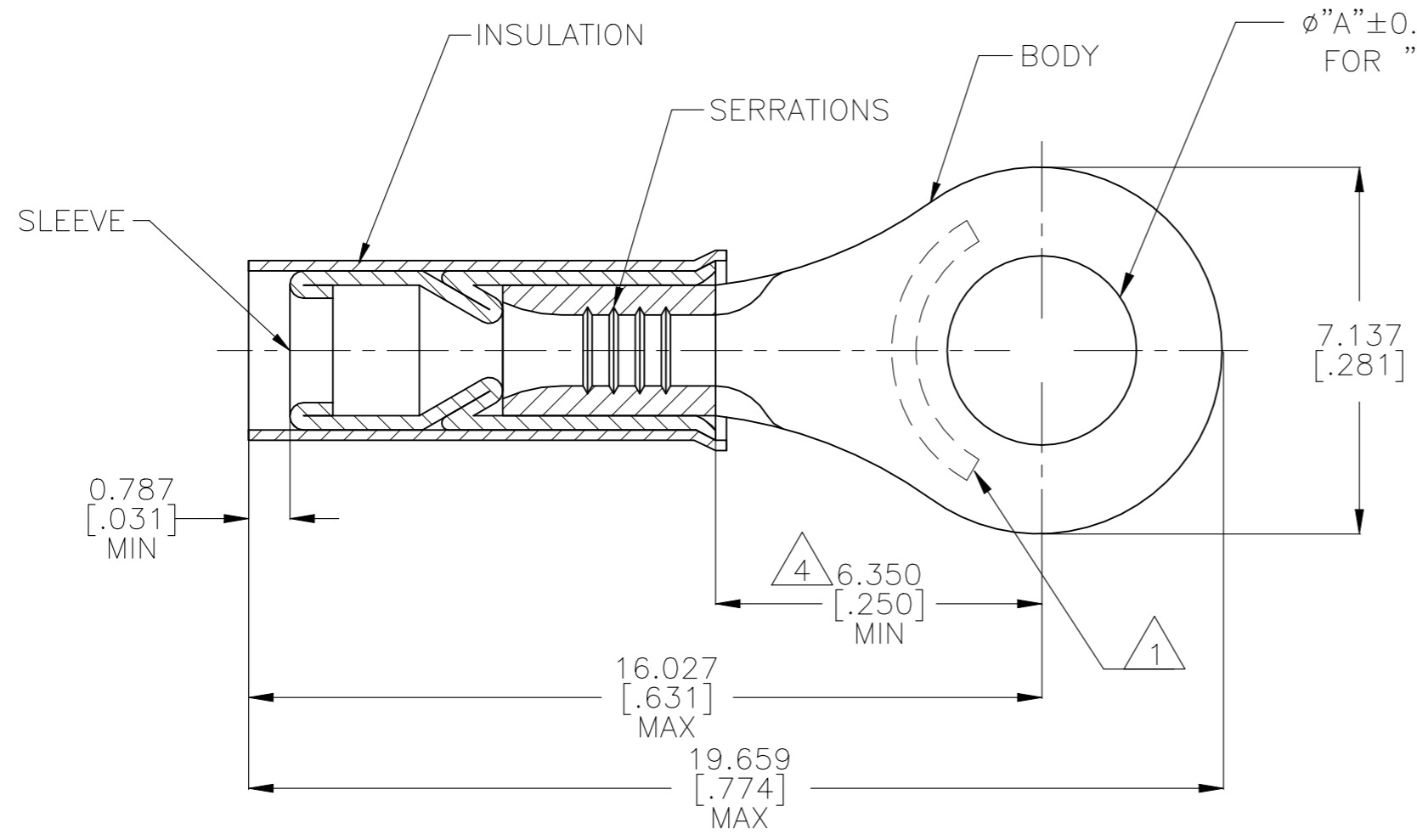


REVISIONS				
P	LTR	DESCRIPTION	DATE	APVD
	N7	ECR-22-138429	18MAY2022	LP DSC

AMP
WIRE RANGE

22-20 AWG
STRANDED



- 1 STAMP AMP 22-20 APPROX AS SHOWN
- 2 FOR 0.889 [.035] TO 2.540 [.100] WIRE INSULATION DIA
- 3 BODY MATERIAL THK: 0.584±0.051 [.023±.002]
- 4 DIMENSION APPLIES FROM EDGE OF METAL WIRE BARREL TO CENTER OF STUD HOLE.
- 5 MATERIAL:
BODY & SLEEVE - COPPER PER ASTM B152
INSULATION - PTFE PER ASTM D4895
- 6 FINISH:
BODY - GOLD PLATE 0.00127 [.00005] MIN EXT THK PER ASTM B488 TYPE 1, CODE C OVER NICKEL PLATE
0.00076 [.00003] AVG EXT THK PER SAE AMS-QQ-N-290
SLEEVE - NICKEL PLATE 0.001651 [.000065] AVG EXT THK PER SAE AMS-QQ-N-290
INSULATION COLOR - GREEN
- 7 NOTE DELETED
- 8 NOTE DELETED

M3.5[#6]	3.683 [.145]	500	LOOSE PIECE	1-332433-0
"B"	"A"	QTY	PACKAGE TYPE	PART NO.

AMP INCORPORATED CUSTOMER SERVICE SYSTEMS		MAX RECOMMENDED OPERATING TEMPERATURE: 260°C [500°F]	THIS DRAWING IS A CONTROLLED DOCUMENT.		DWN JR RUTH 28JAN03	TE Connectivity				
		VOLTAGE RATING: 300V MAX	DIMENSIONS: mm [INCHES]	TOLERANCES UNLESS OTHERWISE SPECIFIED: 0 PLC ± - 1 PLC ± - 2 PLC ± - 3 PLC ± 0.127 [.005] 4 PLC ± - ± - ANGLES ± -	CHK T MICHELUTTI 28JAN03					APVD T MICHELUTTI 28JAN03
FOR ADDITIONAL PRODUCT INFORMATION OR COPIES OF DRAWINGS AND TECHNICAL DOCUMENTS PRODUCT INFORMATION CENTER 1-800-522-6752	FOR APPLICATION TOOLING ASSISTANCE CENTER TOOLING INFORMATION 1-800-722-1111	CIRCULAR MIL AREA: 0.26-0.65mm ² [509-1,290] STRANDED WIRE ONLY	MATERIAL 5	FINISH 6	PRODUCT SPEC -	APPLICATION SPEC 114-2162	SIZE A3	CAGE CODE 00779	DRAWING NO C-332433	RESTRICTED TO -
FOR ORDER ENTRY 1-800-526-5142					WEIGHT -	CUSTOMER DRAWING	SCALE 1:1	SHEET 1 OF 1	REV N7	