

E11509



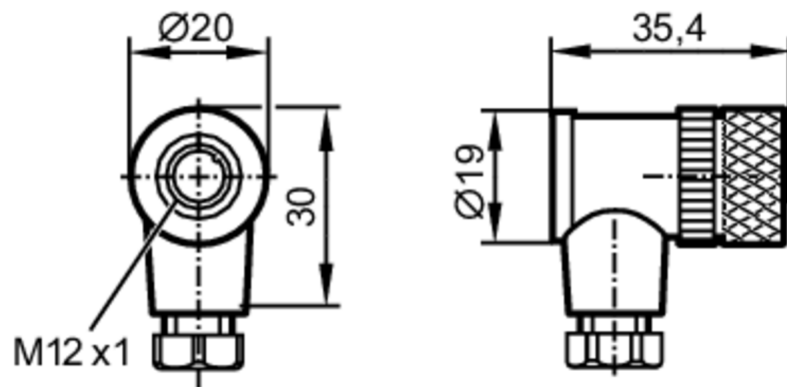
Wirable socket

SDOAH040MSSFKPG

phase-out article

Alternative articles: EVC811

When selecting an alternative article and accessories please note that technical data may differ!



Application

Special feature	Free from silicone; Gold-plated contacts
Free from silicone	yes

Electrical data

Operating voltage [V]	< 45 AC / < 70 DC
Max. current load total [A]	4; (...40 °C)

Operating conditions

Ambient temperature [°C]	-25...85
Protection	IP 68

Mechanical data

Weight [g]	28.3
Materials	PA
Moulded-body material	PA
Material nut	brass, nickel-plated

Remarks

Pack quantity	1 pcs.
---------------	--------

E11509



Wirable socket

SDOAH040MSSFKPG

Electrical connection

screw terminals: ...0.75 mm²; Cable sheath: Ø 4...6 mm

Electrical connection - socket

Connector: 1 x M12, angled; coding: A; Moulded body: PA; Locking: brass, nickel-plated; Contacts: gold-plated



Connection

