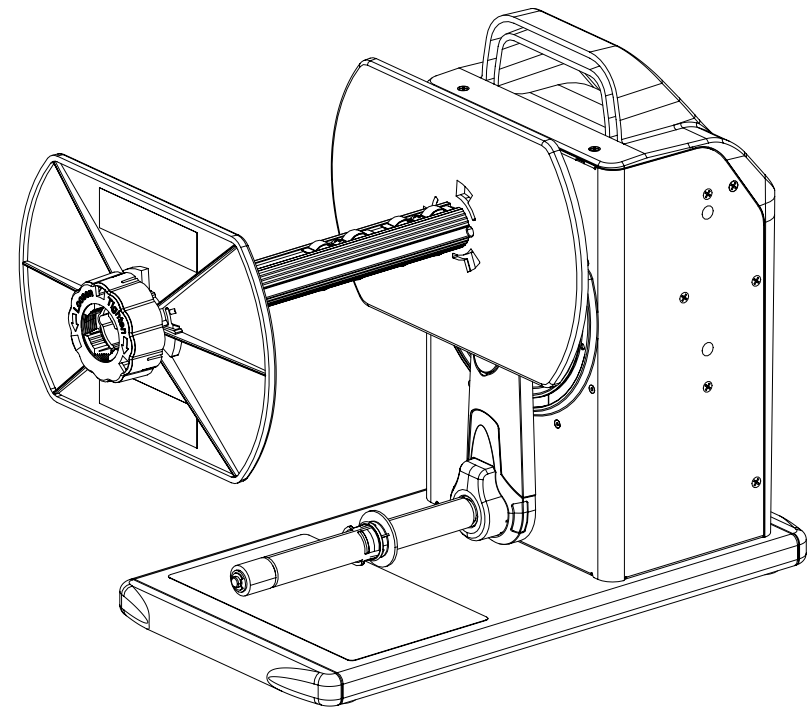
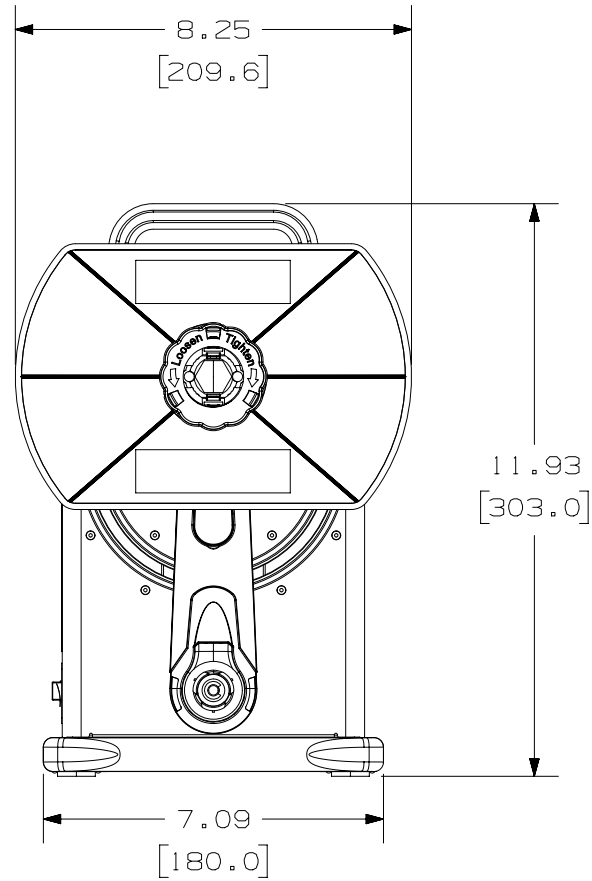
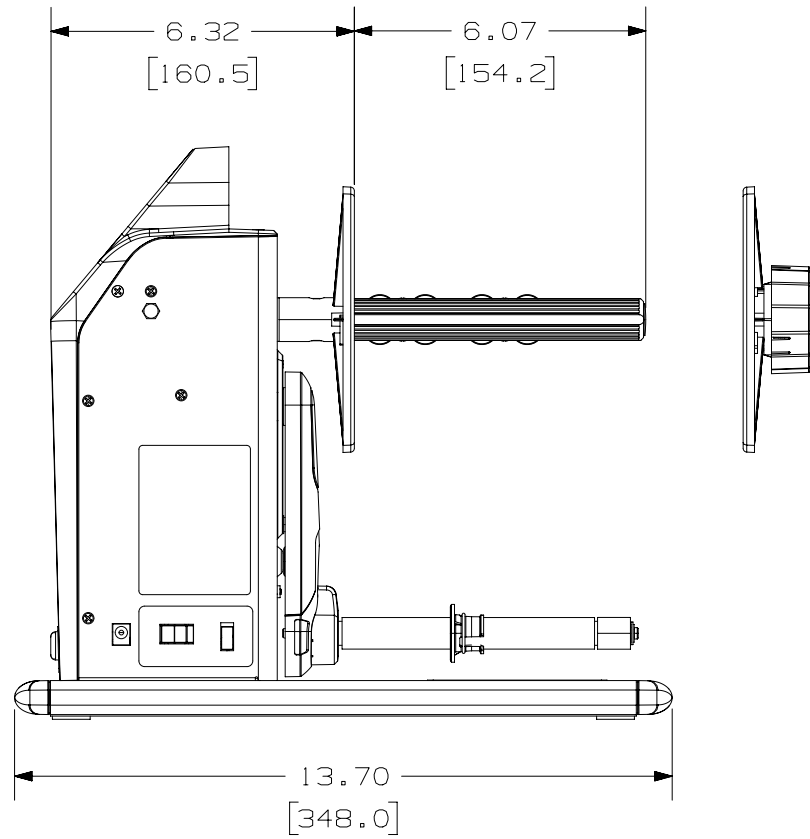
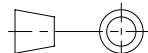


NOTES:

1. VISIT OUR ON-LINE CATALOG AT WWW.PANDUIT.COM FOR A LIST OF CURRENT PARTS APPLICABLE FOR USE WITH THIS PRODUCT.
2. DIMENSIONS IN [] ARE METRIC.
3. ALL MATERIALS AND COMPONENTS USED MEET THE MATERIAL RESTRICTIONS OF RoHS (EUROPEAN DIRECTIVE 2011/65/EU ON THE RESTRICTION OF HAZARDOUS SUBSTANCES) AS PROPOSED BY THE RoHS TECHNICAL ADAPTATION COMMITTEE.
4. WEIGHT: APPROX. 11 Lbs (5.0 Kg)
5. PART INCLUDES: PLA-R
6. TOLERANCES: X.X +/-0.1"
 X.XX +/-0.01"
 X.XXX +/-0.005"



00	09/28/20	LAH	KIPS	RCMC	INITIAL RELEASE	089563
REV	DATE	BY	CHK	APR	DESCRIPTION	ECN

PART NUMBER		00129EHL	
TITLE		PLA-R	
		CUSTOMER DRAWING	
ITEM REVISION NAME		00129EHL/00	
DATASET FILE NAME		00129EHL_DC/00A	
 THIRD ANGLE PROJECTION			
MATERIAL		N/A	
		DRAWING NUMBER	
		00129EHL - DC	
DRAWN BY	DATE	CHK	SCALE
LAH	09/28/20	KIPS	1:4
SHEET 1 OF 1			SIZE
			B

B

B

A

A

B-SIZE CUSTOMER