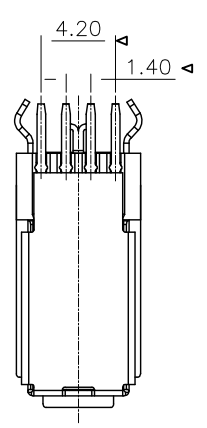
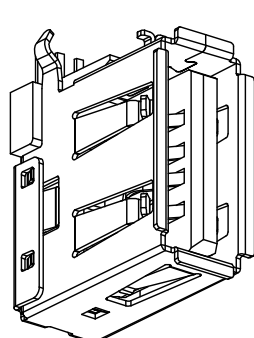
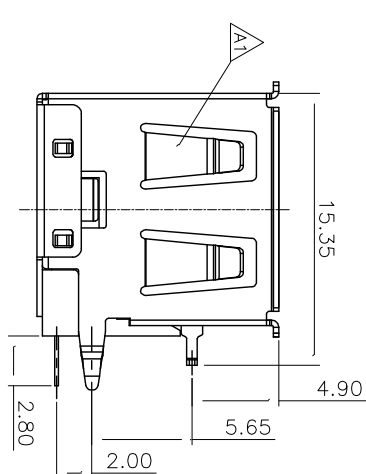
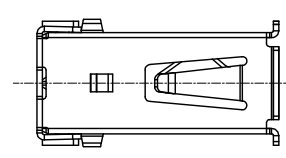
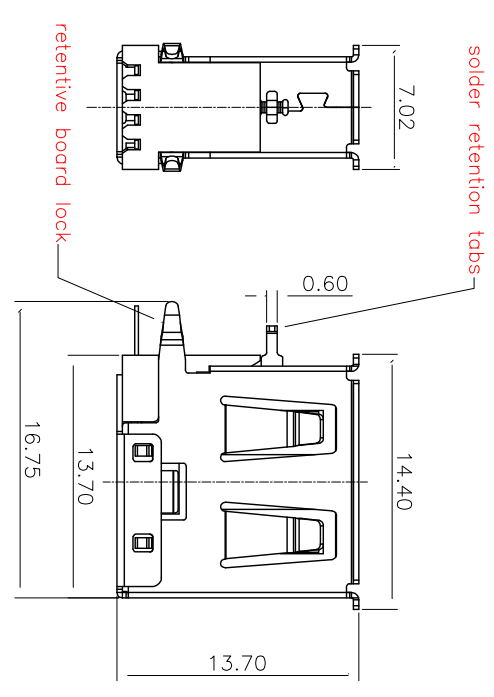


RECOMMEND PCB LAYOUT

NOTE:
 MATERIAL: PBT+30%GF (UL 94V-0)
 HOUSING: PBT+30%GF (UL 94V-0)
 INSULATOR Color: Black
 SHELL:BRASS C2680-H T=0.3mm
 TERMINAL:PHOSPHOR BRONZE C5191-H T=0.20mm
 SPECIFICATION:
 VOLTAGE CURRENT RATING:1AMP 30V DC
 INSULATION RESISTANCE:1000MΩ MIN
 CONTACT RESISTANCE TERMINAL:30mΩ MAX
 WITHSTANDING VOLTAGE:500V AC
 MATING FORCE:30N MAX
 UNMATING FORCE:10N MIN



Pin Number	Signal Name
1	VBUS
2	D-
3	D+
4	GND
Shell	Shield

11/12/17	XIE	EG-N1112018	(新增规格)将原来四弹片加宽，增加接触面积		A1
11/08/05	XIE		NEW DWG		A0
DATE	DR.BY	ECONO.	DESCRIPTION	MARK	VER.

UNLESS OTHERWISE SPECIFIED

-TOLERANCES-

TITLE: USB 4P A/F DIP 90度侧插式
 三只脚成品

CnC Tech,LLC

X.X	±0.30	X.X°	±3.00°	APPD:	PRODUCT NO: 1001-008-01001	DATE	SCALE	UNIT	TYPE	PAGE
X.XX	±0.25	X.XX°	±2.00°	CHECK:		2011.08.05	1:1	mm	Z	1/1
X.XXX	±0.15	X.XXX°	±1.00°	DRAW:						