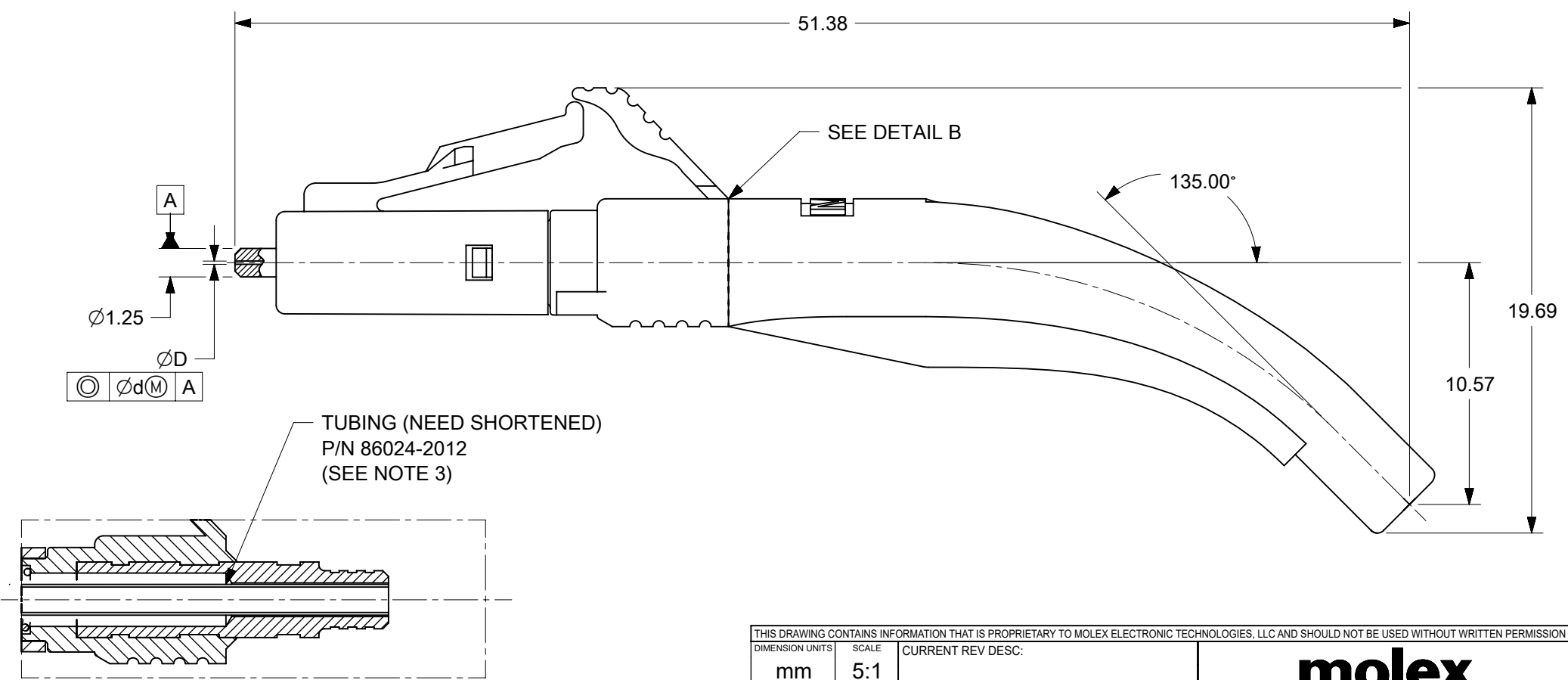
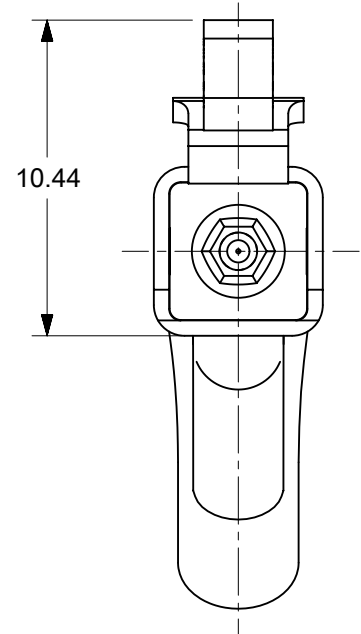
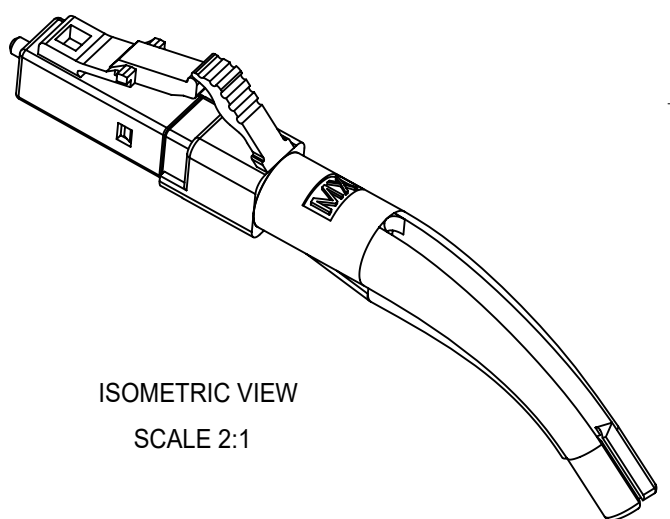
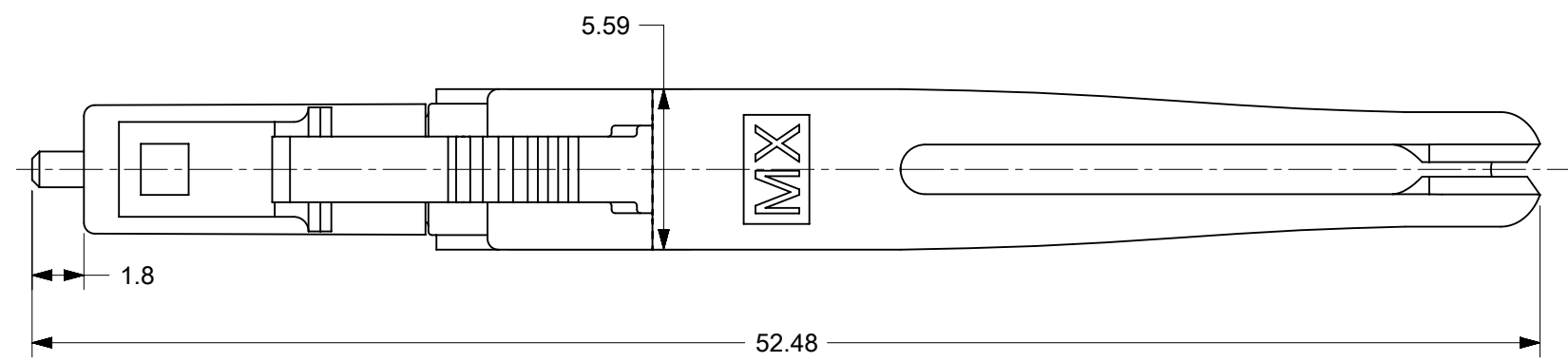
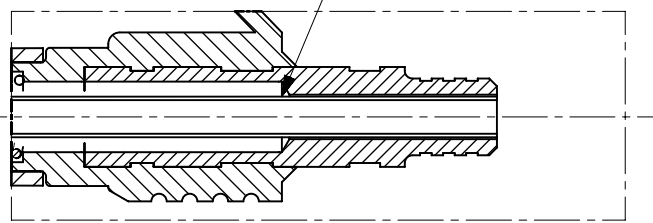


CONNECTOR P/N	ØD (µm)	Ød (µm)	CONN. BODY COLOR	BOOT COLOR	CABLE Ø(mm)	CABLE TYPE
106024-7110	125+0.5/-0	0.5	BLUE	WHITE	1.6	SINGLE MODE
106024-7115					1.6 ZIPCORD&2.0	
106024-7120	125.25+0.5/-0				1.6	
106024-7125					1.6 ZIPCORD&2.0	
106024-7130	125.5+0.5/-0				1.6	
106024-7135					1.6 ZIPCORD&2.0	
106024-7140	126+1/-0	1			1.6	
106024-7145					1.6 ZIPCORD&2.0	
106024-7150	125+0.5/-0				1.6	
106024-7155					1.6 ZIPCORD&2.0	
106024-7160	125.25+0.5/-0				1.6	
106024-7165					1.6 ZIPCORD&2.0	
106024-7170	125.5+1.0/-0	1.6				
106024-7175		1.6 ZIPCORD&2.0				
106024-7180	127+3/-0	3	BEIGE		1.6	MULTIMODE
106024-7185					1.6 ZIPCORD&2.0	



TUBING (NEED SHORTENED)  
P/N 86024-2012  
(SEE NOTE 3)



DETAIL B  
BOOT (ITEM 2) AND CRIMP TUBING (ITEM 3)  
ARE NOT SHOWN

- NOTES:
1. ALL DIMENSIONS ARE FOR REFERENCE ONLY.
  2. DUST CAP IS NOT SHOWN.
  3. TUBING MUST BE SHORTENED AFTER FILLING THE EPOXY ACCORDING TO THE TERMINATION PROCEDURE P/N PS-86028-2000

THIS DRAWING CONTAINS INFORMATION THAT IS PROPRIETARY TO MOLEX ELECTRONIC TECHNOLOGIES, LLC AND SHOULD NOT BE USED WITHOUT WRITTEN PERMISSION									
DIMENSION UNITS		SCALE		CURRENT REV DESC:					
mm		5:1		EC NO: 695254					
GENERAL TOLERANCES (UNLESS SPECIFIED)				4 PLACES		±		DRWN: JHUANG18 2022/02/15	
ANGULAR TOL				±		0.5°		CHKD: IGUMIN 2022/04/29	
3 PLACES				±				APPR: IGUMIN 2022/04/29	
2 PLACES				±				INITIAL REVISION:	
1 PLACE				±				DRWN: PGIBLIN 2006/02/07	
0 PLACES				±				APPR: IGUMIN 2006/02/07	
DRAFT WHERE APPLICABLE MUST REMAIN WITHIN DIMENSIONS		THIRD ANGLE PROJECTION		DRAWING		SERIES		MATERIAL NUMBER	
		B-SIZE		106024		SEE TABLE		CUSTOMER	
								GENERAL MARKET	
								SHEET NUMBER	
								1 OF 1	