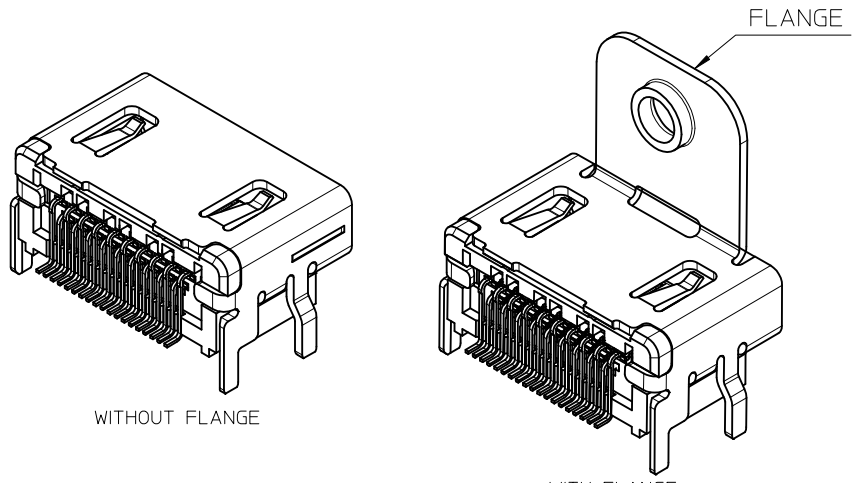
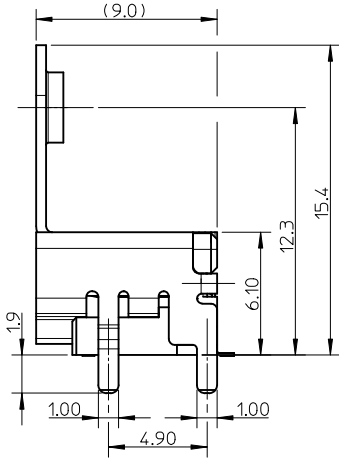
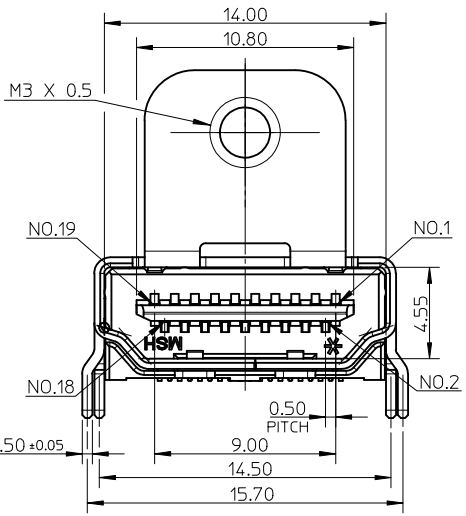
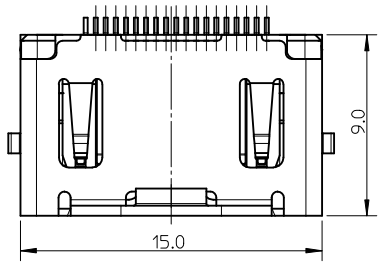
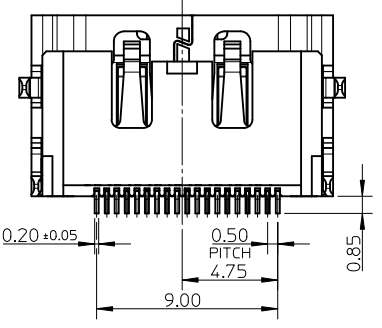


10 9 8 7 6 5 4 3 2 1



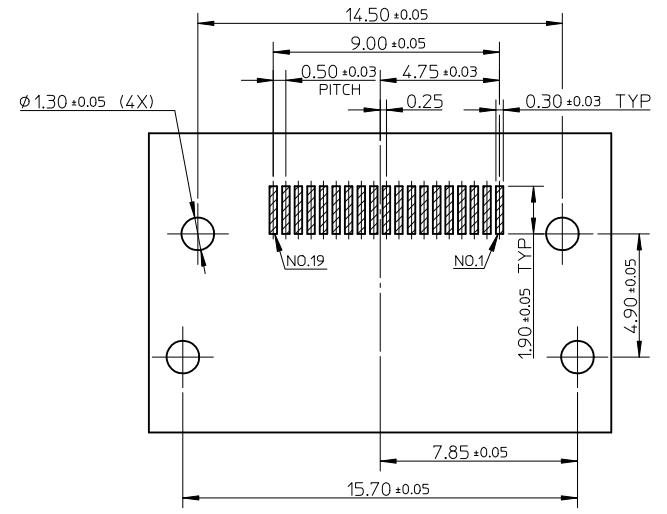
- NOTES:
- MATERIALS:
    - HOUSING: HIGH TEMPERATURE THERMAL PLASTIC. COLOR: SEE TABLE.
    - SHELL: COPPER ALLOY.
    - TERMINAL: COPPER ALLOY.
  - FINISHES:
    - CONTACT AREA: (1) 0.76 MICROMETER MIN. GOLD PLATING. (2) 0.25 MICROMETER MIN. GOLD PLATING. (3) GOLD FLASH. (4) GOLD FLASH OVER PD/NI
    - SOLDER AREA: 1 MICROMETER MIN. TIN-BISMUTH ALLOY PLATING.
    - UNDER PLATE: 1.27 MICROMETER MIN. NICKEL PLATING.
    - SHELL: (1) 1.27 MICROMETER MIN. MATTE TIN PLATING OVERALL. (2) 0.75 MICROMETER MIN. SOLDERABLE NICKEL PLATING OVERALL.
  - PRODUCT SPECIFICATION: PS-47152-001 , TBA FOR PD/NI OPTION
  - PACKAGING SPECIFICATION: SEE TABLE
  - TERMINAL RETENTION FORCE TO BE 0.3kgf Min.
  - COPLANARITY OF ALL TERMINALS IS 0.10mm MAX.
  - PRODUCT COMPLIANT TO RoHS DIRECTIVE 2002/95/EC AND ELV DIRECTIVE 2000/53/EC.



ADD PART NO. EC NO: S2012-0578 DRWN: JZENG 2012/01/18 CH'KD: JESSIECHUA 2012/03/15 APPR: NAGESHKN 2012/03/19	QUALITY SYMBOLS F=0 F=0 F=0	GENERAL TOLERANCES (UNLESS SPECIFIED)		DIMENSION STYLE MM ONLY		SCALE NTS	DESIGN UNITS METRIC	THIRD ANGLE PROJECTION			
		4 PLACES ± --- ± --- 3 PLACES ± --- ± --- 2 PLACES ± 0.20 ± --- 1 PLACE ± 0.30 ± ---	m.m INCH ± --- ± --- ± 0.20 ± --- ± 0.30 ± ---	DRAWN BY ROST ZHANG	DATE 2005/05/20	TITLE HDMI RECEPTACLE W/SCREW R/A SMT CUSTOMER DRAWING					
		ANGULAR ± 2 °		CHECKED BY GRATE MA	DATE 2005/05/20	MOLEX MOLEX INCORPORATED					
		DRAFT WHERE APPLICABLE MUST REMAIN WITHIN DIMENSIONS		APPROVED BY XJSONG	DATE 2010/01/26	MATERIAL NO. SEE TABLE		DOCUMENT NO. SD-47266-001	SHEET NO. 1 OF 2		

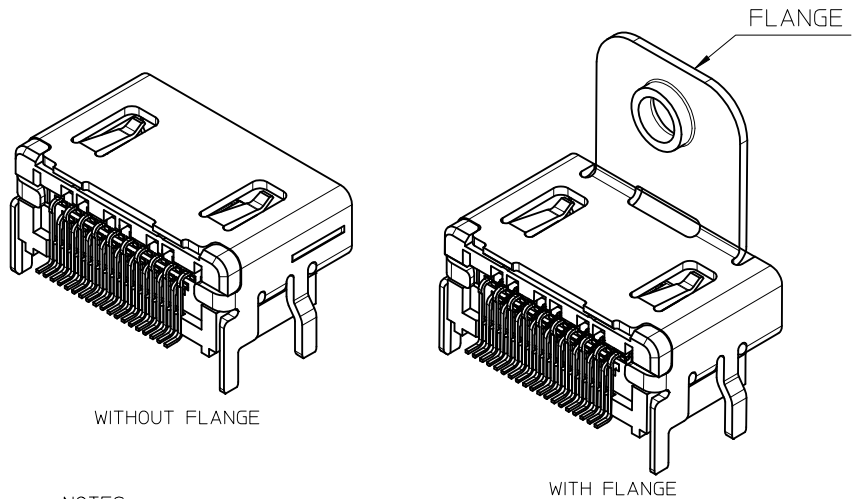
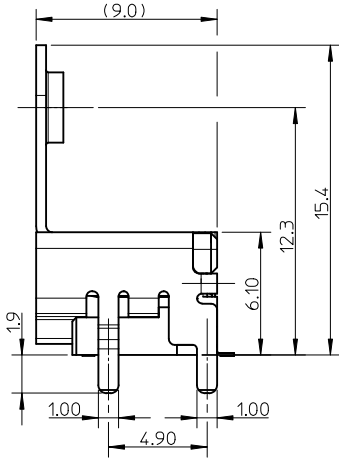
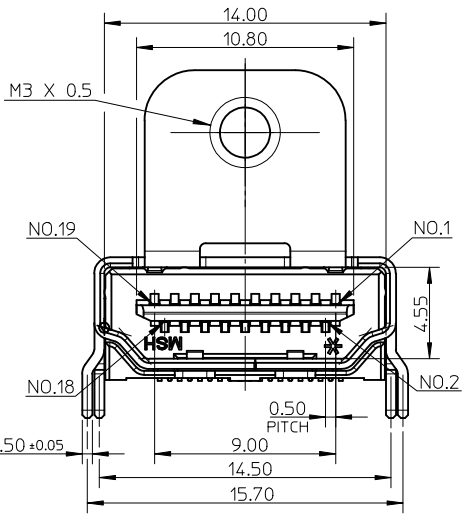
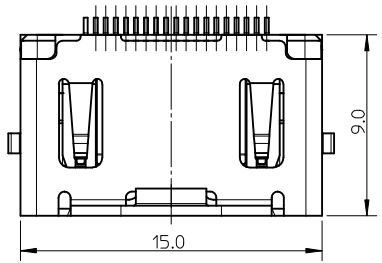
9 8 7 6 5 4 3 2 1

	10	9	8	7	6	5	4	3	2	1
F	47266-2301	BLACK	SEE NOTE 2(4)	MATTE TIN	WITHOUT FLANGE	TAPE & REEL, PK-47266-001				
	WITH FLANGE				TRAY, PK-47266-002					
F	47266-7211	NATURE	SEE NOTE 2(3)	SOLDERABLE NICKEL	WITHOUT FLANGE	TAPE & REEL, PK-47266-001				
	47266-7111					SEE NOTE 2(2)				
	47266-7011					SEE NOTE 2(1)				
	47266-6301					SEE NOTE 2(4)				
E	47266-6201	BLACK	SEE NOTE 2(3)	SOLDERABLE NICKEL	WITHOUT FLANGE	TAPE & REEL, PK-47266-001				
	47266-6101					SEE NOTE 2(2)				
	47266-6001					SEE NOTE 2(1)				
	47266-5211					SEE NOTE 2(3)				
E	47266-5111	NATURE	SEE NOTE 2(2)	SOLDERABLE NICKEL	WITH FLANGE	TAPE & REEL, PK-47266-003				
	47266-5011					SEE NOTE 2(1)				
	47266-4211					SEE NOTE 2(3)				
	47266-4111					SEE NOTE 2(2)				
D	47266-4011	BLACK	SEE NOTE 2(1)	SOLDERABLE NICKEL	WITH FLANGE	TAPE & REEL, PK-47266-003				
	47266-5201					SEE NOTE 2(3)				
	47266-5101					SEE NOTE 2(2)				
	47266-5001					SEE NOTE 2(1)				
D	47266-4201	BLACK	SEE NOTE 2(3)	SOLDERABLE NICKEL	WITH FLANGE	TRAY, PK-47266-002				
	47266-4101					SEE NOTE 2(2)				
	47266-4001					SEE NOTE 2(1)				
	47266-3201					SEE NOTE 2(3)				
C	47266-3101	NATURE	SEE NOTE 2(2)	MATTE TIN	WITHOUT FLANGE	TAPE & REEL, PK-47266-001				
	47266-3001					SEE NOTE 2(1)				
	47266-2201					SEE NOTE 2(3)				
	47266-2101					SEE NOTE 2(2)				
C	47266-2001	BLACK	SEE NOTE 2(1)	MATTE TIN	WITHOUT FLANGE	TAPE & REEL, PK-47266-001				
	47266-1211					SEE NOTE 2(3)				
	47266-1111					SEE NOTE 2(2)				
	47266-1011					SEE NOTE 2(1)				
B	47266-0211	BLACK	SEE NOTE 2(3)	MATTE TIN	WITH FLANGE	TAPE & REEL, PK-47266-003				
	47266-0111					SEE NOTE 2(2)				
	47266-0011					SEE NOTE 2(1)				
	47266-1201					SEE NOTE 2(3)				
B	47266-1101	NATURE	SEE NOTE 2(2)	MATTE TIN	WITH FLANGE	TRAY, PK-47266-005				
	47266-1001					SEE NOTE 2(1)				
	47266-0201					SEE NOTE 2(3)				
	47266-0102					SEE NOTE 2(2)				
	47266-0001	BLACK	SEE NOTE 2(1)	MATTE TIN	WITH FLANGE	TRAY, PK-47266-002				
P/N	HOUSING COLOR					CONTACT AREA PLATING	SHELL PLATING	REMARK	PACKAGING SPECIFICATION	

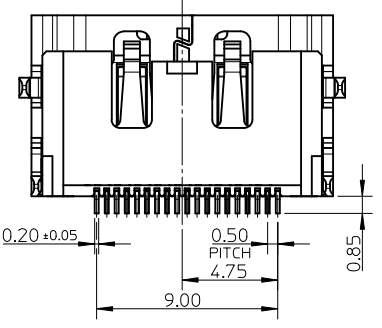


RECOMMEND PCB LAYOUT  
CONNECTOR SIDE VIEW

ADD PART NO. EC NO: S2012-0578 DRWN: JZENG 2012/01/18 CHKD: JESSIECHUA 2012/03/15 APPR: NAGESHKN 2012/03/19	DESCRIPTION	QUALITY SYMBOLS ▽ <sub>A</sub> =0 ▽ <sub>C</sub> =0 ▽ <sub>P</sub> =0	GENERAL TOLERANCES (UNLESS SPECIFIED)		DIMENSION STYLE MM ONLY		SCALE NTS	DESIGN UNITS METRIC	THIRD ANGLE PROJECTION		
				mm	INCH	DRAWN BY ROST ZHANG	DATE 2005/05/20	TITLE HDMI RECEPTACLE W/SCREW R/A SMT CUSTOMER DRAWING			
			4 PLACES	± ---	± ---	CHECKED BY GRATE MA	DATE 2005/05/20				
			3 PLACES	± ---	± ---	APPROVED BY XJSONG	DATE 2010/01/26				
2 PLACES	± 0.20	± ---	ANGULAR ± 2 °		MATERIAL NO. SEE TABLE		DOCUMENT NO. SD-47266-001		SHEET NO. 2 OF 2		
1 PLACE	± 0.30	± ---	DRAFT WHERE APPLICABLE MUST REMAIN WITHIN DIMENSIONS		THIS DRAWING CONTAINS INFORMATION THAT IS PROPRIETARY TO MOLEX INCORPORATED AND SHOULD NOT BE USED WITHOUT WRITTEN PERMISSION						

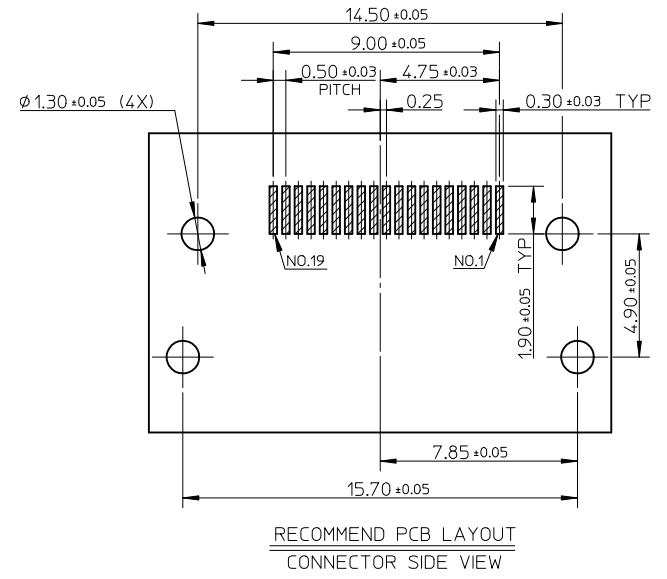


- NOTES:
- MATERIALS:
    - HOUSING: HIGH TEMPERATURE THERMAL PLASTIC. COLOR: SEE TABLE.
    - SHELL: COPPER ALLOY.
    - TERMINAL: COPPER ALLOY.
  - FINISHES:
    - CONTACT AREA: (1) 0.76 MICROMETER MIN. GOLD PLATING. (2) 0.25 MICROMETER MIN. GOLD PLATING. (3) GOLD FLASH. (4) GOLD FLASH OVER PD/NI
    - SOLDER AREA: 1 MICROMETER MIN. TIN-BISMUTH ALLOY PLATING.
    - UNDER PLATE: 1.27 MICROMETER MIN. NICKEL PLATING.
    - SHELL: (1) 1.27 MICROMETER MIN. MATTE TIN PLATING OVERALL. (2) 0.75 MICROMETER MIN. SOLDERABLE NICKEL PLATING OVERALL.
  - PRODUCT SPECIFICATION: PS-47152-001 , TBA FOR PD/NI OPTION
  - PACKAGING SPECIFICATION: SEE TABLE
  - TERMINAL RETENTION FORCE TO BE 0.3kgf Min.
  - COPLANARITY OF ALL TERMINALS IS 0.10mm MAX.
  - PRODUCT COMPLIANT TO RoHS DIRECTIVE 2002/95/EC AND ELV DIRECTIVE 2000/53/EC.



ADD PART NO. EC NO: S2012-0578 DRWN: JZENG 2012/01/18 CH'KD: JESSIECHUA 2012/03/15 APPR: NAGESHKN 2012/03/19	QUALITY SYMBOLS F=0 F=0 F=0	GENERAL TOLERANCES (UNLESS SPECIFIED)		DIMENSION STYLE MM ONLY		SCALE NTS	DESIGN UNITS METRIC	THIRD ANGLE PROJECTION		
			m.m	INCH	DRAWN BY	DATE	TITLE HDMI RECEPTACLE W/SCREW R/A SMT CUSTOMER DRAWING			
		4 PLACES	± ---	± ---	ROST ZHANG	2005/05/20	MOLEX INCORPORATED			
		3 PLACES	± ---	± ---	CHECKED BY	DATE	DOCUMENT NO. SD-47266-001			
	2 PLACES	± 0.20	± ---	GRATE MA	2005/05/20	SHEET NO. 1 OF 2				
	1 PLACE	± 0.30	± ---	APPROVED BY	DATE	THIS DRAWING CONTAINS INFORMATION THAT IS PROPRIETARY TO MOLEX INCORPORATED AND SHOULD NOT BE USED WITHOUT WRITTEN PERMISSION				
	ANGULAR ± 2 °		MATERIAL NO.		SEE TABLE					
DRAFT WHERE APPLICABLE MUST REMAIN WITHIN DIMENSIONS		SIZE A3								

	10	9	8	7	6	5	4	3	2	1
F	47266-2301	BLACK	SEE NOTE 2(4)	MATTE TIN	WITHOUT FLANGE	TAPE & REEL, PK-47266-001				
	WITH FLANGE				TRAY, PK-47266-002					
F	47266-7211	NATURE	SEE NOTE 2(3)	SOLDERABLE NICKEL	WITHOUT FLANGE	TAPE & REEL, PK-47266-001				
	47266-7111					SEE NOTE 2(1)				
	47266-7011									
	47266-6301									
E	47266-6301	BLACK	SEE NOTE 2(4)	SOLDERABLE NICKEL	WITHOUT FLANGE	TAPE & REEL, PK-47266-001				
	47266-6201					SEE NOTE 2(2)				
	47266-6101									
	47266-6001									
E	47266-5211	NATURE	SEE NOTE 2(3)	SOLDERABLE NICKEL	WITH FLANGE	TAPE & REEL, PK-47266-003				
	47266-5111					SEE NOTE 2(1)				
	47266-5011									
	47266-4211									
D	47266-4111	BLACK	SEE NOTE 2(2)	SOLDERABLE NICKEL	WITH FLANGE	TAPE & REEL, PK-47266-003				
	47266-4011					SEE NOTE 2(3)				
	47266-5201									
	47266-5101									
D	47266-5101	NATURE	SEE NOTE 2(2)	SOLDERABLE NICKEL	WITH FLANGE	TRAY, PK-47266-002				
	47266-5001					SEE NOTE 2(1)				
	47266-4201									
	47266-4101									
C	47266-4001	BLACK	SEE NOTE 2(1)	SOLDERABLE NICKEL	WITH FLANGE	TRAY, PK-47266-002				
	47266-3201					SEE NOTE 2(3)				
	47266-3101									
	47266-3001									
C	47266-2201	BLACK	SEE NOTE 2(3)	MATTE TIN	WITHOUT FLANGE	TAPE & REEL, PK-47266-001				
	47266-2101					SEE NOTE 2(2)				
	47266-2001									
	47266-1211									
B	47266-1111	NATURE	SEE NOTE 2(2)	MATTE TIN	WITH FLANGE	TAPE & REEL, PK-47266-003				
	47266-1011					SEE NOTE 2(1)				
	47266-0211									
	47266-0111									
B	47266-0111	BLACK	SEE NOTE 2(2)	MATTE TIN	WITH FLANGE	TAPE & REEL, PK-47266-003				
	47266-1201					SEE NOTE 2(3)				
	47266-1101									
	47266-1001									
A	47266-0201	NATURE	SEE NOTE 2(3)	MATTE TIN	WITH FLANGE	TRAY, PK-47266-005				
	47266-0102					SEE NOTE 2(2)				
	47266-0101									
	47266-0001									
	P/N	HOUSING COLOR	CONTACT AREA PLATING	SHELL PLATING	REMARK	PACKAGING SPECIFICATION				



<b>ADD PART NO.</b> EC NO: S2012-0578 DRWN: JZENG 2012/01/18 CHKD: JESSIECHUA 2012/03/15 APPR: NAGESHKN 2012/03/19	<b>DESCRIPTION</b> QUALITY SYMBOLS $\nabla_A = 0$ $\nabla_C = 0$ $\nabla_P = 0$	<b>GENERAL TOLERANCES (UNLESS SPECIFIED)</b>		<b>DIMENSION STYLE</b> MM ONLY	<b>SCALE</b> NTS	<b>DESIGN UNITS</b> METRIC	THIRD ANGLE PROJECTION		
		4 PLACES ± --- ± --- 3 PLACES ± --- ± --- 2 PLACES ± 0.20 ± --- 1 PLACE ± 0.30 ± ---	mm INCH ± --- ± --- ± 0.20 ± --- ± 0.30 ± ---	DRAWN BY ROST ZHANG	DATE 2005/05/20	<b>TITLE</b> HDMI RECEPTACLE W/SCREW R/A SMT CUSTOMER DRAWING			
		ANGULAR ± 2 °		CHECKED BY GRATE MA	DATE 2005/05/20	<b>MOLEX INCORPORATED</b>			
		DRAFT WHERE APPLICABLE MUST REMAIN WITHIN DIMENSIONS		APPROVED BY XJSONG	DATE 2010/01/26	MATERIAL NO. SEE TABLE	DOCUMENT NO. SD-47266-001	SHEET NO. 2 OF 2	