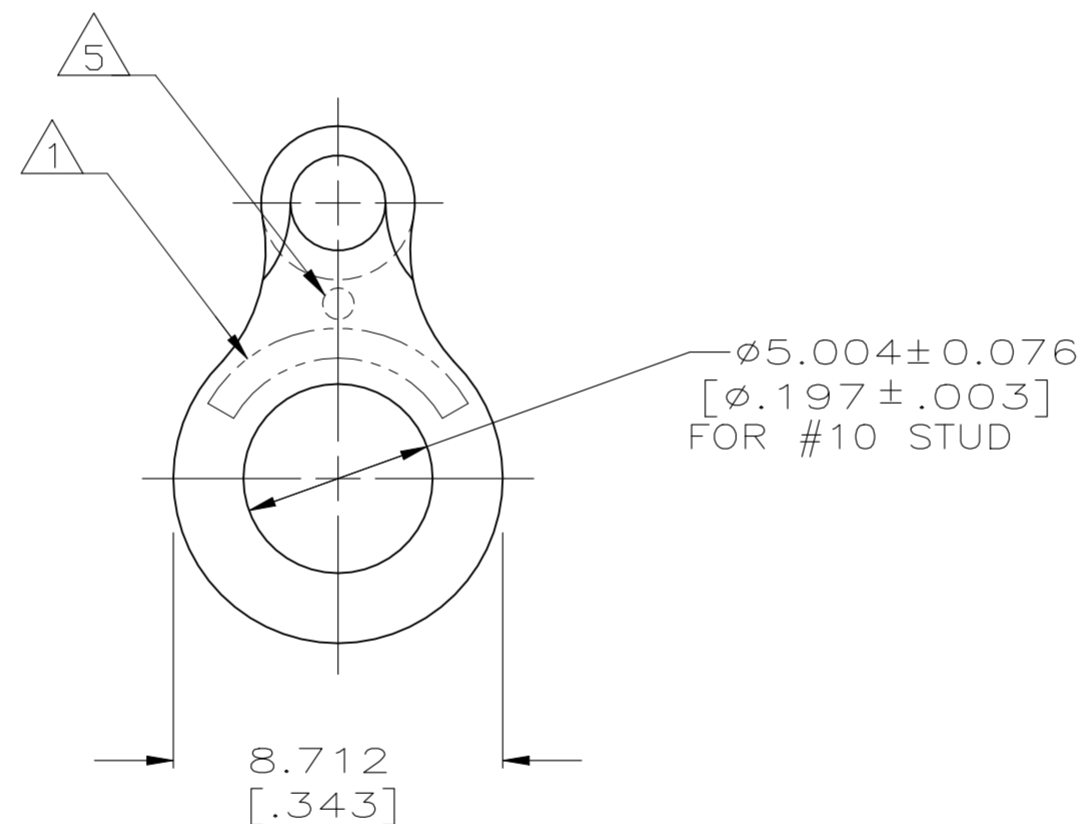
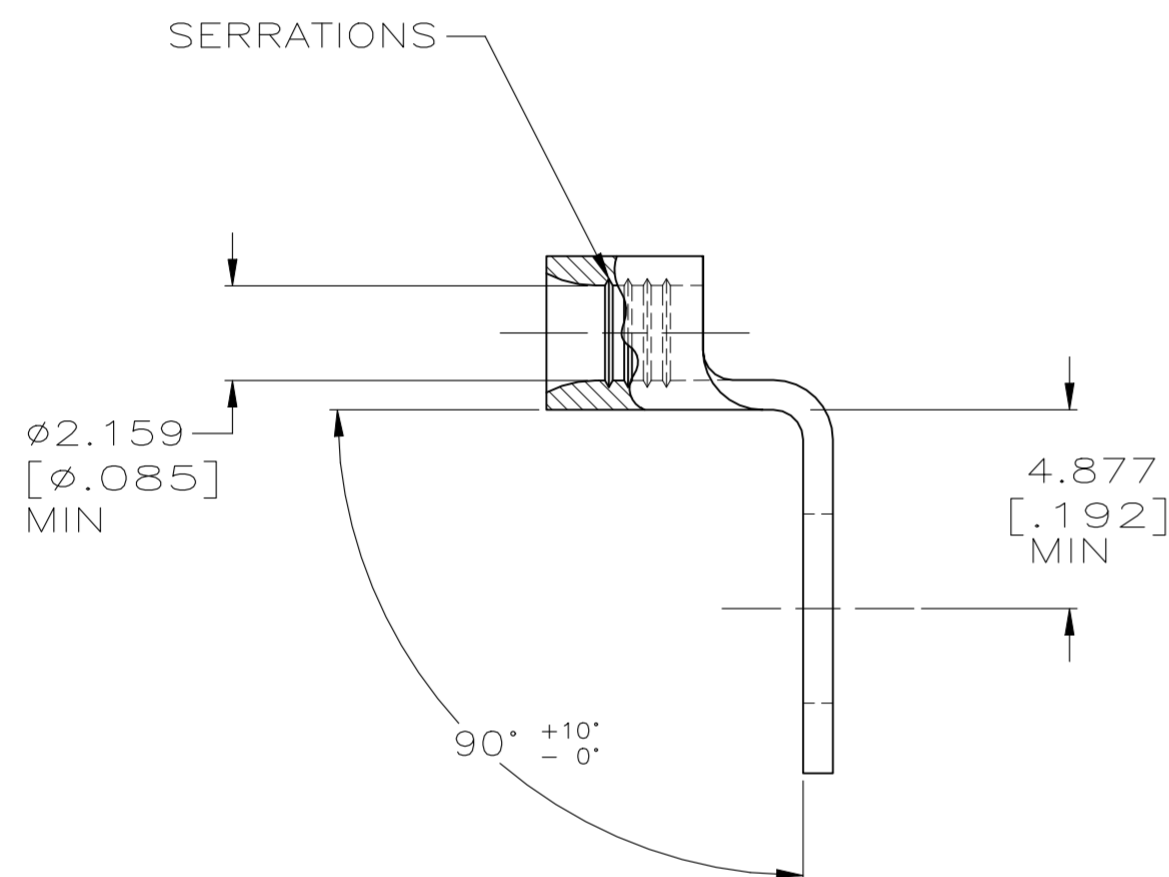
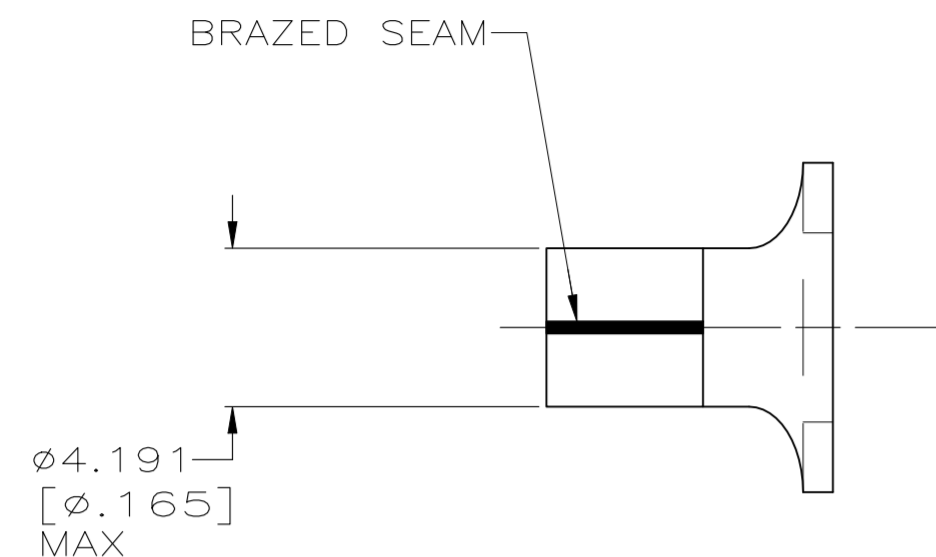


REVISIONS				
P	LTR	DESCRIPTION	DATE	APVD
J		REVISED PER ECR-22-152397	09OCT2022	BB DSC



AMP WIRE RANGE	E13288 Listed
16-14 AWG SOLID OR STRANDED	NOT APPLICABLE
LR7189 Certified	MILITARY P/N AND CLASS
NOT APPLICABLE	NOT APPLICABLE



- 1 STAMP AMP 16-14* APPROX AS SHOWN
- 2 MATERIAL: COPPER PER ASTM B152, ANNEALED
- 3 FINISH: TIN PLATE 0.00254[.000100] MIN EXT THK PER ASTM B545
- 4 BODY MATERIAL THK: 0.787±0.051[.031±.002]
- 5 "O" STAMP MARK OPTIONAL

1000	LOOSE PIECE	322821
QUANTITY	PACKAGING TYPE	PART NO

AMP INCORPORATED CUSTOMER SERVICE SYSTEMS		MAX. RECOMMENDED OPERATING TEMPERATURE: 170° C [338°F]	THIS DRAWING IS A CONTROLLED DOCUMENT.		DWN DK_SCHRUM 7/30/93	TE Connectivity
FOR ADDITIONAL PRODUCT INFORMATION OR COPIES OF DRAWINGS AND TECHNICAL DOCUMENTS	PRODUCT INFORMATION CENTER 1-800-522-6752	VOLTAGE RATING: NOT APPLICABLE	DIMENSIONS: mm [INCHES]	TOLERANCES UNLESS OTHERWISE SPECIFIED:	CHK DA PATTERSON 8/2/93	
FOR APPLICATION	TOOLING ASSISTANCE CENTER 1-800-722-1111	WIRE CROSS SECTIONAL AREA RANGE: 1.04-2.62mm² [2050-5180] CIR MILS SOLID OR STRANDED		0 PLC ± - 1 PLC ± - 2 PLC ± - 3 PLC ± 0.127[.005] 4 PLC ± - ANGLES ± -	APVD RE ROSER/JL MECKLEY 8/2/93	NAME UL 486A-B
TOOLING INFORMATION	1-800-722-1111		MATERIAL	FINISH	PRODUCT SPEC APPLICATION SPEC	SIZE A2
FOR ORDER ENTRY	1-800-526-5142	THIS DRAWING IS A CONTROLLED DOCUMENT FOR AMP INCORPORATED. IT IS SUBJECT TO CHANGE AND THE CONTROLLING ENGINEERING ORGANIZATION SHOULD BE CONTACTED FOR THE LATEST REVISION.			WEIGHT -	CAGE CODE 00779
					CUSTOMER DRAWING	DRAWING NO C=322821
						RESTRICTED TO -
						SCALE 5:1
						SHEET 1 of 1
						REV J