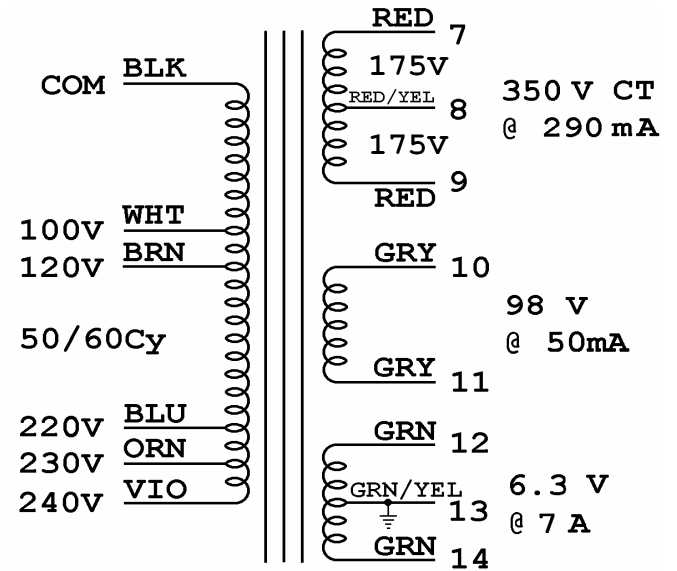
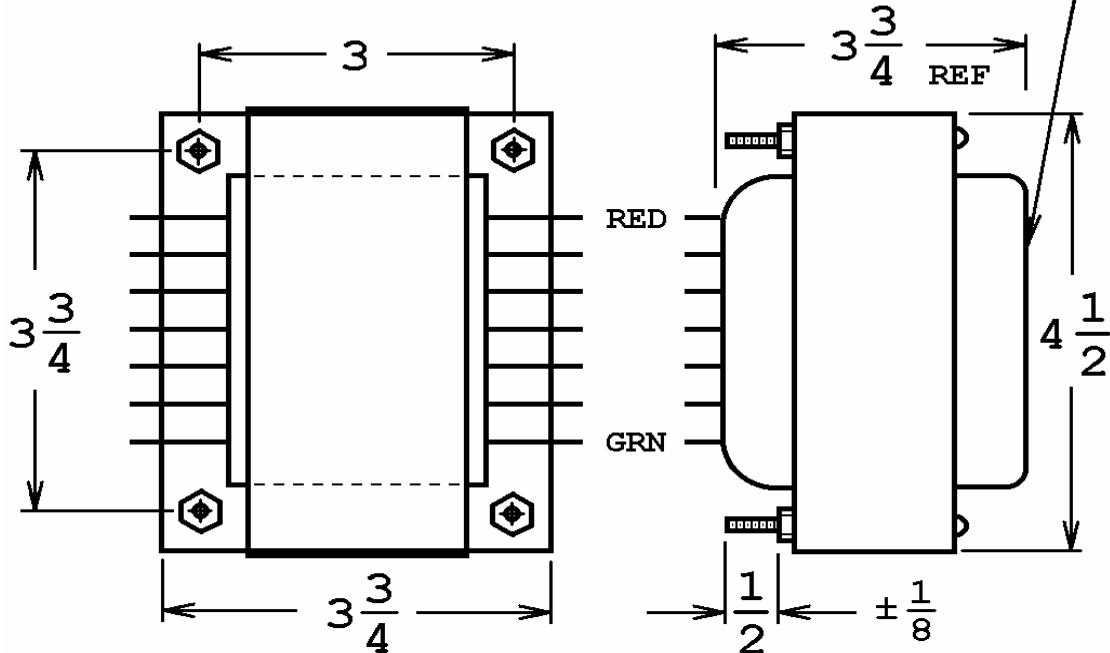


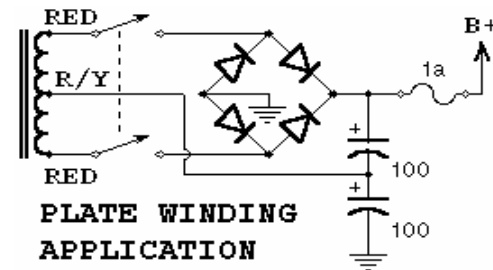
40-18046

This drawing is the property of Magnetic Components, Inc. and shall not be reproduced, in whole or in part, without the written permission of Magnetic Components, Inc.

REVISIONS			
LTR	DESCRIPTION	DATE	APPROVED
A	ADD PLATE WINDING APPLICATION SCHEMATIC	04/04/11	M. Sacketti
B	ADD MOUNTING HARDWARE NOTE, CT VOLTAGES, GRN/Y LEAD GROUNDED	10/27/11	M. Sacketti



NOTE: GRN/YEL LEAD INTERNALLY GROUNDED



USE FOUR # 8-32 HEX NUTS (NOT SUPPLIED) FOR CHASSIS MOUNTING. PLEASE DO NOT REMOVE EXISTING HEX NUTS.

UNLESS OTHERWISE SPECIFIED		SIGNATURES		DATE		MAGNETIC COMPONENTS, INC.		DIV :	
ALL DIMENSIONS IN INCHES DO NOT SCALE DRAWING		DRAWN : <i>M. Sacketti</i>		04 AUG 10		TITLE		LOC : SCHILLER PK	
FRACTIONS +/-		CHECK :				100W MARSHALL POWER			
.X = +/-		APPR : <i>M. Sacketti</i>		04 AUG 10		CAGE	SIZE	PART No.	REV
.XX = +/-						50508	A	40-18046	B
.XXX = +/-						SCALE			
ANGLES = +/-						NONE			SHEET :