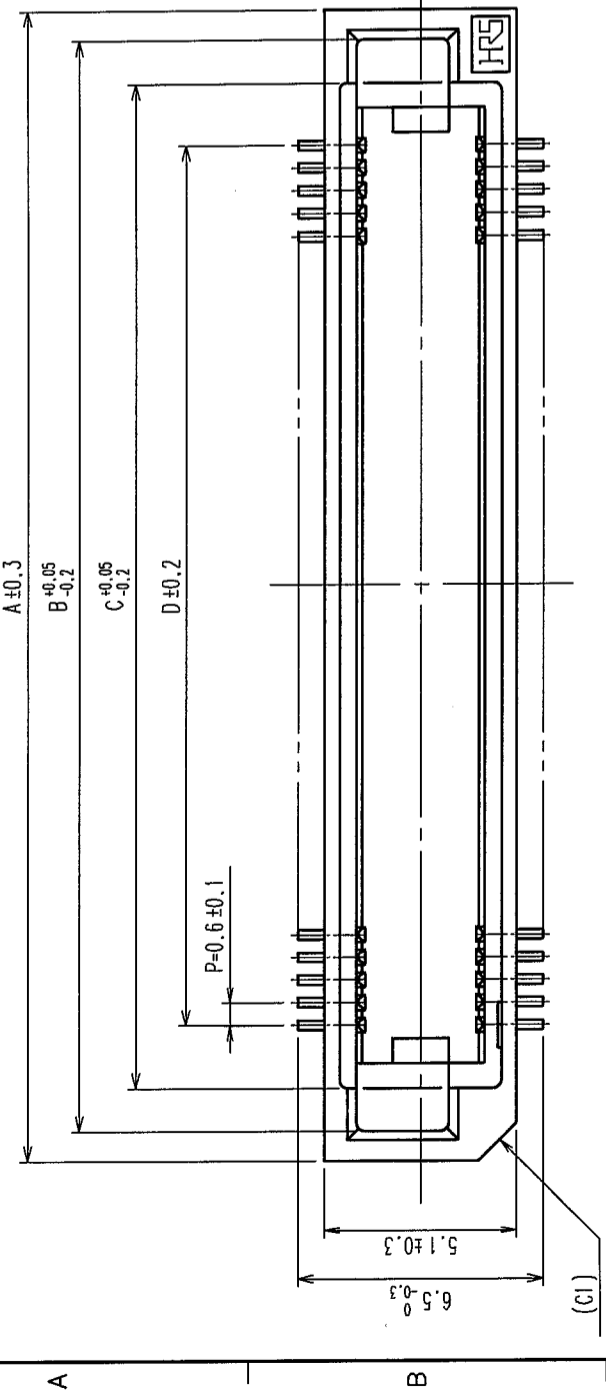
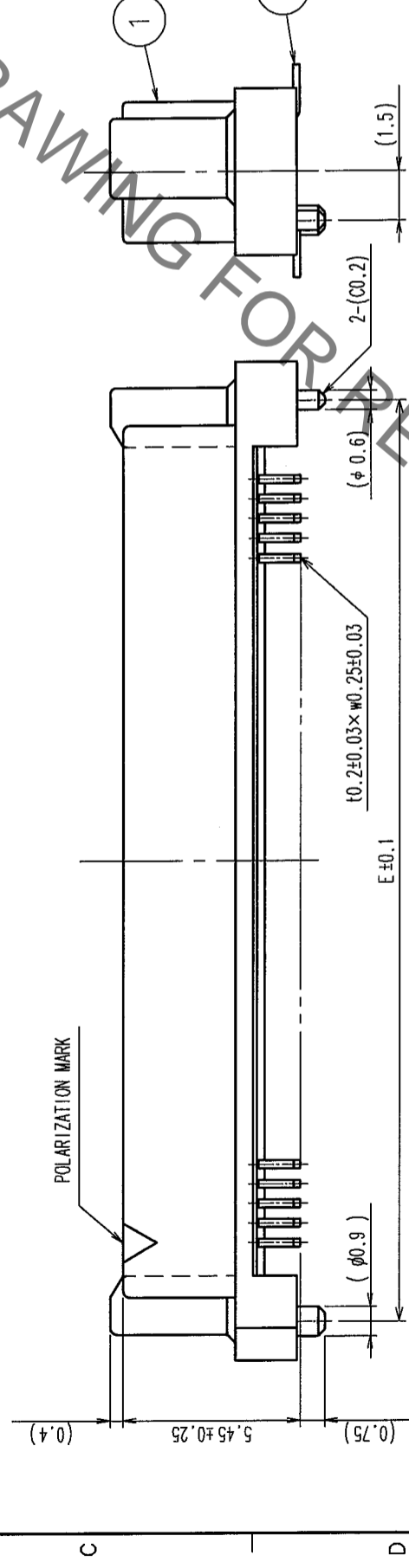
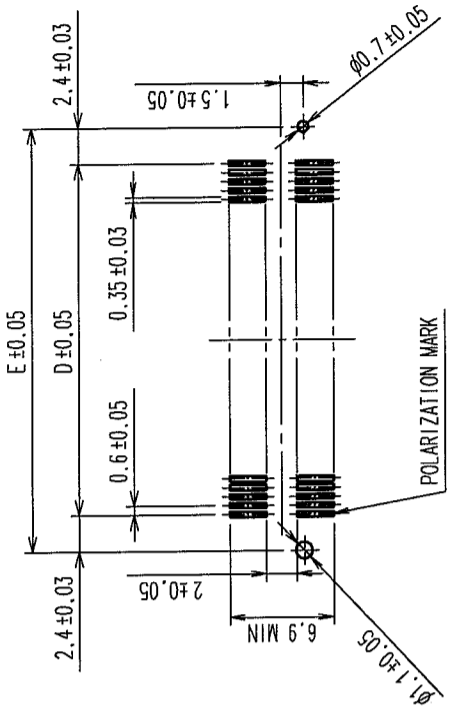


COUNT	DESCRIPTION OF REVISIONS	BY	CHKD	DATE	COUNT	DESCRIPTION OF REVISIONS	BY	CHKD	DATE
3	RE-F-09671	K.N	H.Y	09.09.08					



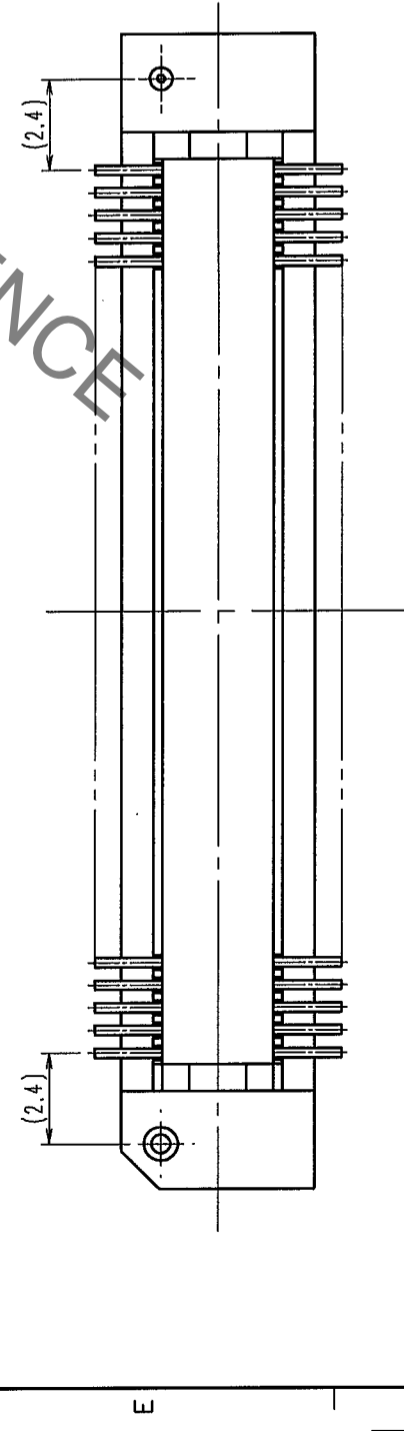
RECOMMENDED LAND PATTERN DIMENSION OF P.C.B. (MOUNTING SIDE)



DIMENSION TABLE OF CONNECTOR AND P.C.B. LAND PATTERN.

PART No.	CODE No.	6	7	A	B	C	D	E
FX8C-60P-SV1(93)	CL578-0521-6-93	60	×	24.60	23.00	20.70	17.40	22.20
FX8C-80P-SV1(93)	CL578-0523-1-93	80	×	30.60	29.00	26.70	23.40	28.20
FX8C-100P-SV1(93)	CL578-0525-7-93	100	-	36.60	35.00	32.70	29.40	34.20
FX8C-120P-SV1(93)	CL578-0526-0-93	120	-	42.60	41.00	38.70	35.40	40.20
FX8C-140P-SV1(93)	CL578-0527-2-93	140	-	48.60	47.00	44.70	41.40	46.20

- NOTE 1. LEAD CO-PLANARITY SHALL BE 0.1mm MAX.  
 2. EMBOSSED CARRIER TAPE PACKAGING SHALL BE APPLIED TO THIS PRODUCT.  
 SEE NEXT PAGE FOR DETAILS.  
 3. THIS PRODUCT HAS TAPE FOR VACUUM PICKUP.  
 SEE NEXT PAGE FOR DETAIL OF STICKING POSITION, ETC.  
 4. FOR MODIFICATION, ETC., PREVENTIVE HOLE FOR SINK MARK MAY BE ADDED ACCORDING TO CIRCUMSTANCES.  
 5. THE DIMENSIONS IN PARENTHESES ARE FOR REFERENCE.
- 6 NUMBER OF CONTACTS  
 7 EXISTENCE  
 X : PRODUCED, - : NO PRODUCED



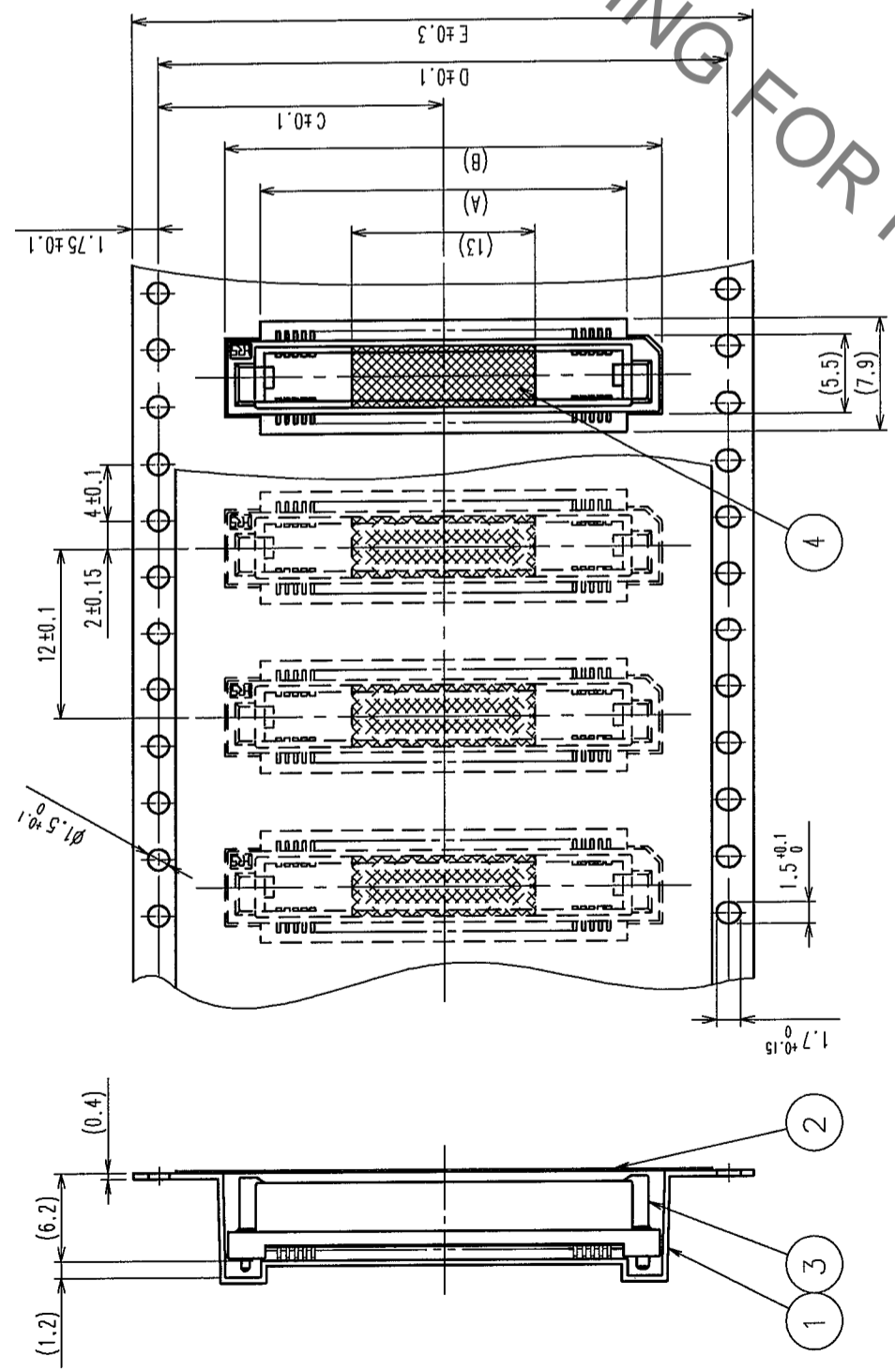
NO.	MATERIAL	FINISH, REMARKS	NO.	MATERIAL	DESIGNED	CHECKED	APPROVED	RELEASED
1	PPS	LIGHT BROWN (UL94V-0)	2	PHOSPHOR BRONZE	K.NAKAMURA	H.OKAWA	Y.YOSHIMURA	
CODE NO. (OLD)		CL	DRAWN		S.SUZUKI			
			FINISH, REMARKS		03.02.03			
			NO.		03.02.12			
			PART NO.		FX8C-**-P-SV1(93)			
DRAWING NO.		EDC3-151087-23						
SCALE		FREE						
UNITS		MM						

TO	
PCK	

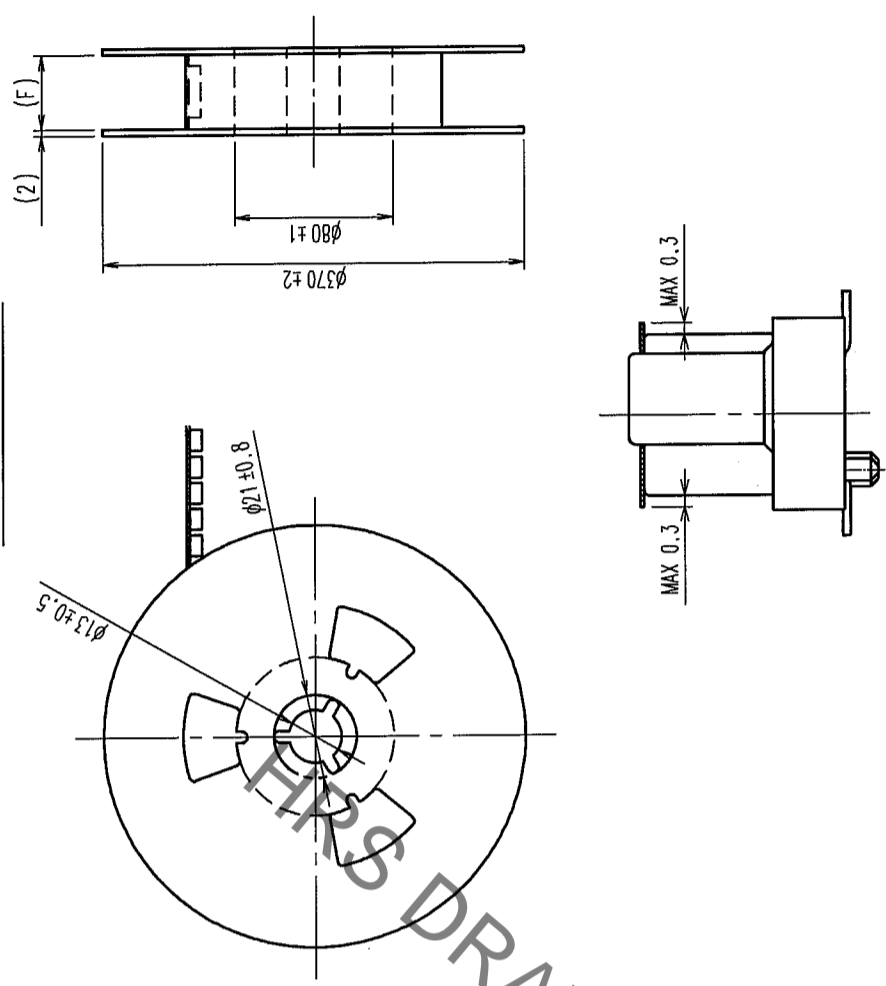
2 In case of consideration for using Automotive equipment / device which demand high reliability, kindly contact our sales window correspondents.

COUNT	DESCRIPTION OF REVISIONS	BY	CHKD	DATE	COUNT	DESCRIPTION OF REVISIONS	BY	CHKD	DATE

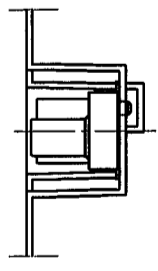
UNREELING DIRECTION  
↑



REEL DIMENSION

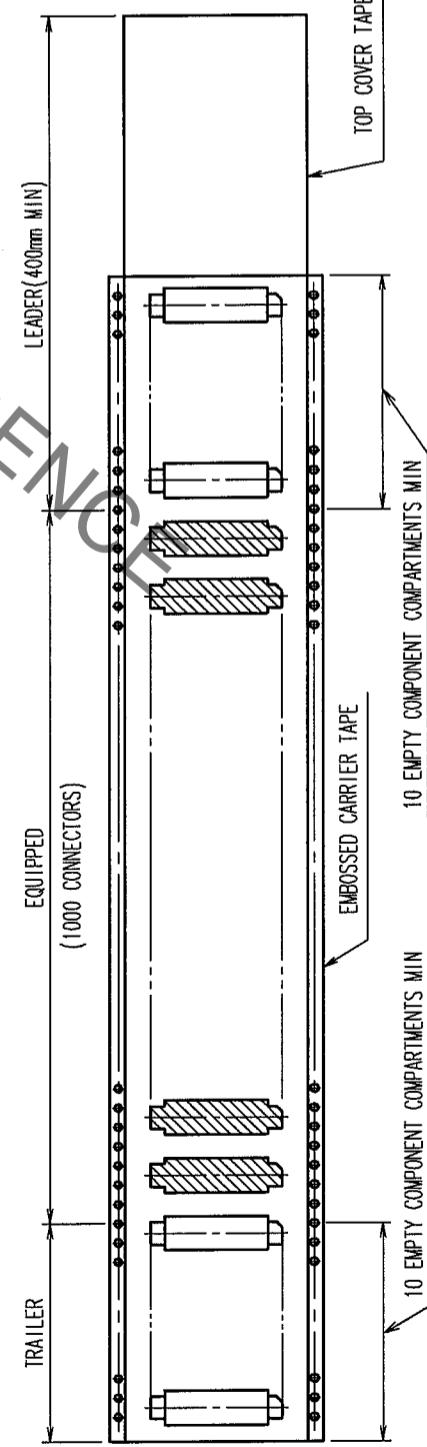


DETAIL OF TAPE FOR VACUUM PICKUP (5:1)



△ DIMENSION TABLE OF EMBOSSED CARRIER TAPE AND REEL.

PART No.	CODE No.	2	3	A	B	C	D	E	F
FX8C-60P-SV1(93)	CL578-0521-6-93	60	X	20	25	20.2	40.4	44	44.4
FX8C-80P-SV1(93)	CL578-0523-1-93	80	X	26	31	20.2	40.4	44	44.4
FX8C-100P-SV1(93)	CL578-0525-7-93	100	-	32	37	26.2	52.4	56	56.4
FX8C-120P-SV1(93)	CL578-0526-0-93	120	-	38	43	26.2	52.4	56	56.4
FX8C-140P-SV1(93)	CL578-0527-2-93	140	-	44	49	34.2	68.4	72	72.4



NOTE 1. 1 REEL : 1000 CONNECTORS  
 2 NUMBER OF CONTACTS  
 3 EXISTENCE  
 X : PRODUCED, - : NO PRODUCED

NO.	MATERIAL	FINISH, REMARKS	NO.	MATERIAL	FINISH, REMARKS
2	POLYESTER	(TOP COVER TAPE)	4	POLYIMIDE	(TAPE FOR VACUUM PICKUP)
1	PS	(EMBOSSED CARRIER TAPE)	3		(CONNECTOR)

CODE NO. (OLD)	CL	DRAWN	DESIGNED	CHECKED	APPROVED	RELEASED
		S. SUZUKI	K. NAKAMURA	H. OKAWA	Y. YOSHIMURA	
		03.02.03	03.02.12	03.02.14	03.02.15	

DRAWING NO.	PART NO.
EDC3-151087-23	FX8C-**-P-SV1(93)

SCALE	UNITS	CODE NO.
FREE	mm	CL578

TO	
PCK	