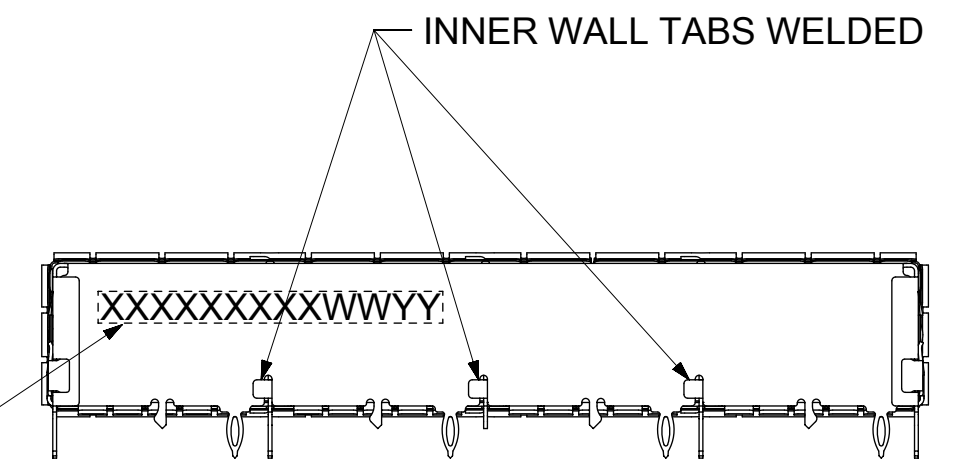
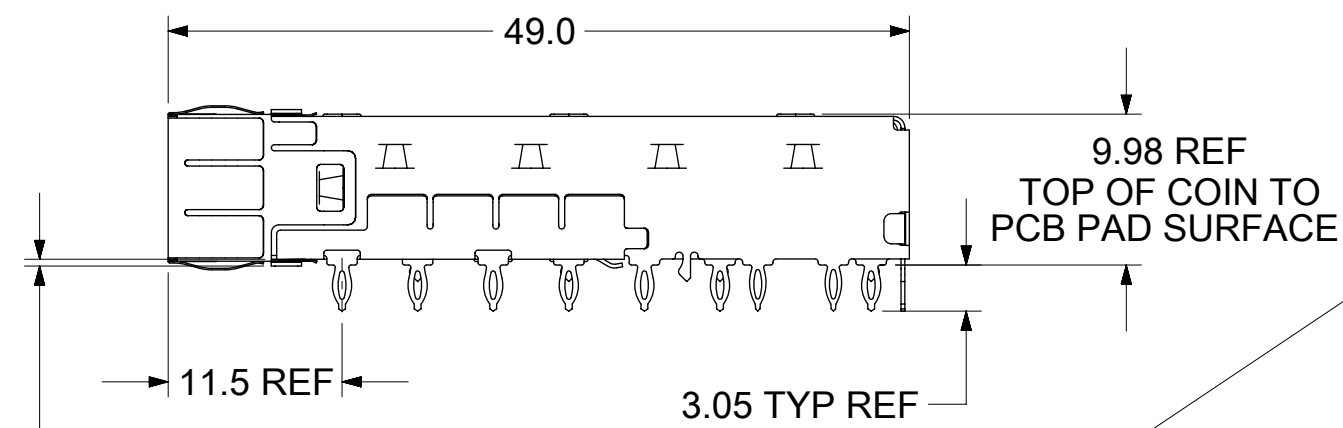
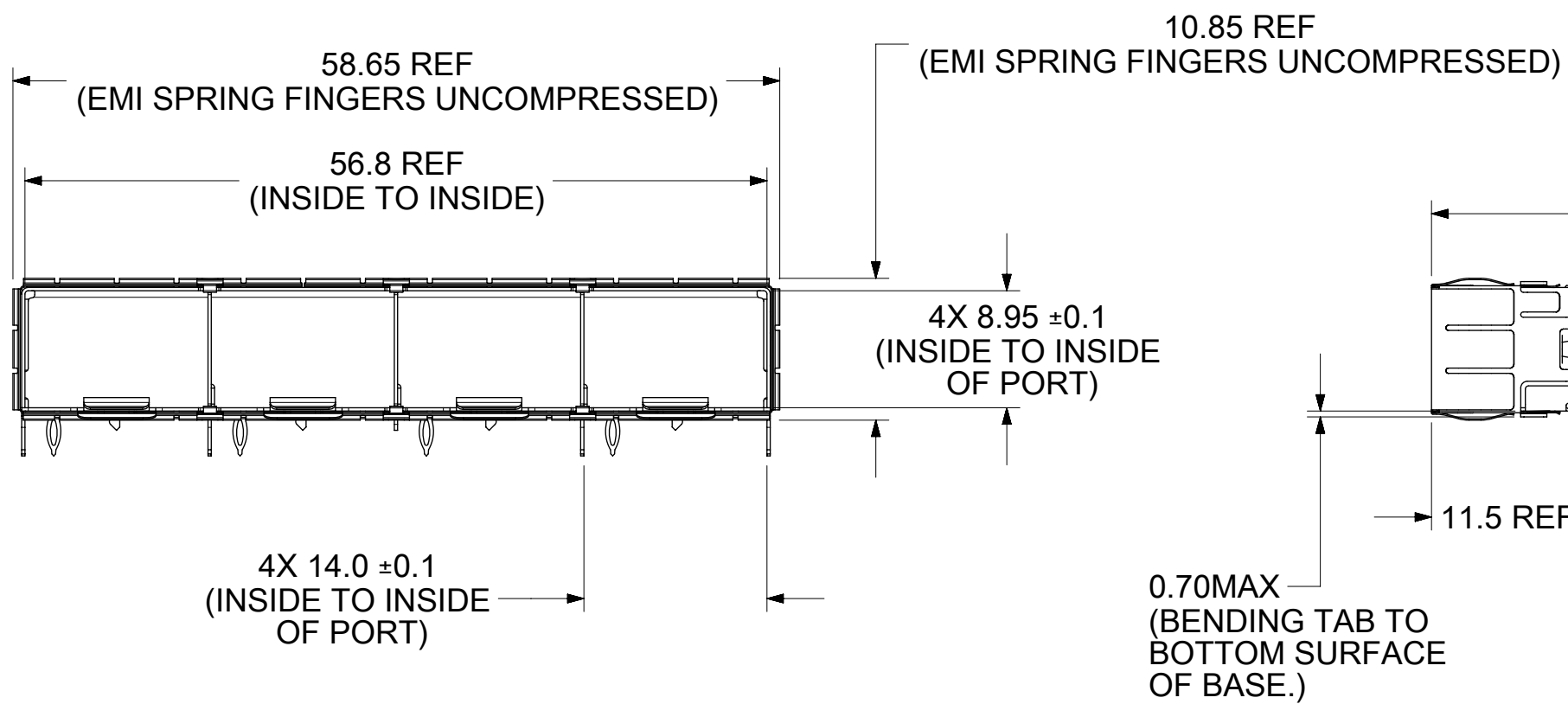
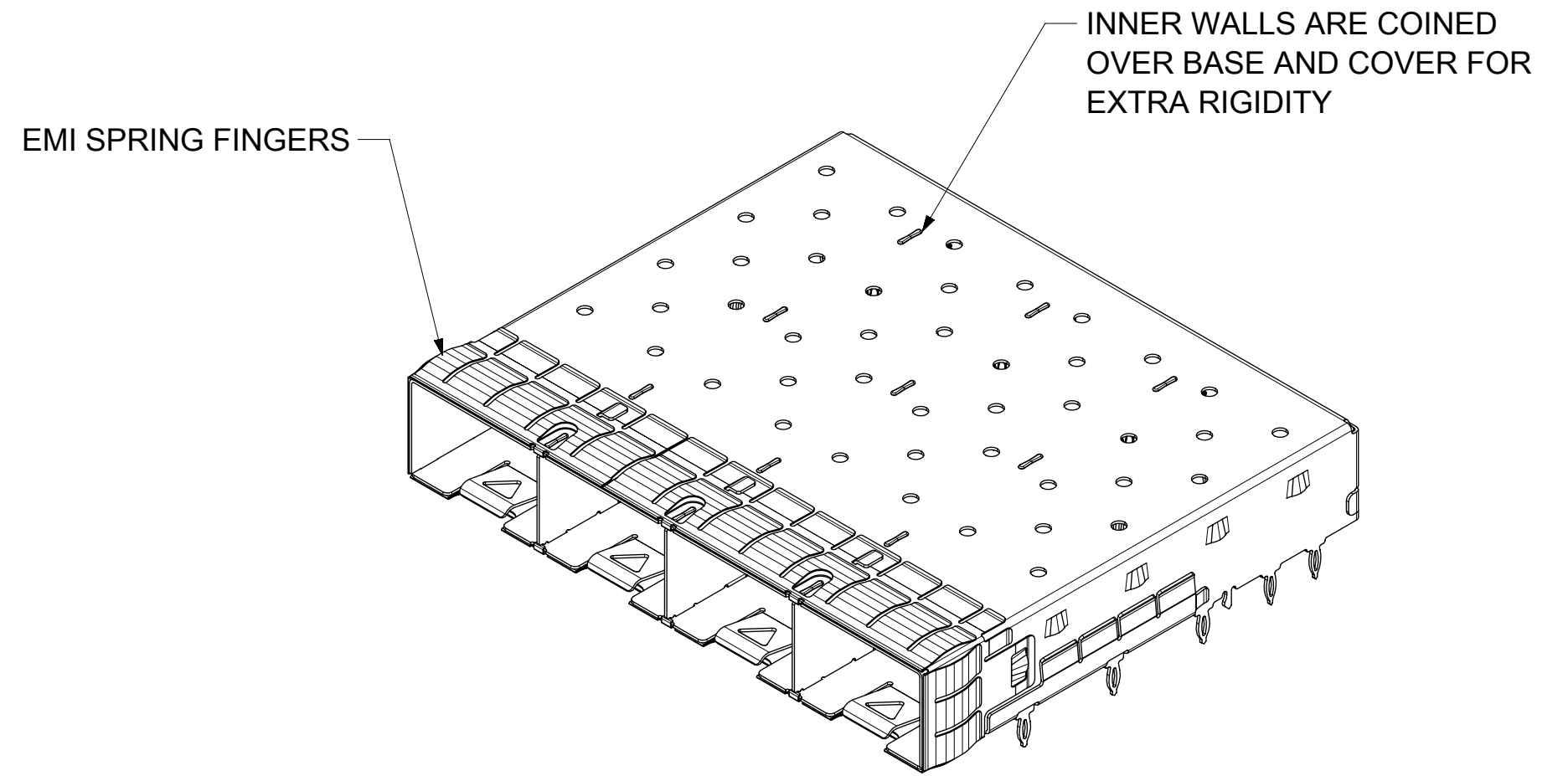
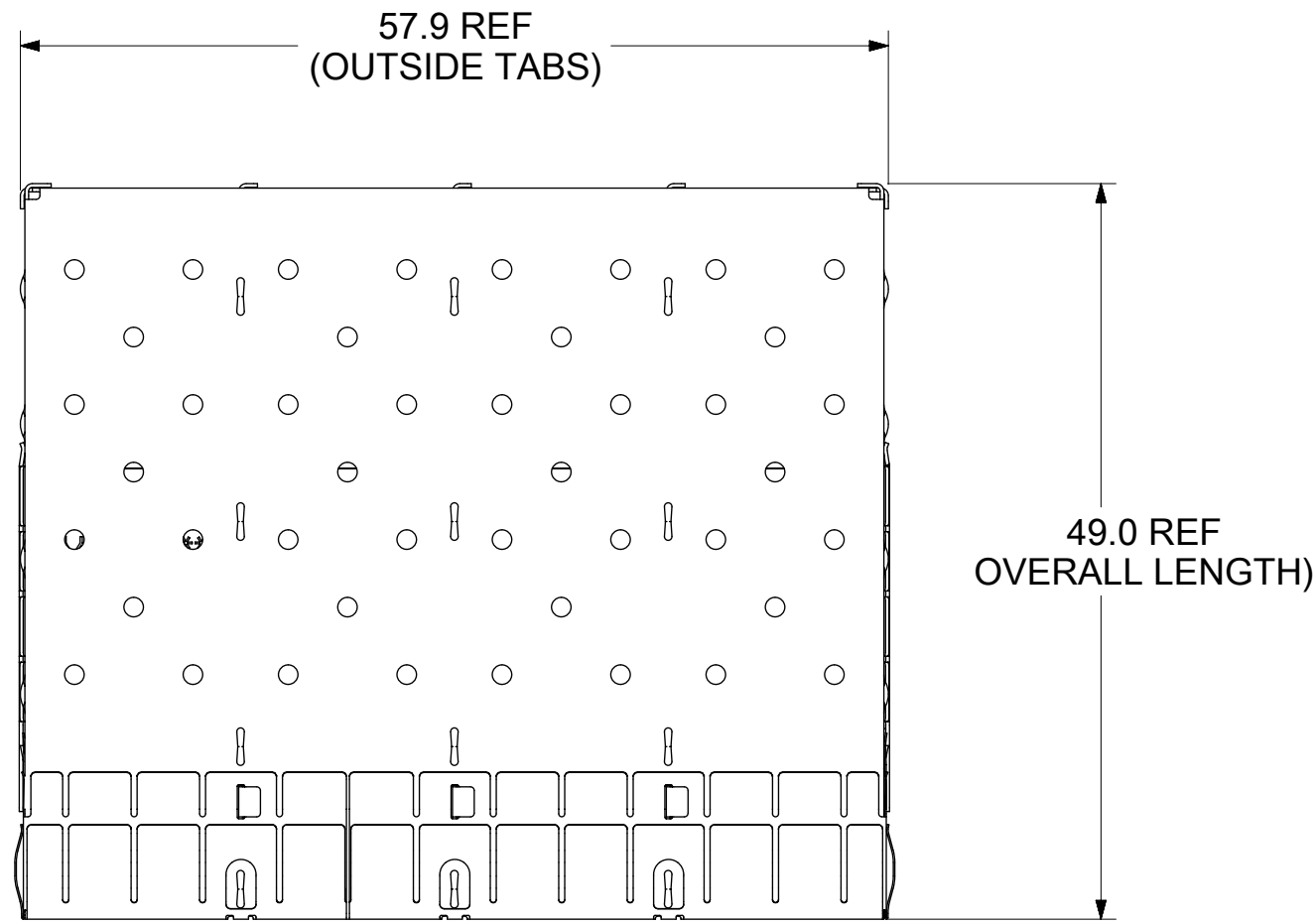


# BASE CAGE DETAILS

(APPLIES TO ALL CAGES IN THIS DRAWING)

747548423

SHOWN



PART NO. AND WEEK/YEAR DATE CODE TO BE PRINTED ON THE BACK OF COMPLETED CAGE ASSEMBLY APPROXIMATELY AS SHOWN ON 74754 SERIES CAGE ASSEMBLIES.

NOTES:

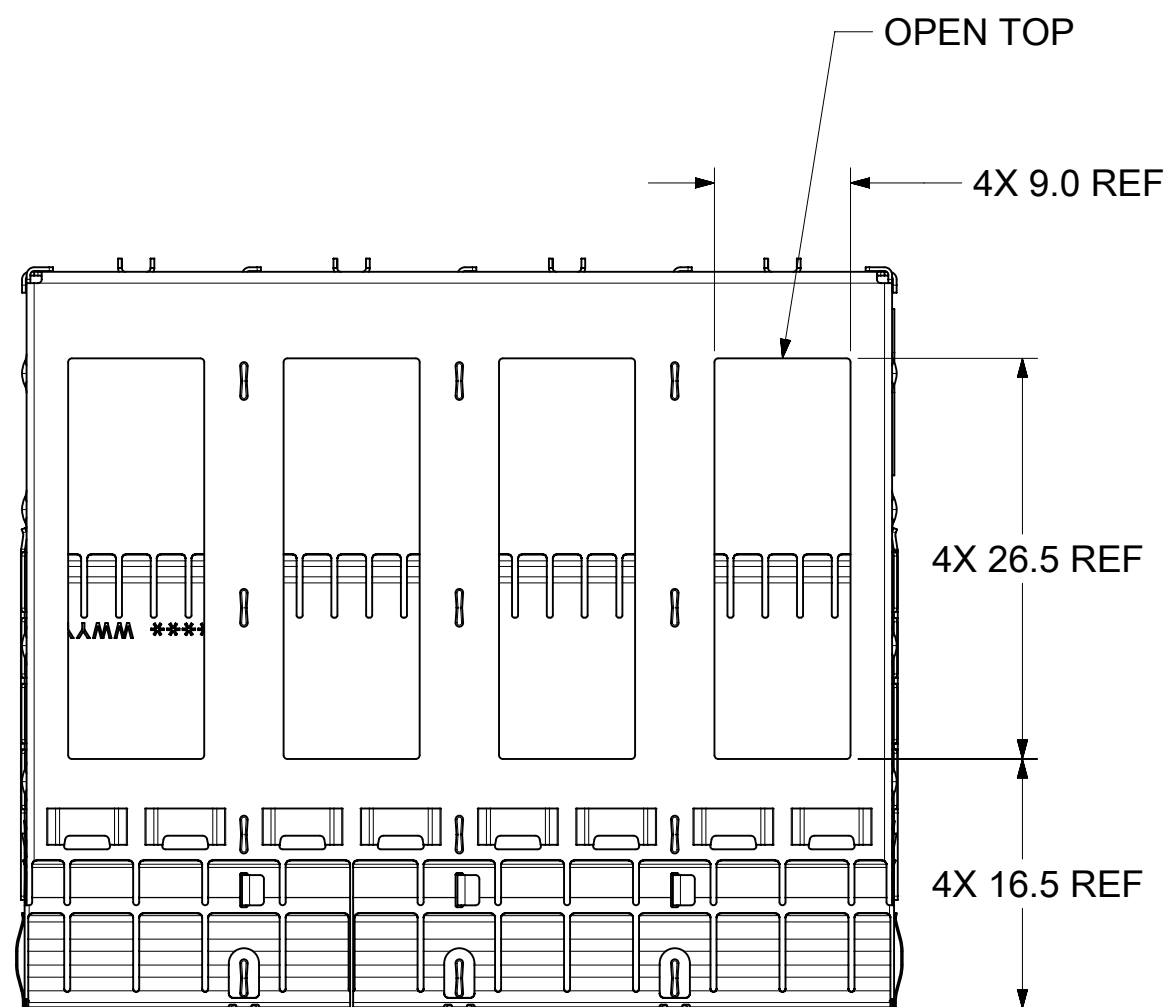
- MATERIAL:  
CAGE: 0.25mm THICK COPPER ALLOY, NICKEL PLATED.  
SPRING FINGERS: STAINLESS STEEL.  
HEATSINK: ALUMINUM, NICKEL PLATED.  
HEATSINK SPRING CLIP: STAINLESS STEEL.
- PRESS FIT LEGS 3.05mm LONG:
- PORTS ARE DESIGNED FOR SFP+ TRANSCEIVERS AND ARE COMPATIBLE WITH SFP TRANSCEIVERS.  
THE TOP SURFACE OF THE MODULE MUST BE FLAT (NO PRODUCT LABEL RECESS)  
AND THERMALLY CONDUCTIVE TO FUNCTION OPTIMALLY.
- WELD SPOT MAY SHOW SLIGHT MATERIAL DISCOLORATION.
- NO RoHS EXEMPTIONS.
- CUSTOM HEATSINKS AVAILABLE UPON REQUEST.

WEEK/YEAR DATE CODE TABLE	
WW	01 THRU 52 OR 53 EXAMPLE: 01 = FIRST WEEK OF YEAR 52 = LAST WEEK OF YEAR
YY	22, 23, 24,, ETC. EXAMPLE: YEAR 2022 = 22

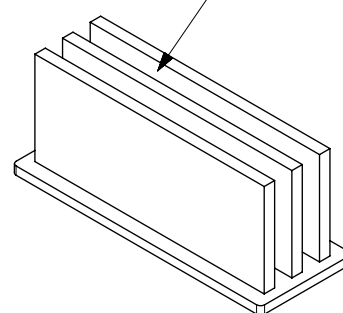
THIS DRAWING CONTAINS INFORMATION THAT IS PROPRIETARY TO MOLEX ELECTRONIC TECHNOLOGIES, LLC AND SHOULD NOT BE USED WITHOUT WRITTEN PERMISSION									
FUNCTIONAL SYMBOLS	DIMENSION UNITS	SCALE	CURRENT REV DESC: SEE REVISION TABLE						
$\nabla_A = 0$	mm	2:1	EC NO: 707270 DRWN: ABHILT2 CHK'D: TKUMARKC APPR: SCHIEN INITIAL REVISION: DRWN: ABHILT2 APPR: SCHIEN						
$\nabla_C = 0$	GENERAL TOLERANCES (UNLESS SPECIFIED)								
$\nabla_P = 0$	ANGULAR TOL ± 1.0°								
DIVISIONAL SYMBOLS	4 PLACES ±	3 PLACES ±							
	2 PLACES ± 0.15	1 PLACE ± 0.25	2022/04/14	PRODUCT CUSTOMER DRAWING					
	0 PLACES ±		2022/05/26	DOCUMENT NUMBER		DOC TYPE	DOC PART	REVISION	
	DRAFT WHERE APPLICABLE MUST REMAIN WITHIN DIMENSIONS		2022/06/01	111128421		PSD	ASY	A	
	THIRD ANGLE PROJECTION		DRAWING	SERIES	MATERIAL NUMBER	CUSTOMER	SHEET NUMBER		
	C-SIZE		111112	SEE SHEET 3			1 OF 7		

DOCUMENT STATUS	P1	RELEASE DATE	2022/06/01	06:40:57
-----------------	----	--------------	------------	----------

# CAGE ASSEMBLY OPTIONS

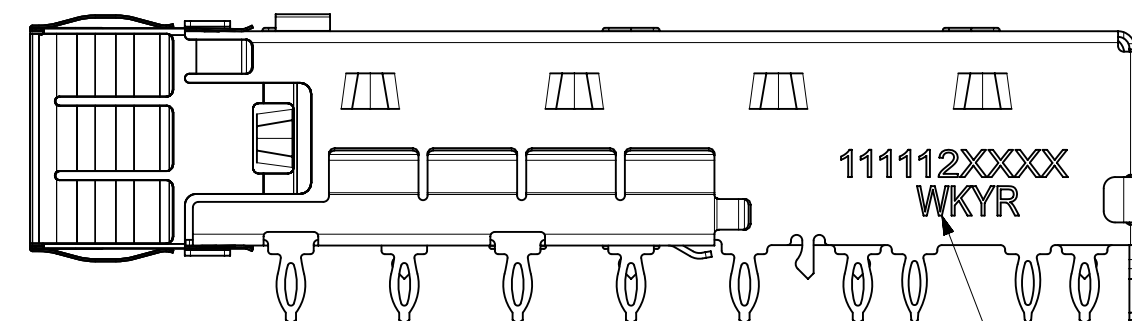


HEATSINK OPTIONS  
CUSTOM FIN

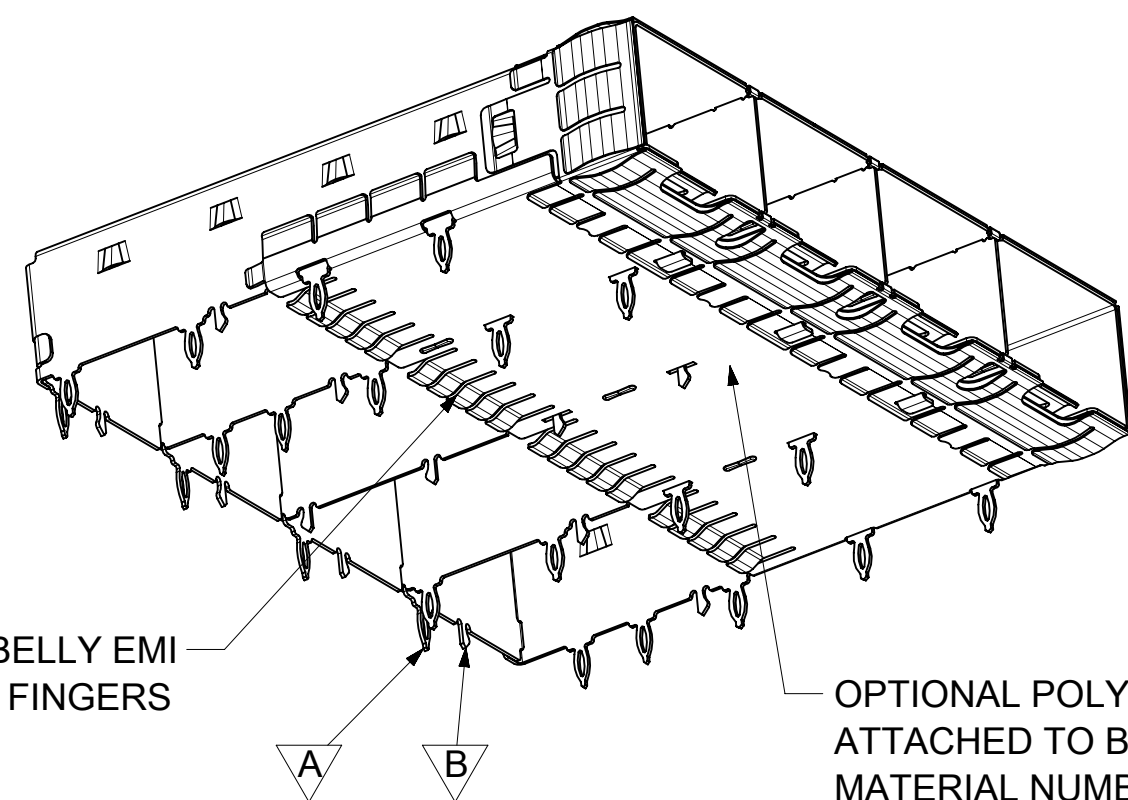
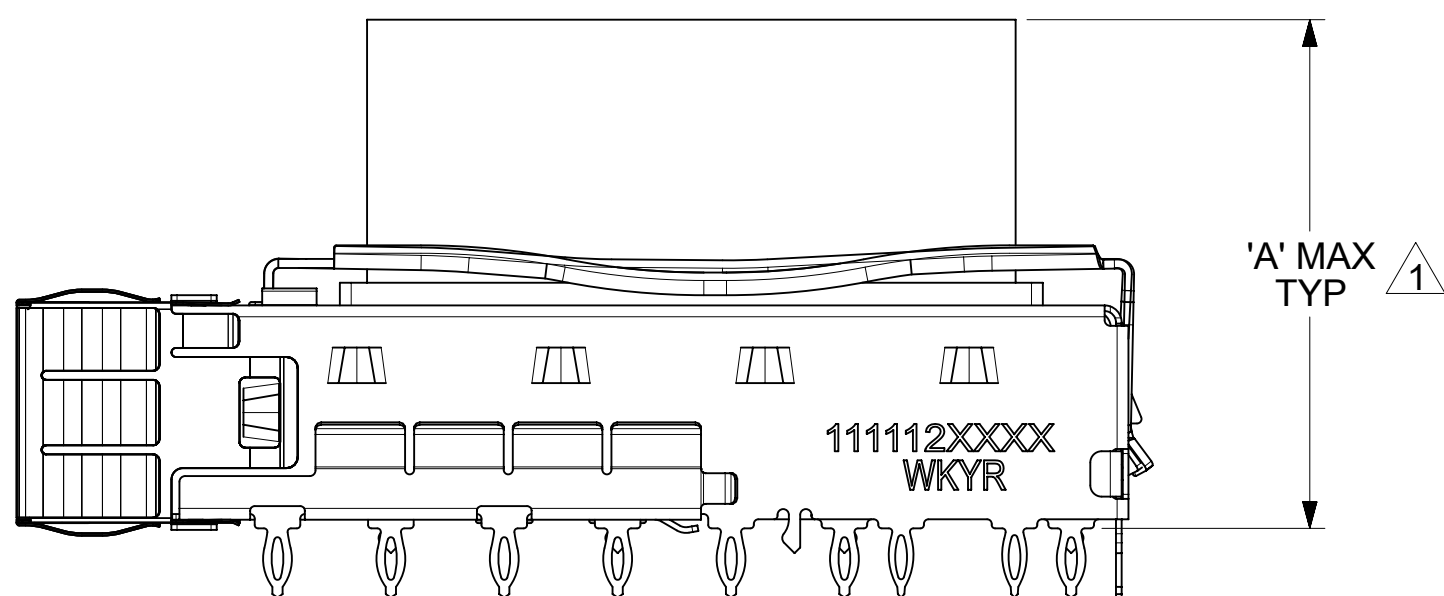


OVERALL HEATSINK HEIGHT

APPLICATION	DIM 'A'
CUSTOM	23.6



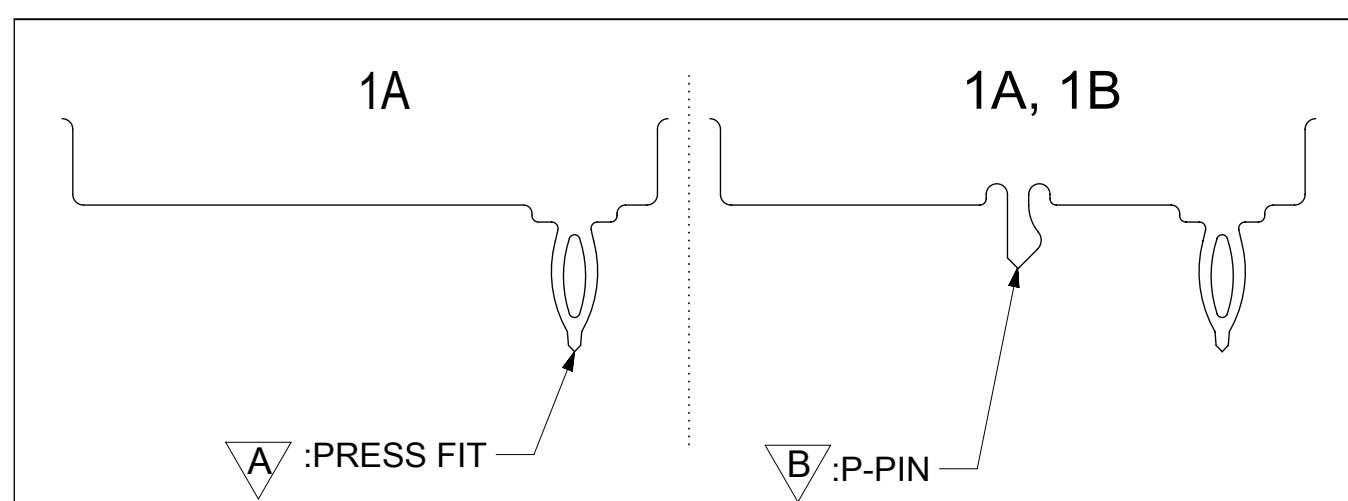
PART NO. AND WEEK/YEAR DATE CODE TO BE PRINTED ON THE SIDE OF COMPLETED CAGE ASSEMBLY APPROXIMATELY AS SHOWN FOR 11112 SERIES CAGE ASSEMBLIES.



NOTES:

- 1 HEIGHT OF HEATSINK WITH MODULE INSERTED. DIMENSION MAY BE LESS DUE TO MODULE AND HEATSINK VARIATIONS.

## REAR LEG OPTIONS (PER PORT)

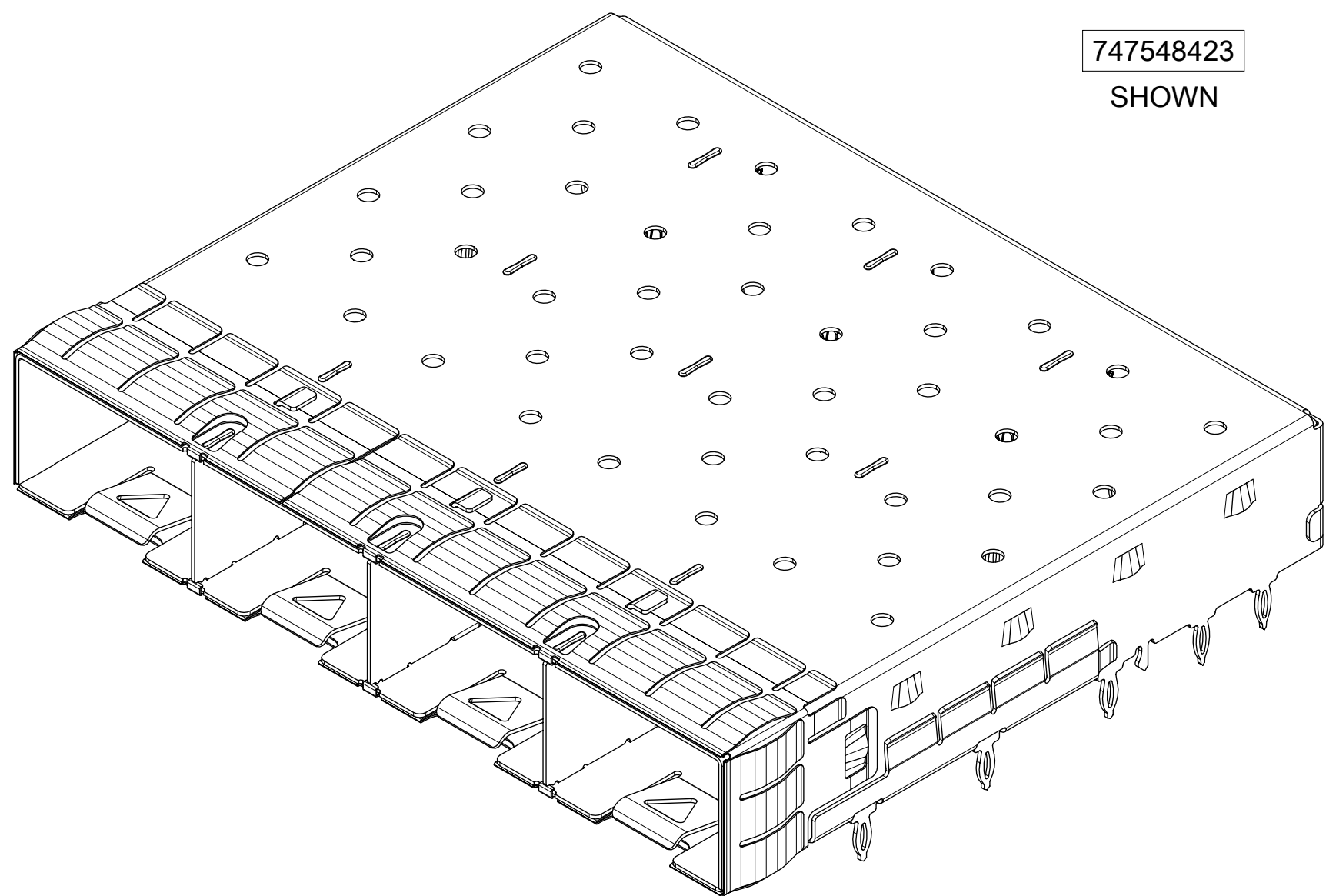


WEEK/YEAR DATE CODE TABLE	
WW	01 THRU 52 OR 53 EXAMPLE: 01 = FIRST WEEK OF YEAR 52 = LAST WEEK OF YEAR
YY	22, 23, 24, ETC. EXAMPLE: YEAR 2022 = 22

FUNCTIONAL SYMBOLS	THIS DRAWING CONTAINS INFORMATION THAT IS PROPRIETARY TO MOLEX ELECTRONIC TECHNOLOGIES, LLC AND SHOULD NOT BE USED WITHOUT WRITTEN PERMISSION		CURRENT REV DESC: SEE REVISION TABLE			
$\overline{A} = 0$	DIMENSION UNITS	SCALE	<p><b>molex</b></p> <p>SFP+ 1X4 SF CAGE ASSY'S PRESS FIT, HEAT SINKS, WITH SUS EMI SPRING FINGERS</p> <p>PRODUCT CUSTOMER DRAWING</p>			
$\overline{E} = 0$	mm	2:1				
$\overline{P} = 0$	GENERAL TOLERANCES (UNLESS SPECIFIED)					
DIVISIONAL SYMBOLS	ANGULAR TOL	$\pm 1.0^\circ$	EC NO: 707270	2022/04/14		
4 PLACES	$\pm$		DRWN: ABHILT2	2022/05/26		
3 PLACES	$\pm$		CHK'D: TKUMARKC	2022/06/01		
2 PLACES	$\pm 0.15$		APPR: SCHIEN			
1 PLACE	$\pm 0.25$		INITIAL REVISION:			
0 PLACES	$\pm$		DRWN: ABHILT2	2022/04/14		
			APPR: SCHIEN	2022/06/01		
DRAFT WHERE APPLICABLE MUST REMAIN WITHIN DIMENSIONS	THIRD ANGLE PROJECTION	DRAWING	SERIES	MATERIAL NUMBER	CUSTOMER	SHEET NUMBER
		C-SIZE	111112	SEE SHEET 3		2 OF 7

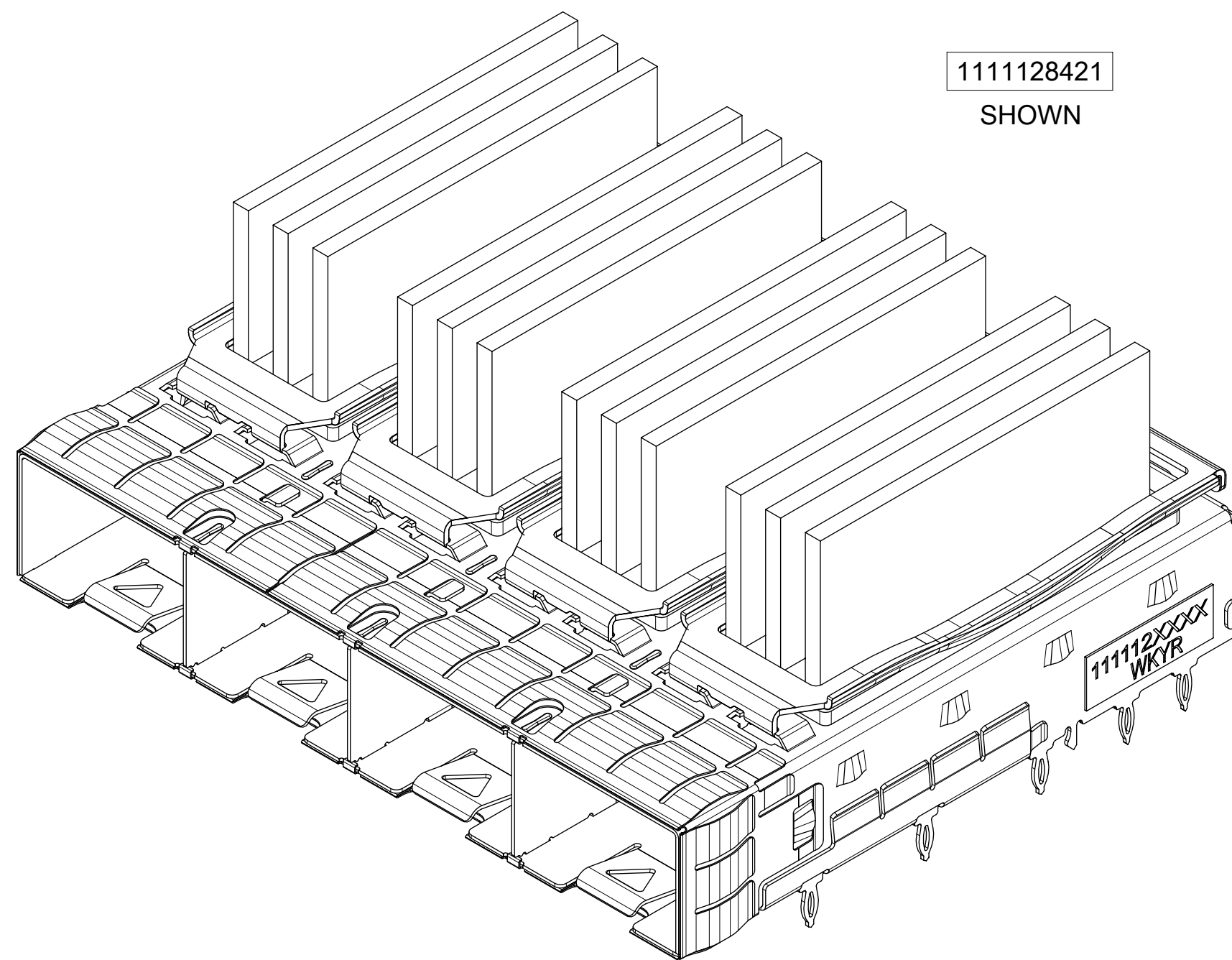
# PART NUMBER SELECTION

747548423  
SHOWN


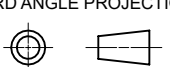


SFP+ OPEN TOP BASE CAGE FOR HEATSINK				
PART NO.	POLYIMIDE INSULATOR	WELD POINT QUANTITY	# OF REAR LEGS PER PORT	PLATING
747548423	---	19	1A, 1B	----

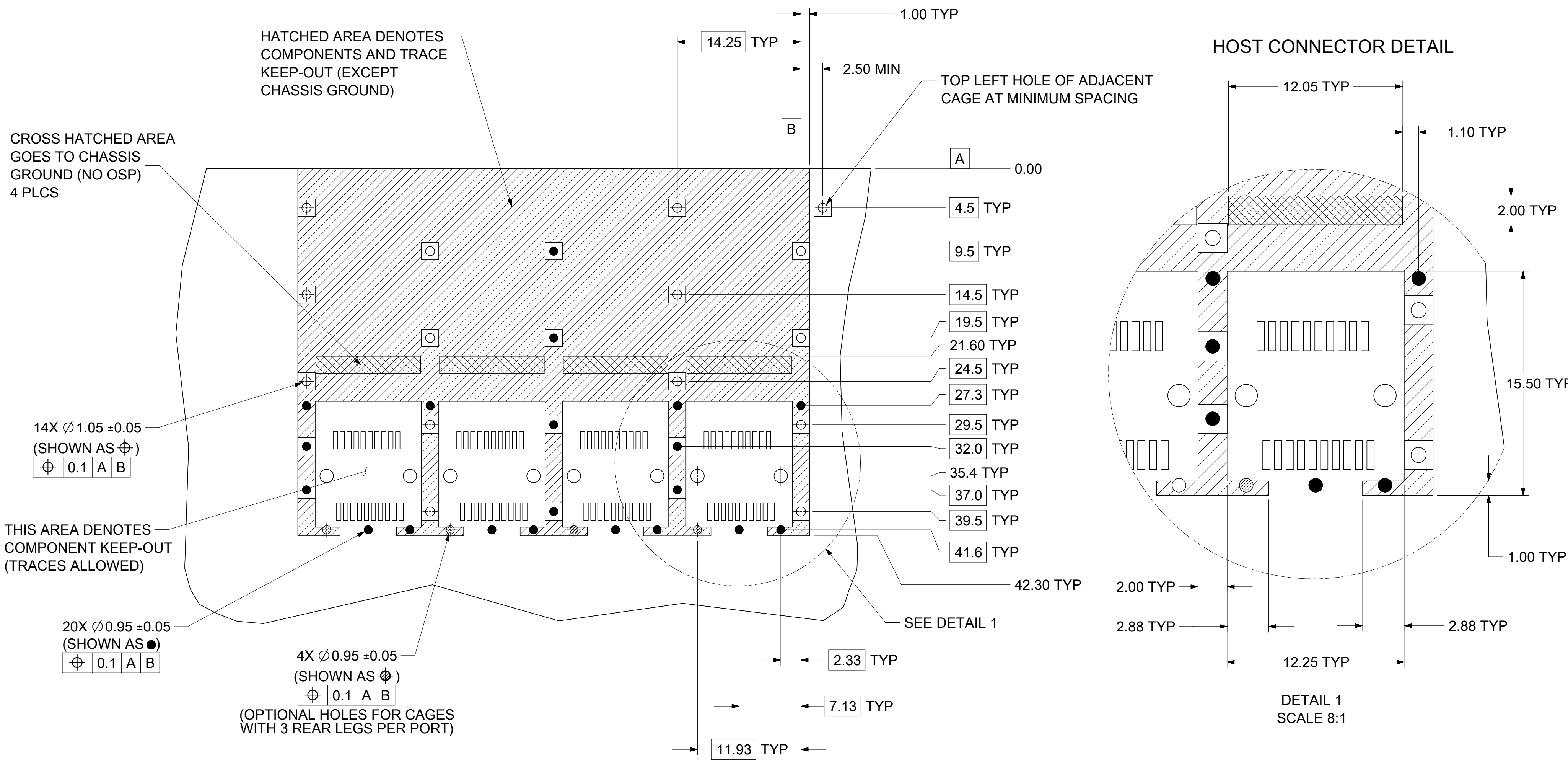
111128421  
SHOWN



SFP+ CUSTOM FIN HEATSINK OPTION			
PART NO.	POLYIMIDE INSULATOR	HEAT SINK	# OF REAR LEGS PER PORT
111128421	---	CUSTOM	1A, 1B

<b>FUNCTIONAL SYMBOLS</b> $\nabla_A = 0$ $\nabla_C = 0$ $\nabla_P = 0$ <b>DIVISIONAL SYMBOLS</b> 4 PLACES $\pm$ 3 PLACES $\pm$ 2 PLACES $\pm 0.15$ 1 PLACE $\pm 0.25$ 0 PLACES $\pm$ DRAFT WHERE APPLICABLE MUST REMAIN WITHIN DIMENSIONS	THIS DRAWING CONTAINS INFORMATION THAT IS PROPRIETARY TO MOLEX ELECTRONIC TECHNOLOGIES, LLC AND SHOULD NOT BE USED WITHOUT WRITTEN PERMISSION DIMENSION UNITS: <b>mm</b> SCALE: <b>4:3</b>		CURRENT REV DESC: SEE REVISION TABLE		 SFP+ 1X4 SF CAGE ASSY'S PRESS FIT, HEAT SINKS, WITH SUS EMI SPRING FINGERS			
	GENERAL TOLERANCES (UNLESS SPECIFIED) ANGULAR TOL $\pm 1.0^\circ$		EC NO: 707270 DRWN: ABHILT2    2022/04/14 CHK'D: TKUMARKC    2022/05/26 APPR: SCHIEN    2022/06/01					
	INITIAL REVISION: DRWN: ABHILT2    2022/04/14 APPR: SCHIEN    2022/06/01		DOCUMENT NUMBER <b>111128421</b>		DOC TYPE	DOC PART	REVISION <b>A</b>	
	DRAFT WHERE APPLICABLE MUST REMAIN WITHIN DIMENSIONS		THIRD ANGLE PROJECTION 	DRAWING	SERIES	MATERIAL NUMBER	CUSTOMER	SHEET NUMBER
<b>DOCUMENT STATUS</b> P1 <b>RELEASE DATE</b> 2022/06/01    06:40:57		<b>C-SIZE</b> 111112		SEE SHEET 3		3 OF 7		

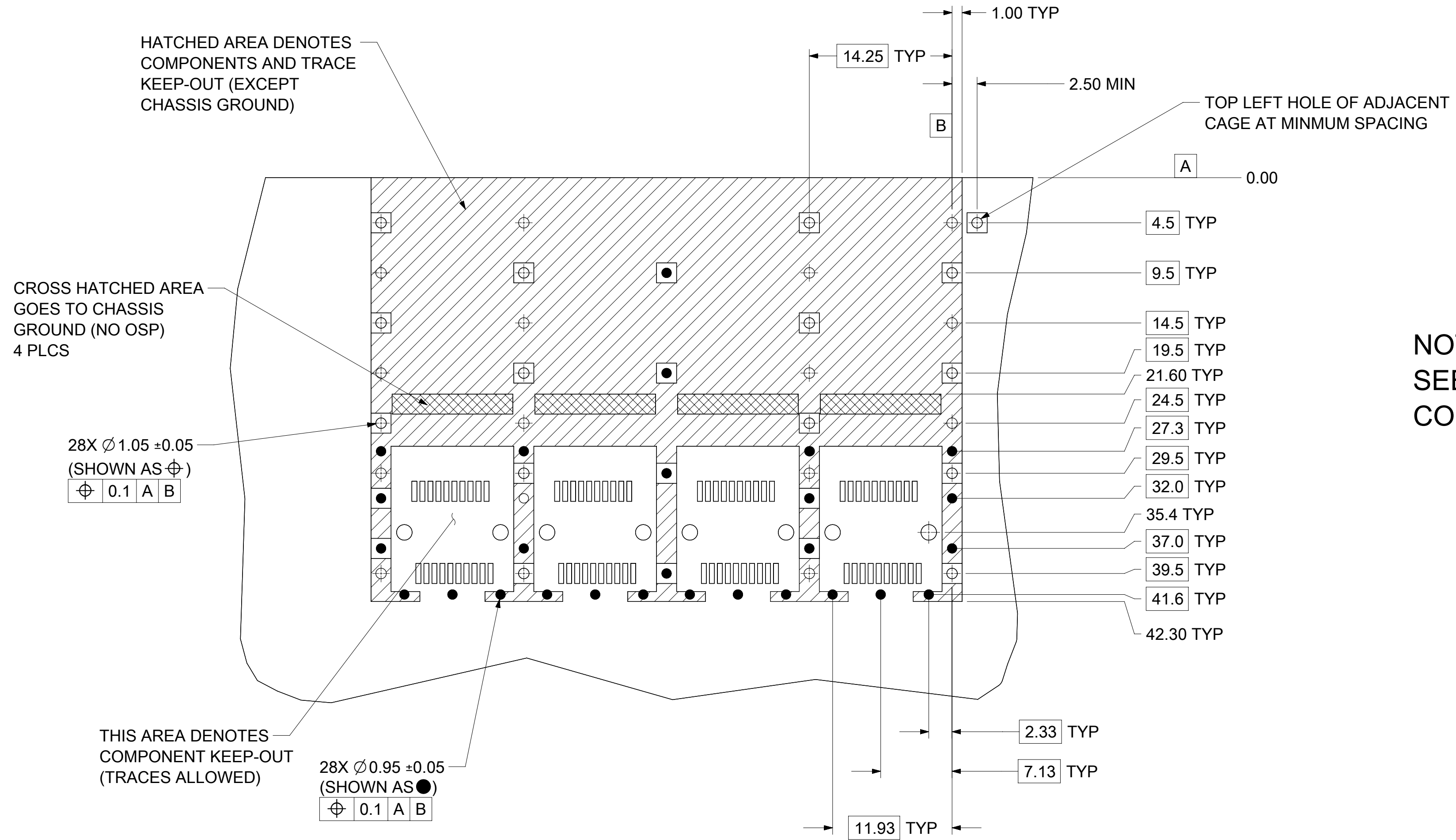
# PCB LAYOUT FOR SINGLE SIDE MOUNT



- NOTES:
- PADS AND VIAS CONNECT TO CHASSIS GROUND (RECOMMENDED PADS TO BE 2.00mm SQUARE)
  - RECOMMENDED THRU HOLE PLATING INCLUDES HASL, OSP, OR IMMERSION (GOLD, SILVER, OR TIN)
  - CONNECTOR PAD LAYOUT PER SFP+ MSA WILL ACCOMMODATE MOLEX CONNECTOR SERIES 74441 OR EQUIVALENT
  - HOLE PATTERN REPEATS FOR EACH PORT, SPACING BETWEEN PORTS IS 14.25mm
  - MINIMUM PCB THICKNESS FOR SINGLE SIDED USE 1.57mm.

FUNCTIONAL SYMBOLS		THIS DRAWING CONTAINS INFORMATION THAT IS PROPRIETARY TO MOLEX ELECTRONIC TECHNOLOGIES, LLC AND SHOULD NOT BE USED WITHOUT WRITTEN PERMISSION		CURRENT REV DESC: SEE REVISION TABLE			
$\overline{A} = 0$	mm	SCALE	3:1	EC NO: 707270			
$\overline{C} = 0$	GENERAL TOLERANCES (UNLESS SPECIFIED)		4 PLACES $\pm$		DRWN: ABHILT2	2022/04/14	PRODUCT CUSTOMER DRAWING
$\overline{P} = 0$	ANGULAR TOL $\pm 1.0^\circ$		3 PLACES $\pm$		CHK'D: TKUMARKC	2022/05/26	
DIVISIONAL SYMBOLS		2 PLACES $\pm 0.15$		APPR: SCHIEN		2022/06/01	DOCUMENT NUMBER
1 PLACE $\pm 0.25$		0 PLACES $\pm$		INITIAL REVISION:		2022/04/14	1111128421
DRAFT WHERE APPLICABLE MUST REMAIN WITHIN DIMENSIONS		THIRD ANGLE PROJECTION		DRWN: ABHILT2		2022/06/01	PSD ASY A
		DRAWING		APPR: SCHIEN		2022/06/01	SHEET NUMBER
		C-SIZE		SERIES		111112	4 OF 7
				MATERIAL NUMBER		SEE SHEET 3	
				CUSTOMER			

# PCB LAYOUT FOR BELLY TO BELLY MOUNTING



**NOTE:**  
SEE SHEET 4 FOR HOST CONNECTOR DETAIL

HATCHED AREA DENOTES COMPONENTS AND TRACE KEEP-OUT (EXCEPT CHASSIS GROUND)

CROSS HATCHED AREA GOES TO CHASSIS GROUND (NO OSP) 4 PLCS

28X  $\varnothing 1.05 \pm 0.05$  (SHOWN AS  $\oplus$ )  
 $\oplus$  0.1 A B

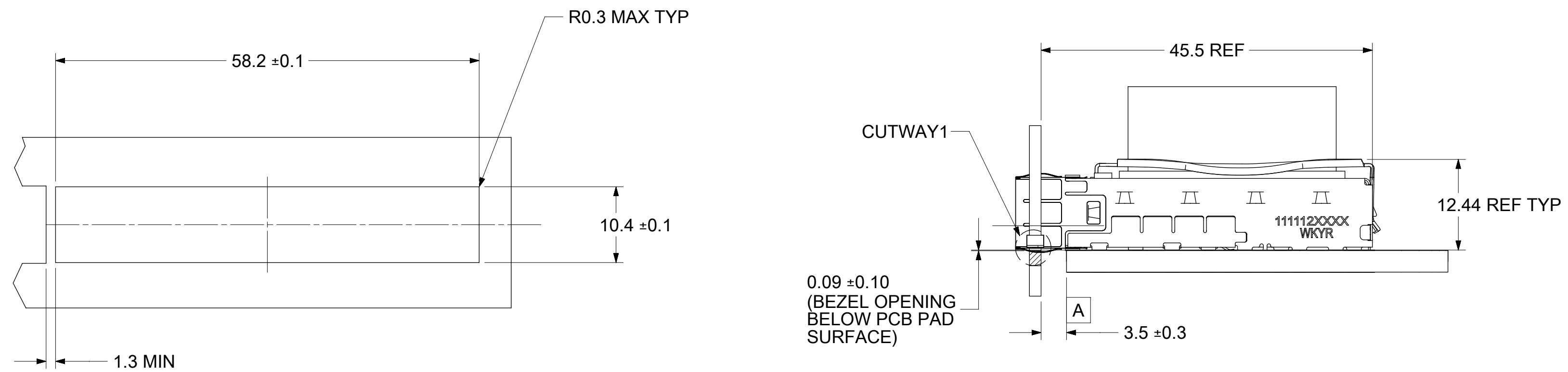
THIS AREA DENOTES COMPONENT KEEP-OUT (TRACES ALLOWED)

28X  $\varnothing 0.95 \pm 0.05$  (SHOWN AS  $\bullet$ )  
 $\oplus$  0.1 A B

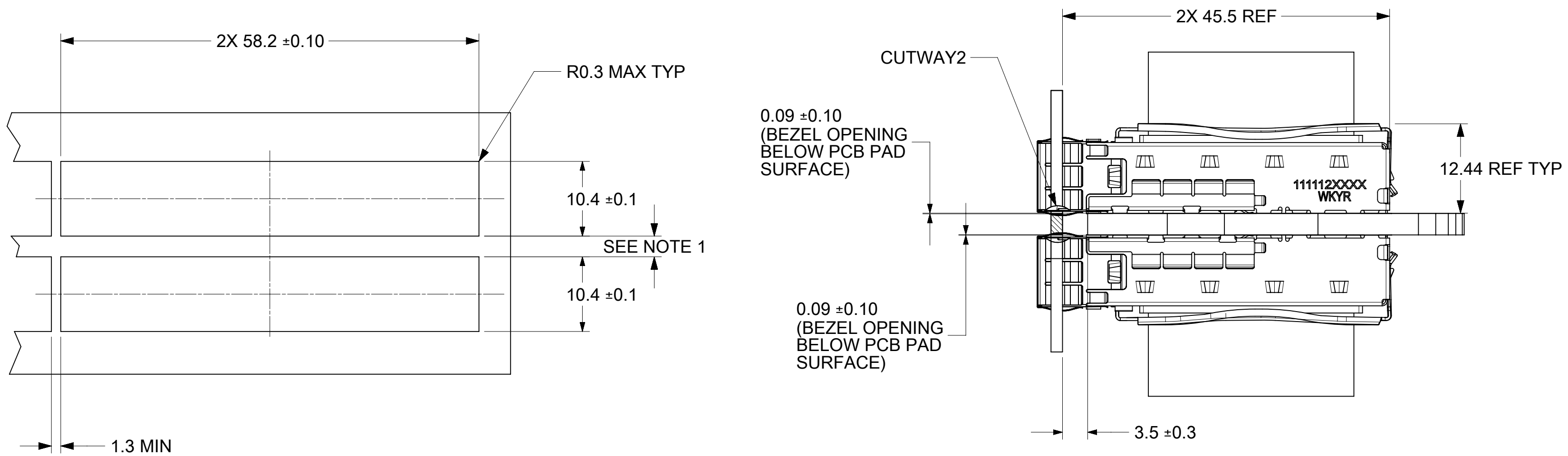
- NOTES:**
1. PADS AND VIAS CONNECT TO CHASSIS GROUND (RECOMMENDED PADS TO BE 2.00mm SQUARE)
  2. RECOMMENDED THRU HOLE PLATING INCLUDES HASL, OSP, OR IMMERSION (GOLD, SILVER, OR TIN)
  3. CONNECTOR PAD LAYOUT PER SFP+ MSA WILL ACCOMMODATE MOLEX CONNECTOR SERIES 74441 OR EQUIVALENT
  4. HOLE PATTERN REPEATS FOR EACH PORT, SPACING BETWEEN PORTS IS 14.25mm
  5. MINIMUM PCB THICKNESS FOR BELLY TO BELLY USE 3.00mm.

FUNCTIONAL SYMBOLS	THIS DRAWING CONTAINS INFORMATION THAT IS PROPRIETARY TO MOLEX ELECTRONIC TECHNOLOGIES, LLC AND SHOULD NOT BE USED WITHOUT WRITTEN PERMISSION		CURRENT REV DESC: SEE REVISION TABLE		
	DIMENSION UNITS	SCALE			
$\frac{F}{A} = 0$	mm	3:1			SFP+ 1X4 SF CAGE ASSY'S PRESS FIT, HEAT SINKS, WITH SUS EMI SPRING FINGERS
$\frac{F}{C} = 0$	GENERAL TOLERANCES (UNLESS SPECIFIED)				
$\frac{F}{P} = 0$	ANGULAR TOL $\pm 1.0^\circ$				PRODUCT CUSTOMER DRAWING
DIVISIONAL SYMBOLS	4 PLACES	$\pm$	EC NO: 707270	2022/04/14	
	3 PLACES	$\pm$	DRWN: ABHILT2	2022/05/26	
	2 PLACES	$\pm 0.15$	CHK'D: TKUMARKC	2022/06/01	
	1 PLACE	$\pm 0.25$	APPR: SCHIEN		
	0 PLACES	$\pm$	INITIAL REVISION:		
	DRAFT WHERE APPLICABLE MUST REMAIN WITHIN DIMENSIONS		DRWN: ABHILT2	2022/04/14	DOCUMENT NUMBER
	THIRD ANGLE PROJECTION		APPR: SCHIEN	2022/06/01	1111128421
	DRAWING		SERIES	MATERIAL NUMBER	CUSTOMER
	C-SIZE		111112	SEE SHEET 3	
					DOC TYPE DOC PART REVISION
					PSD ASY A
					SHEET NUMBER
					5 OF 7

# BEZEL AND BOARD POSITION DIMENSIONS FOR SINGLE SIDE MOUNTING (SPRING FINGER)



# BEZEL AND BOARD POSITION DIMENSIONS FOR BELLY TO BELLY MOUNTING (SPRING FINGER)



NOTE:  
 1. PCB THICKNESS VARIATION MUST BE CONSIDERED WHEN DETERMINING BEZEL OPENING LOCATION.  
 2. CAGE LEG STANDOFF WILL PIERCE BELLY GASKET WHEN PROPERLY PRESSED INTO PCB.

THIS DRAWING CONTAINS INFORMATION THAT IS PROPRIETARY TO MOLEX ELECTRONIC TECHNOLOGIES, LLC AND SHOULD NOT BE USED WITHOUT WRITTEN PERMISSION									
FUNCTIONAL SYMBOLS	DIMENSION UNITS	SCALE	CURRENT REV DESC: SEE REVISION TABLE						
$\frac{E}{A} = 0$	mm	2:1	EC NO: 707270 DRWN: ABHILT2 2022/04/14 CHK'D: TKUMARKC 2022/05/26 APPR: SCHIEN 2022/06/01 INITIAL REVISION: DRWN: ABHILT2 2022/04/14 APPR: SCHIEN 2022/06/01						
$\frac{E}{C} = 0$	GENERAL TOLERANCES (UNLESS SPECIFIED)								
$\frac{E}{P} = 0$	ANGULAR TOL ± 1.0°								
DIVISIONAL SYMBOLS	4 PLACES ±		PRODUCT CUSTOMER DRAWING						
	3 PLACES ±		DOCUMENT NUMBER				DOC TYPE	DOC PART	REVISION
	2 PLACES ± 0.15		111128421				PSD	ASY	A
	1 PLACE ± 0.25		MATERIAL NUMBER		CUSTOMER		SHEET NUMBER		
	0 PLACES ±		SEE SHEET 3				6 OF 7		
DRAFT WHERE APPLICABLE MUST REMAIN WITHIN DIMENSIONS		THIRD ANGLE PROJECTION	DRAWING	SERIES					
			C-SIZE	111112					

H

G

F

E

D

C

B

A

REV	DATE	DESCRIPTION
A	202/05/25	INITIAL RELEASE

<b>FUNCTIONAL SYMBOLS</b> = 0 = 0 = 0 <b>DIVISIONAL SYMBOLS</b> 3 PLACES ± 2 PLACES ± 0.15 1 PLACE ± 0.25 0 PLACES ± DRAFT WHERE APPLICABLE MUST REMAIN WITHIN DIMENSIONS	THIS DRAWING CONTAINS INFORMATION THAT IS PROPRIETARY TO MOLEX ELECTRONIC TECHNOLOGIES, LLC AND SHOULD NOT BE USED WITHOUT WRITTEN PERMISSION		DIMENSION UNITS: <b>mm</b>		SCALE: <b>1:1</b>		CURRENT REV DESC: SEE REVISION TABLE				
	GENERAL TOLERANCES (UNLESS SPECIFIED)		ANGULAR TOL ± 1.0°		EC NO: 707270		DRWN: ABHILT2 2022/04/14 CHK'D: TKUMARKC 2022/05/26 APPR: SCHIEN 2022/06/01				
	PRODUCT CUSTOMER DRAWING		INITIAL REVISION:		DRWN: ABHILT2 2022/04/14 APPR: SCHIEN 2022/06/01		DOCUMENT NUMBER: <b>111128421</b>		DOC TYPE: PSD DOC PART: ASY REVISION: <b>A</b>		
	DRAFT WHERE APPLICABLE MUST REMAIN WITHIN DIMENSIONS		THIRD ANGLE PROJECTION		DRAWING: <b>C-SIZE</b>		SERIES: <b>111112</b>		MATERIAL NUMBER: SEE SHEET 3 CUSTOMER:		SHEET NUMBER: 7 OF 7



SFP+ 1X4 SF CAGE ASSY'S  
PRESS FIT, HEAT SINKS, WITH SUS EMI SPRING FINGERS

PRODUCT CUSTOMER DRAWING