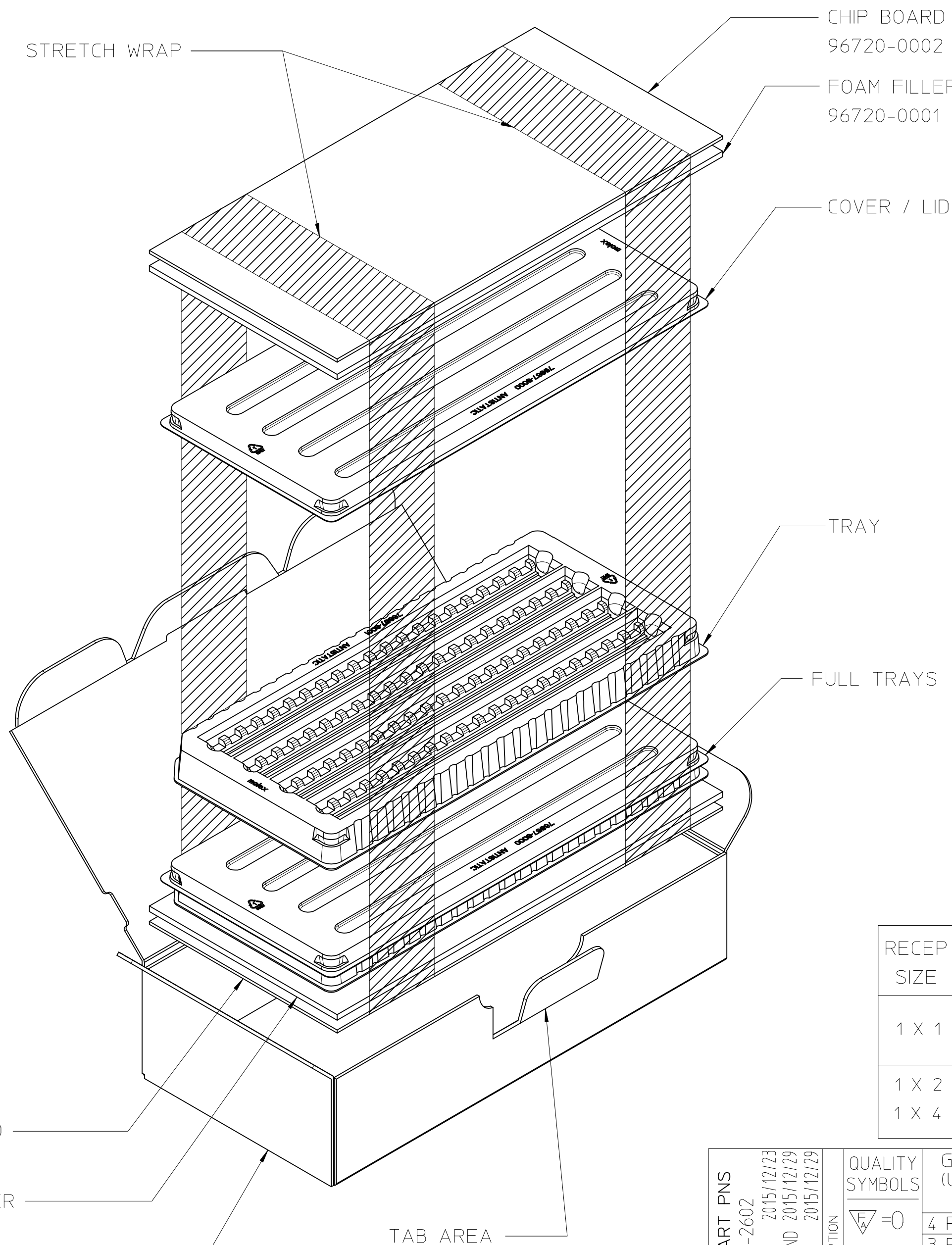


NOTES:

1. PLACE PART INTO TRAY
2. PLACE LID ON FULL TRAY
3. STACK FULL TRAYS ACCORDING TO QUANTITY IN TABLE
4. PLACE STACK OF TRAYS ON (1) CHIP BOARD AND (1) FOAM FILLER, THEN PLACE (1) FOAM FILLER AND (1) CHIP BOARD ON TOP OF TRAY STACK
5. STRETCH WRAP TRAYS WITH A MINIMUM OF 3-5 WRAPS INCLUDING COVERAGE OF CORNERS
6. USE FOAM FILLER AS NEEDED TO TAKE UP ANY EXTRA ROOM IN THE BOX, DISTRIBUTING THEM EVENLY BETWEEN ABOVE AND BELOW THE TRAY STACK
7. CLOSE CARTON WITH TAPE FROM TOP TO BOTTOM (ACROSS TAB AREA)
8. PLACE BOX IN FOAM END CAPS AND PLACE IN OUTER SHIPPING CARTON PER PK-70873-560
9. SEE SHEET 2 FOR PART ORIENTATION DETAILS



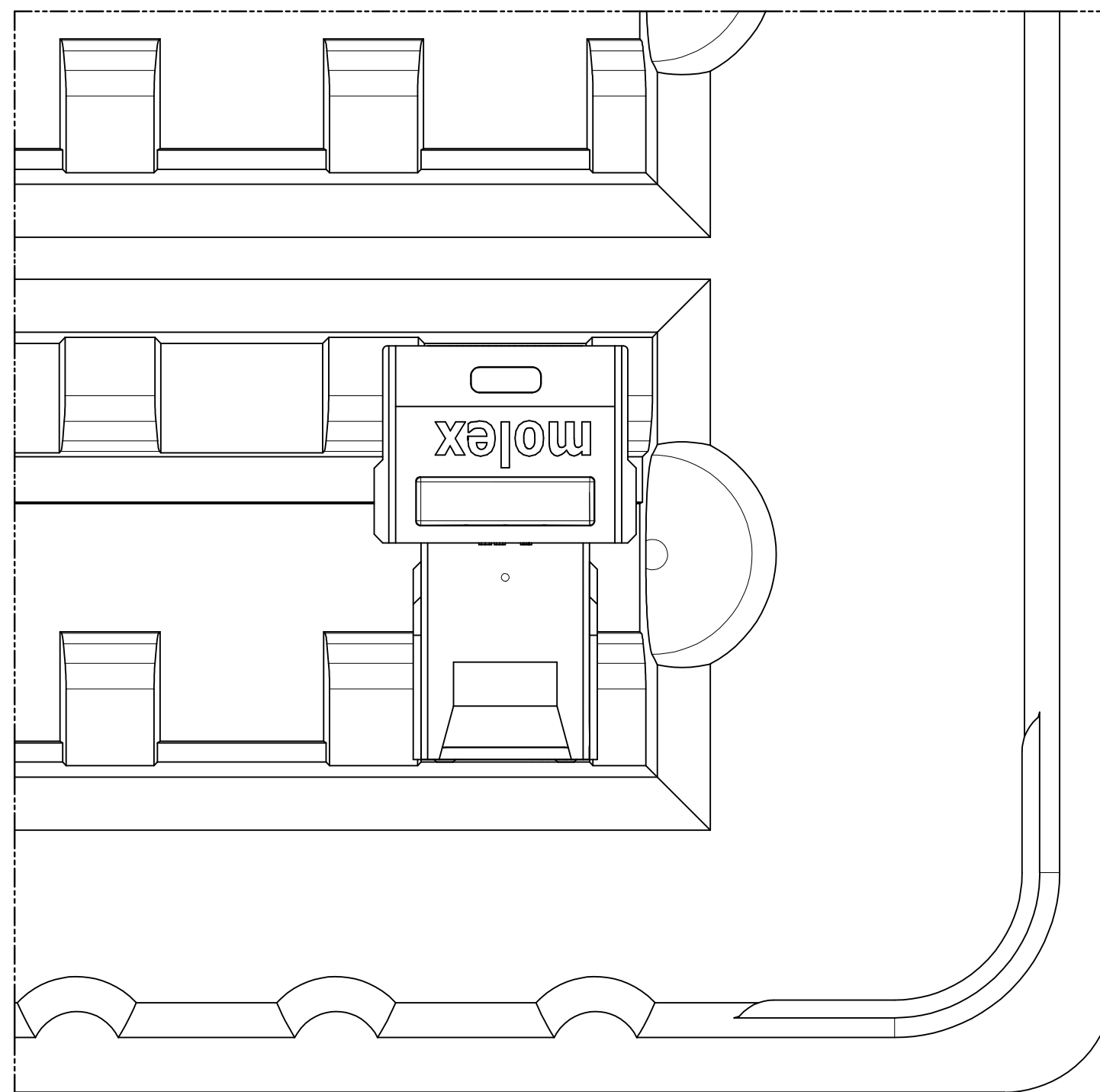
CHIP BOARD  
96720-0002

FOAM FILLER  
96720-0001

PRIMARY CARTON:  
96707-1003  
96707-0003

RECEP SIZE	TRAY MATL NUMBER	COVER / LID MATL NUMBER	TRAY/LID MATL TYPE	PARTS/ TRAY	TRAYS/ BOX	PARTS/ BOX
1 X 1	76867-8001	76867-8000	RPET ANTISTATIC	80	4	320
	76867-8011	76867-8010	APET STATIC DISSIPATIVE			
1 X 2	76867-8002	76867-8000	RPET ANTISTATIC	20	4	80
1 X 4	76867-8012	76867-8010	APET STATIC DISSIPATIVE			

ADD APET CHART PINS EC NO: UCP2016-2602 DRWN:TMCCLELL 2015/12/23 CHKD:TMCCLELL AND 2015/12/29 APPR:TMCCLELL 2015/12/29 REV C7	QUALITY SYMBOLS 	GENERAL TOLERANCES (UNLESS SPECIFIED) <table border="1"> <tr> <td></td> <td>mm</td> <td>INCH</td> </tr> <tr> <td>4 PLACES</td> <td>± ---</td> <td>± ---</td> </tr> <tr> <td>3 PLACES</td> <td>± ---</td> <td>± ---</td> </tr> <tr> <td>2 PLACES</td> <td>± ---</td> <td>± ---</td> </tr> <tr> <td>1 PLACE</td> <td>± ---</td> <td>± ---</td> </tr> <tr> <td>0 PLACE</td> <td>± ---</td> <td>± ---</td> </tr> </table>		mm	INCH	4 PLACES	± ---	± ---	3 PLACES	± ---	± ---	2 PLACES	± ---	± ---	1 PLACE	± ---	± ---	0 PLACE	± ---	± ---	DIMENSION STYLE <b>MM ONLY</b> DRAWN BY: VVBHAT DATE: 2010/01/13 CHECKED BY: KLANG DATE: 2010/01/13 APPROVED BY: MBANAKIS DATE: 2010/01/13 MATERIAL NO. N/A	SCALE: 1:2.5 DESIGN UNITS: METRIC THIRD ANGLE PROJECTION	TITLE: <b>IPASS INTERNAL R/A RECEPTACLE ASSY PACKAGING SPECIFICATION</b> <b>molex</b> DOCUMENT NO. PK-76867-001 SHEET NO. 1 OF 2
		mm	INCH																				
	4 PLACES	± ---	± ---																				
	3 PLACES	± ---	± ---																				
	2 PLACES	± ---	± ---																				
1 PLACE	± ---	± ---																					
0 PLACE	± ---	± ---																					
DRAFT WHERE APPLICABLE MUST REMAIN WITHIN DIMENSIONS		THIS DRAWING CONTAINS INFORMATION THAT IS PROPRIETARY TO MOLEX INCORPORATED AND SHOULD NOT BE USED WITHOUT WRITTEN PERMISSION																					



Detail 1  
Scale 3:1

PART ORIENTATION DETAILS

SEE SHEET 1 EC NO: UCP2016-2602 DRWN: TMCLELL 2015/12/23 CHKD: TMCLELL AND 2015/12/29 APPR: TMCLELL 2015/12/29	QUALITY SYMBOLS	GENERAL TOLERANCES (UNLESS SPECIFIED)		DIMENSION STYLE MM ONLY		SCALE 1:2	DESIGN UNITS METRIC	THIRD ANGLE PROJECTION	
	▽=0	4 PLACES	mm	INCH	DRAWN BY VVBHAT	DATE 2010/01/13	TITLE IPASS INTERNAL R/A RECEPTACLE ASSY PACKAGING SPECIFICATION		
	▽=0	3 PLACES	± ---	± ---	CHECKED BY KLANG	DATE 2010/01/13	<b>moLEX</b> DOCUMENT NO. PK-76867-001 SHEET NO. 2 OF 2		
	▽=0	2 PLACES	± ---	± ---	APPROVED BY MBANAKIS	DATE 2010/01/13			
		1 PLACE	± ---	± ---	MATERIAL NO. N/A				
	0 PLACE	± ---	± ---	ANGULAR ±1/2°					
		DRAFT WHERE APPLICABLE MUST REMAIN WITHIN DIMENSIONS		THIS DRAWING CONTAINS INFORMATION THAT IS PROPRIETARY TO MOLEX INCORPORATED AND SHOULD NOT BE USED WITHOUT WRITTEN PERMISSION					