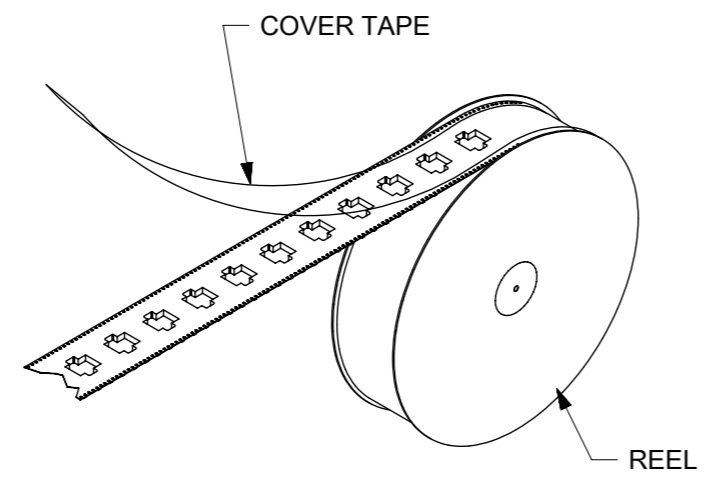
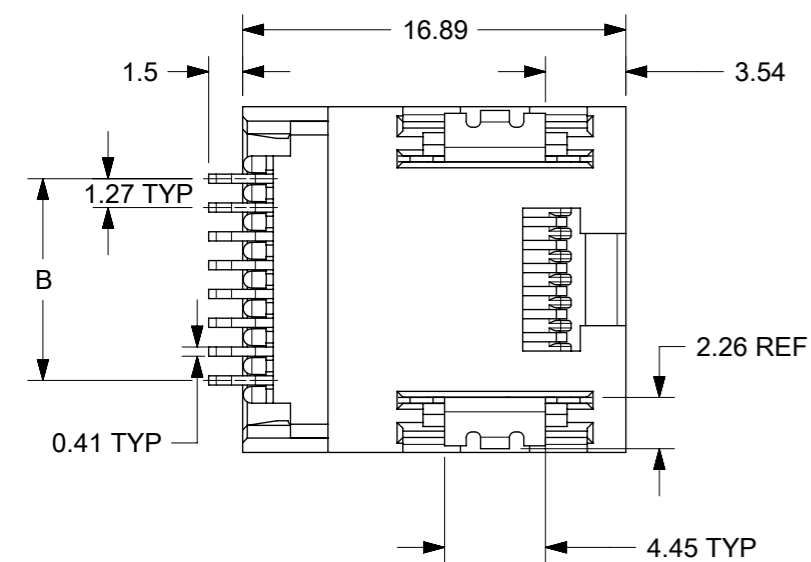


HOUSING SIZE	CIRCUIT SIZE	DIM. A	DIM. B
6	6	13.21	6.35
6	4	13.21	3.81
6	2	13.21	1.27
8	8	15.24	8.89
8	6	15.24	6.35



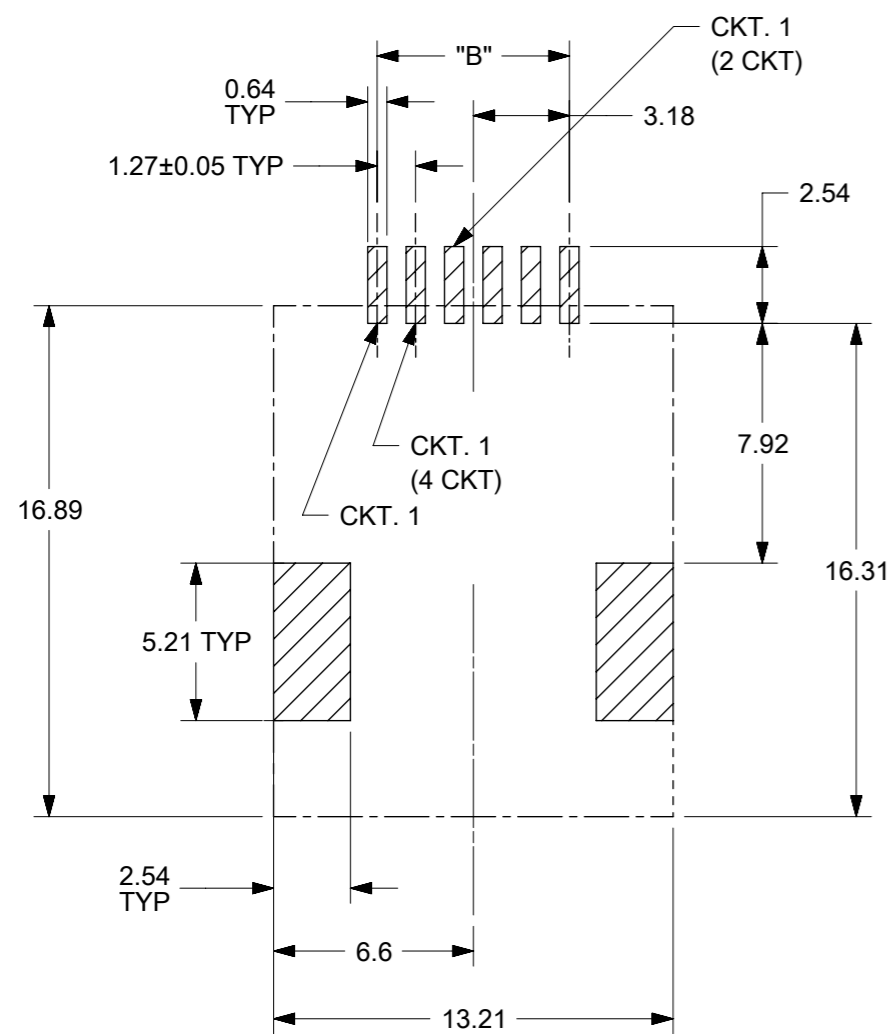
VACUUM FORMED CARRIER TAPE WITH SPROCKET HOLES  
TAPE AND REEL PACKAGING

- NOTES :
- MATERIALS:  
HOUSING: NYLON, GLASS-FILLED, UL94V-0; COLOR - SEE CHART  
TERMINALS: PHOSPHOR BRONZE, 0.30 mm THICK  
FITTING NAILS: BRASS ALLOY, 0.25 mm THICK
  - FINISH:  
TERMINALS:  
(A) SELECT GOLD IN CONTACT AREA: 0.00127 mm MIN.,  
\*SELECT MATTE TIN IN PC TAIL AREA: 0.00254 mm MIN.,  
WITH OVERALL NICKEL UNDERPLATE: 0.00127 mm MIN.  
(B) SELECT GOLD IN CONTACT AREA: 0.00076 mm MIN.,  
\*SELECT MATTE TIN IN PC TAIL AREA: 0.00254 mm MIN.,  
WITH OVERALL NICKEL UNDERPLATE: 0.00127 mm MIN.  
(C) SELECT GOLD IN CONTACT AREA: 0.00038 mm MIN.,  
\*SELECT MATTE TIN IN PC TAIL AREA: 0.00254 mm MIN.,  
WITH OVERALL NICKEL UNDERPLATE: 0.00127 mm MIN.  
FITTING NAILS:  
\*2.54 MICROMETER MATTE TIN OVER 1.27 MICROMETER NICKEL UNDERPLATE  
\*THE PRIMARY SHIPPING CARTON WILL BE LABELED "ELV AND RoHS COMPLIANT" CARTONS WITHOUT THIS LABEL MAY CONTAIN PRODUCT WITH TIN-LEAD IN THE PC TAIL AND/OR FITTING NAILS.
  - PRODUCT SPECIFICATION: PS-43743-0001
  - COPLANARITY SPECIFICATION:  
WITH THE MODULAR JACK SITTING ON A LEVEL SURFACE, THE MAXIMUM GAP BETWEEN THE LEVEL SURFACE AND ALL TERMINAL TAILS AND BOTH FITTING NAILS IS 0.15 mm.
  - FOR ASSEMBLIES HAVING VOIDED CIRCUITS, THE TAIL PORTION IS CUT AND REMOVED. THE MATING PORTION OF THE TERMINAL REMAINS INTACT.
  - CONVECTION SOLDERING TECHNOLOGY SHOULD BE USED WHEN GANGING MODULAR JACKS WITH INBOARD NAILS SIDE-BY-SIDE.
  - THIS PART CONFORMS TO CLASS B REQUIREMENTS OF COSMETIC SPECIFICATION PS-45499-002.

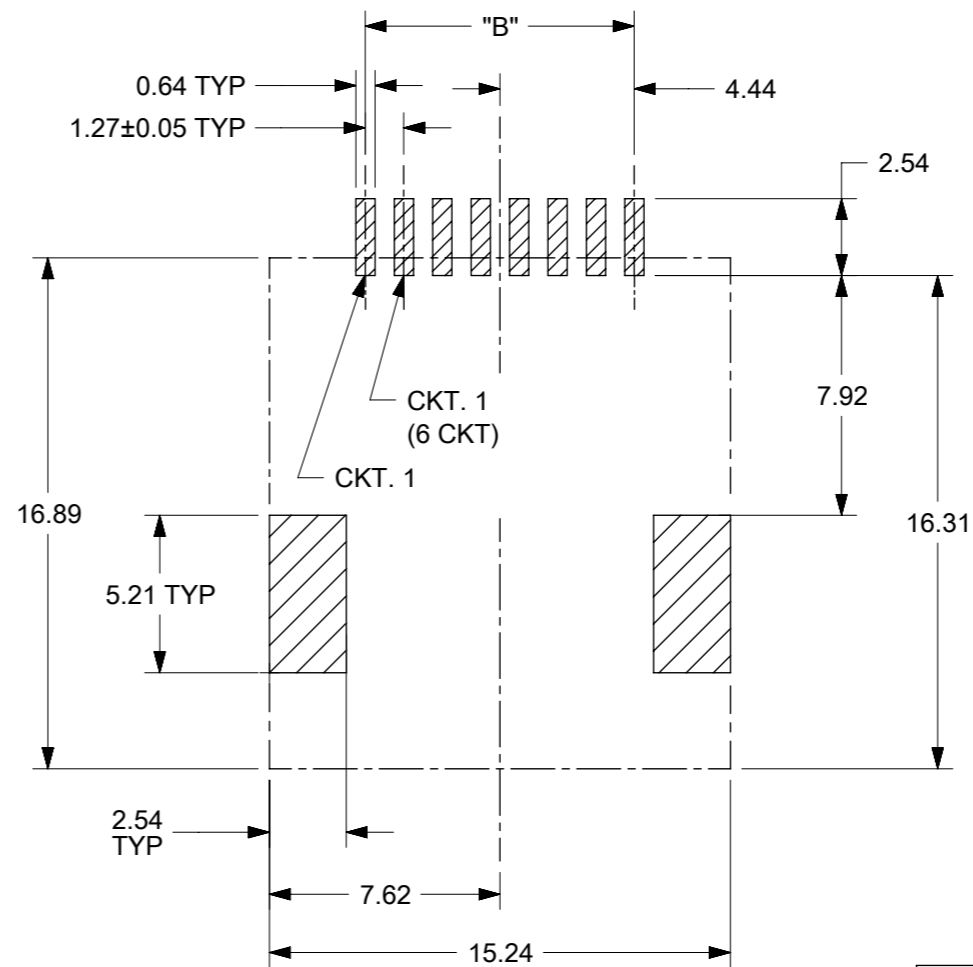
ASSEMBLY ITEM NO.	CONNECTOR SIZE	CIRCUIT SIZE	TERMINAL PLATING	TAPE & REEL PACKAGING No.	VOIDED CIRCUITS	HOUSING COLOR
44144-0003	8	8	A	PK-70873-7002	NA	BLACK
44144-0004	6	4	A	PK-70873-7001	NA	
44144-0005	6	6	A	PK-70873-7001	NA	
44144-0014	6	4	C	PK-70873-7001	NA	

THIS DRAWING CONTAINS INFORMATION THAT IS PROPRIETARY TO MOLEX ELECTRONIC TECHNOLOGIES, LLC AND SHOULD NOT BE USED WITHOUT WRITTEN PERMISSION

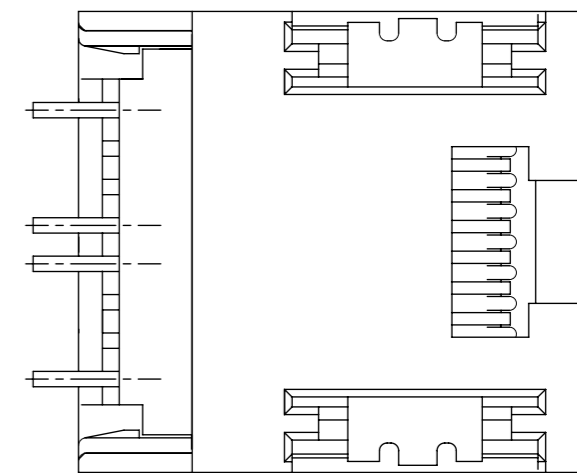
DIMENSION UNITS	SCALE	CURRENT REV DESC: REMOVED OBSOLETE PART NUMBER AS PER PCN#511695.	
mm	3:1		
GENERAL TOLERANCES (UNLESS SPECIFIED)			
ANGULAR TOL	± 0.5°	EC NO: 730178 DRWN: SANTHN 2022/12/05 CHK'D: GGA 2023/01/04 APPR: GGA 2023/01/04	
4 PLACES	±		
3 PLACES	±	INITIAL REVISION: DRWN: AFENG02 2017/02/23 APPR: KLANG 2017/02/27	
2 PLACES	± 0.25		
1 PLACE	± 0.38	DOCUMENT NUMBER: SD-44144-001 DOC TYPE: PSD DOC PART: 001 REVISION: H8	
0 PLACES	±	DRAFT WHERE APPLICABLE MUST REMAIN WITHIN DIMENSIONS THIRD ANGLE PROJECTION DRAWING: A3-SIZE SERIES: 44144 MATERIAL NUMBER: SEE CHART CUSTOMER: GENERAL MARKET SHEET NUMBER: 1 OF 2	



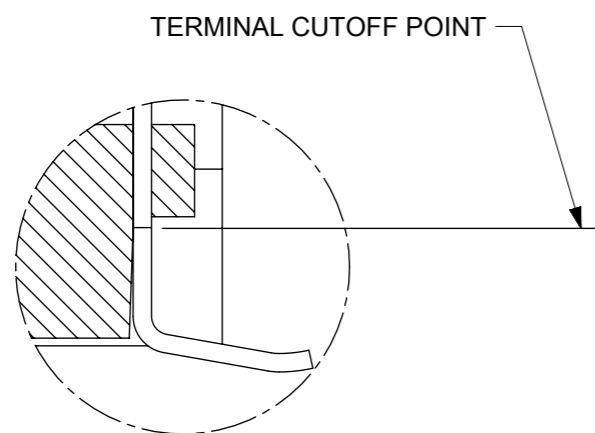
PCB LAYOUT FOR CONNECTOR SIZE 6  
(COMPONENT SIDE OF BOARD)



PCB LAYOUT FOR CONNECTOR SIZE 8  
(COMPONENT SIDE OF BOARD)

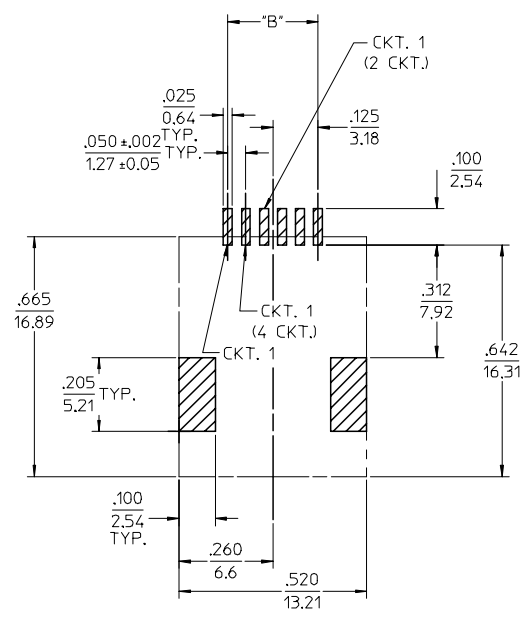


TYPICAL VIEW SHOWING VOIDED CIRCUIT  
44144-0016 SHOWN

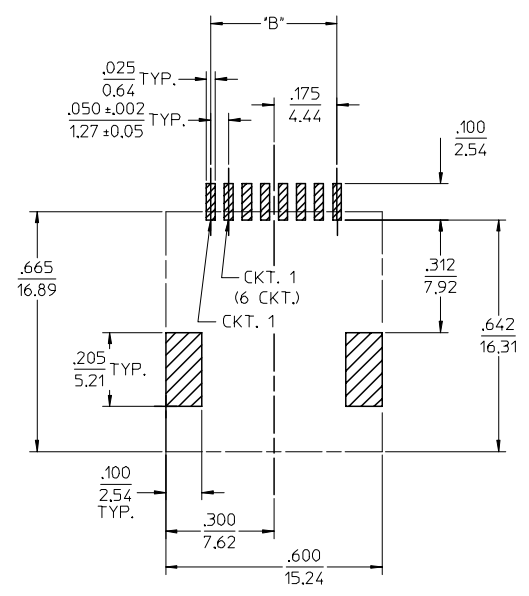


VIEW SHOWING TYPICAL TERMINAL  
CUTOFF OF TAIL (SEE NOTE 5) FOR VOIDED CIRCUITS.

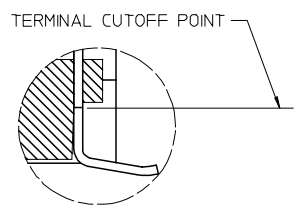
THIS DRAWING CONTAINS INFORMATION THAT IS PROPRIETARY TO MOLEX ELECTRONIC TECHNOLOGIES, LLC AND SHOULD NOT BE USED WITHOUT WRITTEN PERMISSION											
DIMENSION UNITS <b>mm</b>		SCALE <b>4:1</b>		CURRENT REV DESC: REMOVED OBSOLETE PART NUMBER AS PER PCN#511695.						<b>molex</b>	
GENERAL TOLERANCES (UNLESS SPECIFIED)				EC NO: 730178 DRWN: SANTHN 2022/12/05 CHK'D: GGA 2023/01/04 APPR: GGA 2023/01/04							
ANGULAR TOL ± 0.5°				INITIAL REVISION:						PRODUCT CUSTOMER DRAWING	
4 PLACES ±		3 PLACES ±		2 PLACES ± 0.25		1 PLACE ± 0.38		0 PLACES ±		DOCUMENT NUMBER <b>SD-44144-001</b>	
DRAFT WHERE APPLICABLE MUST REMAIN WITHIN DIMENSIONS				THIRD ANGLE PROJECTION 		DRAWING <b>A3-SIZE</b>		SERIES <b>44144</b>		MATERIAL NUMBER SEE CHART	
RELEASE DATE 2023/01/04		04:25:01		CUSTOMER GENERAL MARKET		SHEET NUMBER 2 OF 2		DOC TYPE PSD		DOC PART 001	
REVISION: 11		DATE: 2021/05/01		APPR: KLANG		2017/02/27		2017/02/27		H8	



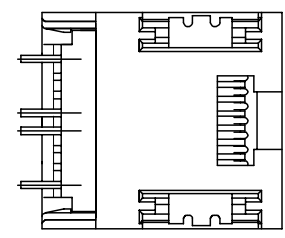
PCB LAYOUT FOR CONNECTOR SIZE 6  
(COMPONENT SIDE OF BOARD)



PCB LAYOUT FOR CONNECTOR SIZE 8  
(COMPONENT SIDE OF BOARD)



VIEW SHOWING TYPICAL TERMINAL  
CUTOFF OF TAIL (SEE NOTE 5) FOR VOIDED CIRCUITS.



TYPICAL VIEW SHOWING VOIDED CIRCUIT  
44144-0016 SHOWN

SEE SHEET ONE EC NO: UCP2004-0798 DRW:LSCHMIDT 2004/01/05 CHKD:LSCHMIDT 2004/01/05 APPR:FSMITH 2004/01/08	QUALITY SYMBOLS ▽ = 0 ▽ = 0	GENERAL TOLERANCES (UNLESS SPECIFIED)		SCALE 4:1	DESIGN UNITS INCH	THIRD ANGLE PROJECTION	REVISE ON CAD ONLY	
		DIMENSION STYLE IN/MM		TITLE		4, 6, 8 CIRCUIT SMT MODULAR JACK W/ FLUSH FITTING NAILS		
		4 PLACES ± --- ± --- 3 PLACES ± --- ± .010 2 PLACES ± 0.25 ± .015 1 PLACE ± 0.38 ± --- ANGULAR ± 1/2°		DRAWN BY DSTAMBAU DATE 00/04/07	CHECKED BY BWIRKUS DATE 00/04/07			
		DRAFT WHERE APPLICABLE MUST REMAIN WITHIN DIMENSIONS		APPROVED BY R EDGLEY DATE 00/04/07	MATERIAL NO. SEE CHART	DOCUMENT NO. SD-44144-001	SHEET NO. 2 OF 2	