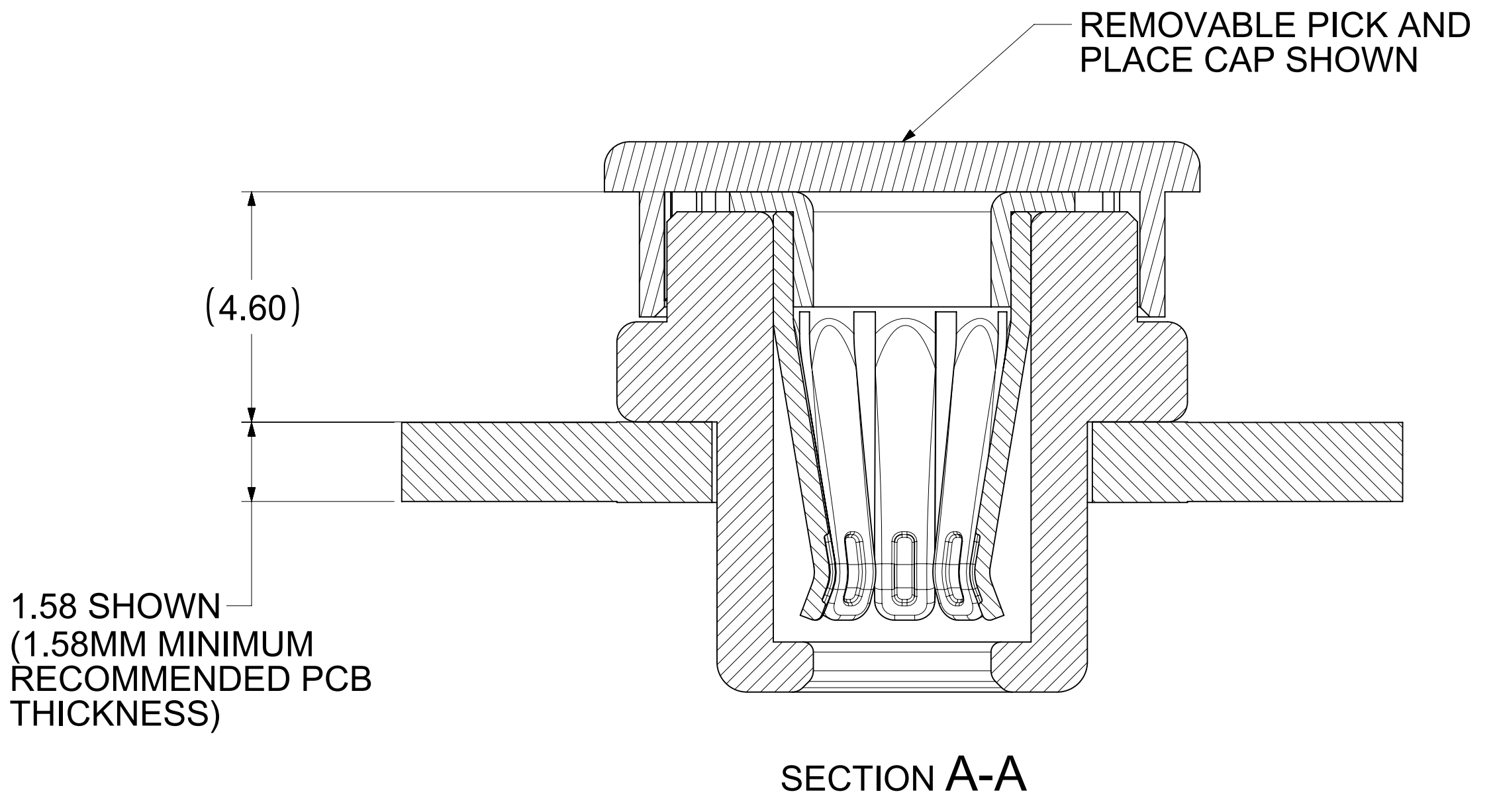


MATING PROFILE



- NOTES:**
- MATERIALS:**
RETENTION CAP: STAINLESS STEEL
PICK AND PLACE CAP: LCP UL94, V-0 COLOR BLACK
BASE METAL: HIGH CONDUCTIVE COPPER ALLOY
PLATING ON CONTACTS: 0.75 MICRON MIN GOLD OVER 1.27 MICRON MIN NICKEL
PLATING ON BODY: 3.18 MICRON MIN SILVER OVER 1.27 MICRON MIN NICKEL
 - MATES WITH THE STANDARD PIN DRAWINGS:**
 - 3.4MM SMT DRAWING 2032631134-SD, MIN. MATE DISTANCE 6.56MM
 - 3.4MM PRESS FIT DRAWING 2032630034-SD, MIN. MATE DISTANCE 6.31MM
 - 3.4MM SCREW MOUNT DRAWING 2032638034-SD, MIN. MATE DISTANCE 9.31MM
 - PRODUCT SPECIFICATION:** 2043130018-PS
 - APPLICATION SPECIFICATION:** 2043130018-AS.
SEE APPLICATION SPEC FOR SOLDERING INFORMATION.
 - PACKAGING SPECIFICATION:** 2043180018-PK.
 - SILVER COMPONENTS WILL BE SUPPLIED TARNISH FREE BUT MAY TARNISH OVER TIME.**
 - PICK AND PLACE CAP TO BE REMOVED AFTER SOLDERING**
 - DATE CODE TO BE LASER MARKED APPROXIMATELY WHERE SHOWN USING DDYY FORMAT**

THIS DRAWING CONTAINS INFORMATION THAT IS PROPRIETARY TO MOLEX ELECTRONIC TECHNOLOGIES, LLC AND SHOULD NOT BE USED WITHOUT WRITTEN PERMISSION											
DIMENSION UNITS		SCALE		CURRENT REV DESC: UPDATED THE TITLE BLOCK							
mm		NTS									
GENERAL TOLERANCES (UNLESS SPECIFIED)											
ANGULAR TOL ± 0.5°											
4 PLACES		±		EC NO: 730607							
3 PLACES		±		DRWN: SOURAJ				2022/11/30			
2 PLACES		± 0.15		CHK'D: GSHARMA				2022/12/08			
1 PLACE		± 0.25		APPR: HTHYAGARAJ				2022/12/14			
0 PLACES		±		INITIAL REVISION:							
				DRWN: RLOW				2020/01/06			
				APPR: BPISZCZOR				2020/06/15			
DRAFT WHERE APPLICABLE MUST REMAIN WITHIN DIMENSIONS				THIRD ANGLE PROJECTION		DRAWING		SERIES		MATERIAL NUMBER	
				D-SIZE		204318		2043185018		CUSTOMER	
								GENERAL MARKET		SHEET NUMBER	
										1 OF 1	