

REVISIONS					
P	LTR	DESCRIPTION	DATE	DWN	APVD
	AM	ECO-20-004897	24AUG2020	SB	JB

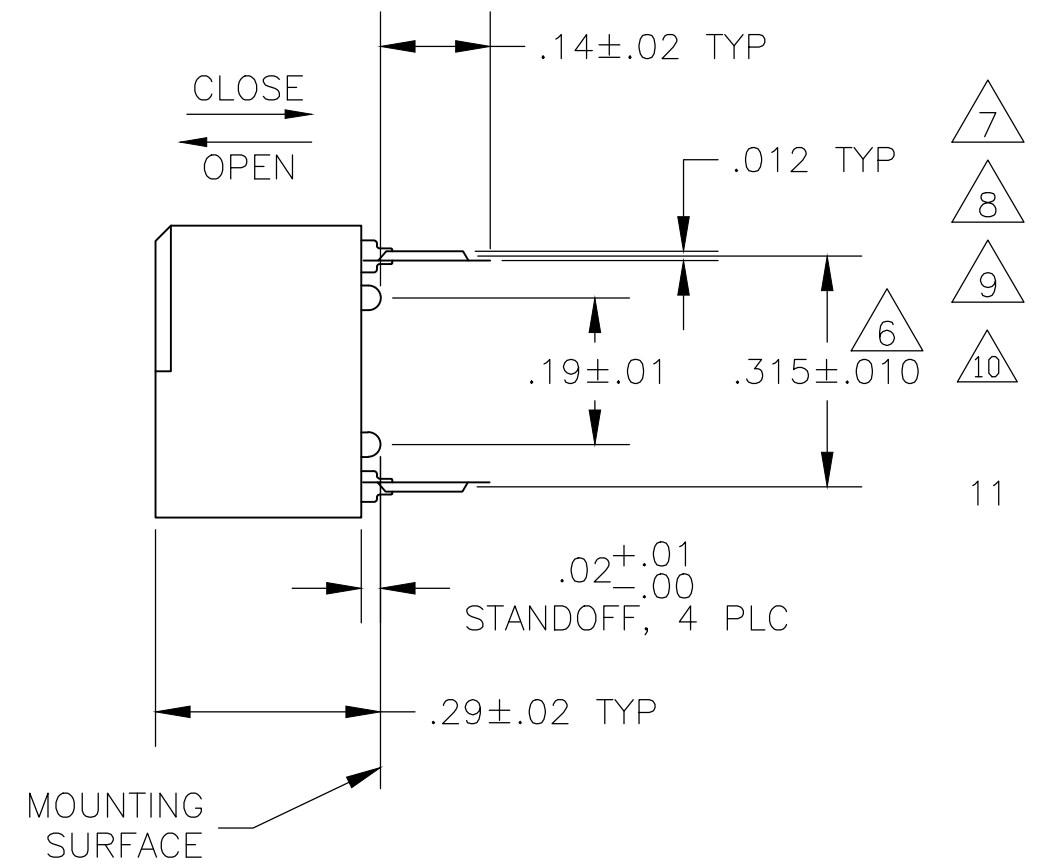
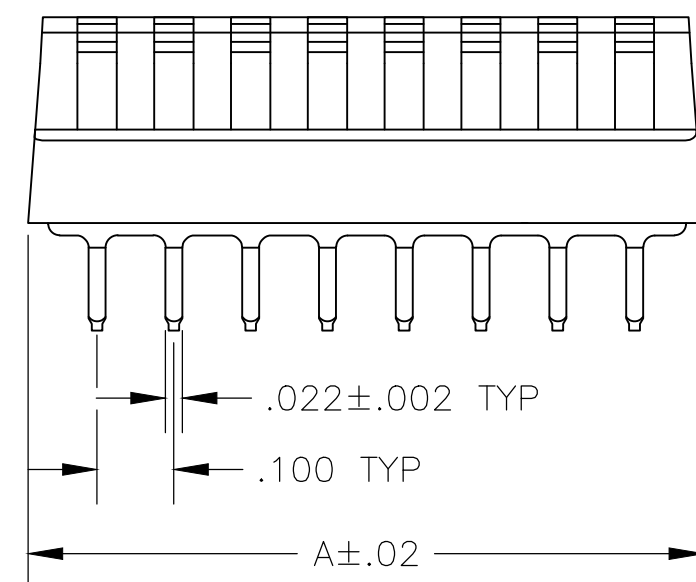
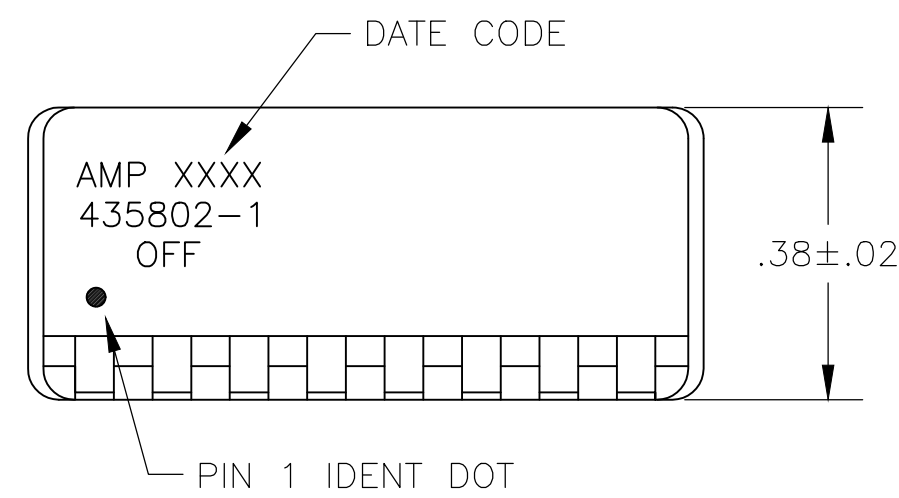
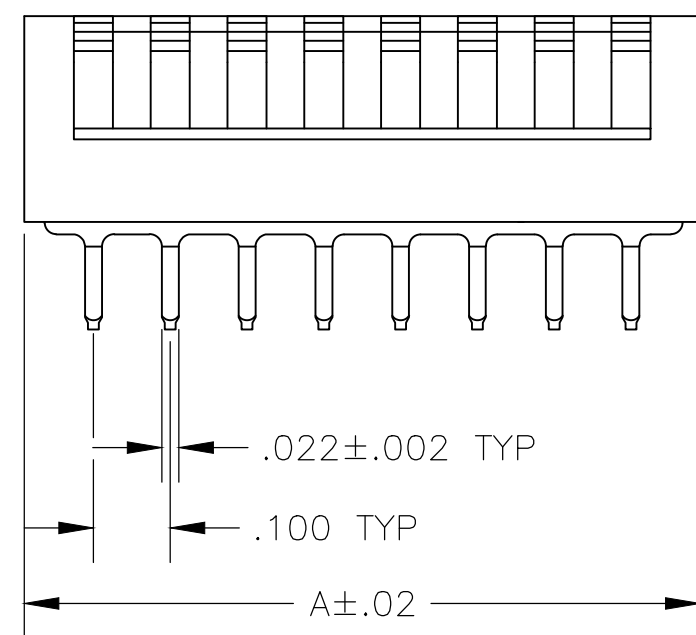
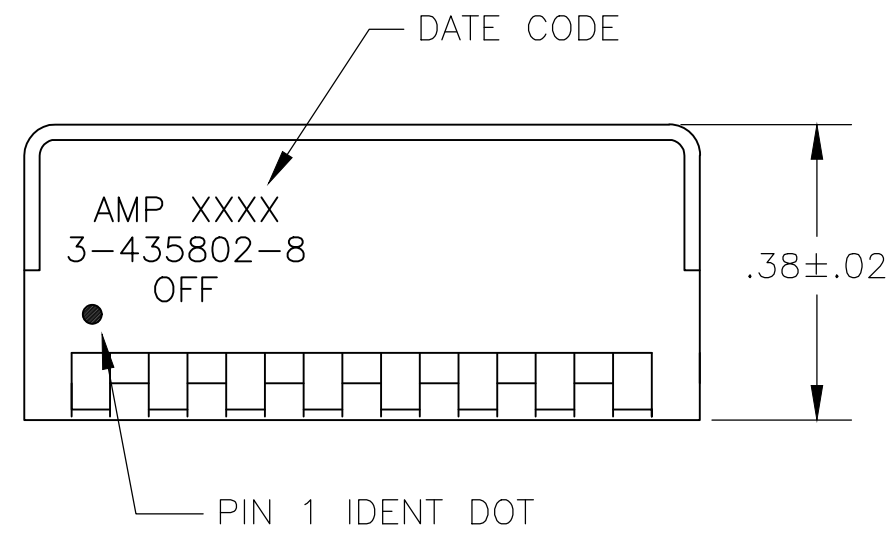
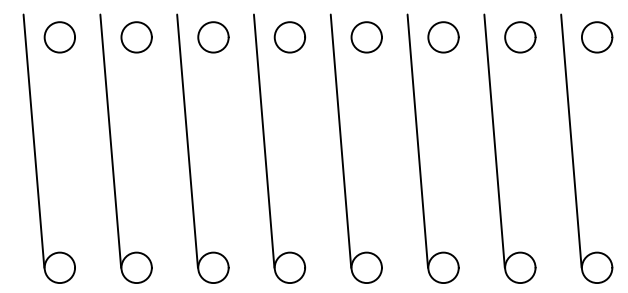


FIG 1



CONTACT ARRANGEMENT

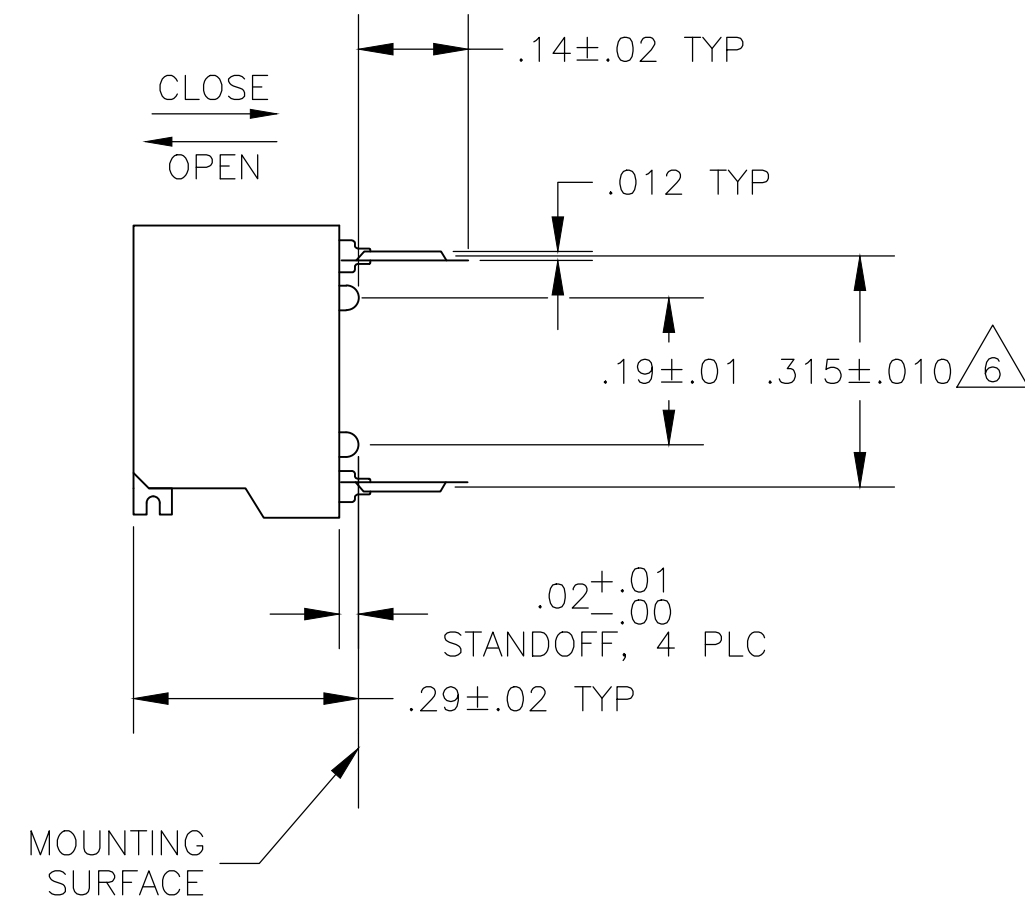


FIG 2

- 7 NO POSITION MARKING.
- 8 NO PART NO. MARKING.
- 9 STRIPPABLE TAPE SEAL, SEE FIGURE 8.
- 10 OBSOLETE PARTS: OBSOLETE CIS STREAMLINING PER D.RENAUD/D.SINISI
- 11 MARKS WILL BE ADDED BY LASER MARK PROCESS.

- 1 FOR ADDITIONAL SPECIFICATIONS SEE AMP PRODUCT SPEC 108-7519.
- 2 SWITCH SHOWN IN OPEN POSITION.
- 3 ALL CHARACTERS AND ROCKERS ARE WHITE, HOUSING IS BLACK.
- 4 LASER MARKING WILL VARY ON 2 AND 3 POSITION TOPS DUE TO SPACE RESTRICTIONS.
- 5 STRIPPABLE TRANSPARENT SEAL, SEE FIG 6.
- 6 .315 DIMENSION APPLIES AT TERMINAL TIPS. TERMINALS ARE .300+.010 / -.000 AT MOUNTING SURFACE.

FIG	FIG 3A& 7	PROTECTIVE SEAL	NO OF POSN	PART NO.	
FIG 2	FIG 3A& 7	-	1.08	10	6-435802-3
FIG 1	FIG 3B	9	.88	8	3-435802-8
SUPSD BY 1-435802-6	FIG 2	5	.58	5	3-435802-1
OBSOLETE	FIG 2	5	.88	8	3-435802-0
SUPSD BY 2-5435802-9	FIG 2	5	.48	4	2-435802-9
SUPSD BY 1-435802-0	FIG 1	-	.28	2	2-435802-8
OBSOLETE	FIG 1	5	.28	2	2-435802-7
OBSOLETE	FIG 2	5	1.08	10	2-435802-6
OBSOLETE	FIG 2	5	.88	8	2-435802-5
OBSOLETE	FIG 2	5	.88	8	2-435802-4
OBSOLETE	FIG 2	5	.48	4	2-435802-3
FIG 2	FIG 3A	5	1.28	12	2-435802-2
FIG 2	FIG 3A	5	1.18	11	2-435802-1
FIG 2	FIG 3A	5	1.08	10	2-435802-0
FIG 2	FIG 3A	5	.98	9	1-435802-9
FIG 2	FIG 3A	5	.78	7	1-435802-8
FIG 2	FIG 3A	5	.68	6	1-435802-7
FIG 2	FIG 3A	5	.58	5	1-435802-6
FIG 2	FIG 3A	5	.48	4	1-435802-5
SUPSD BY 435802-2	FIG 2	5	.38	3	1-435802-4
SUPSD BY 3-1437590-2	FIG 1	5	.28	2	1-435802-3
OBSOLETE	FIG 2	-	1.28	12	1-435802-2
FIG 1	FIG 3B	-	.28	2	1-435802-0
FIG 2	FIG 3B	5	.88	8	435802-9
FIG 2	FIG 3A	-	1.08	10	435802-8
SUPSD BY 5435802-7	FIG 2	-	.98	9	435802-7
FIG 2	FIG 3A	-	.78	7	435802-6
FIG 2	FIG 3A	-	.68	6	435802-5
FIG 2	FIG 3A	-	.58	5	435802-4
FIG 2	FIG 3A	-	.48	4	435802-3
FIG 2	FIG 3A	-	.38	3	435802-2
FIG 2	FIG 3A	-	.88	8	435802-1
HOUSING	MARKING	PROTECTIVE SEAL	A	NO OF POSN	PART NO.

435802-1 SHOWN

THIS DRAWING IS A CONTROLLED DOCUMENT.

DIMENSIONS: INCHES	TOLERANCES UNLESS OTHERWISE SPECIFIED:	DWN R. TALLEY 9-19-89	TE Connectivity Ltd.
	0 PLC ± -	CHK R. MILLER 9-19-89	
	1 PLC ± -	APVD H. LEITER 9-19-89	
	2 PLC ± -	PRODUCT SPEC	
	3 PLC ± .005	APPLICATION SPEC	NAME SWITCH ASSY, DIP, TYPE C, 7000 SERIES, SPST, SIDE ACTUATED
	4 PLC ± -		SIZE A2
	ANGLES ± -		CAGE CODE 00779
MATERIAL HOUSING & ROCKERS: POLYESTER CONTACTS: BERYLLIUM COPPER	FINISH CONTACTS: PLATED .000030 MIN GOLD IN CONTACT AREA OVER .000050 MIN NICKEL	WEIGHT -	DRAWING NO C=435802
		CUSTOMER DRAWING	RESTRICTED TO -

SCALE 4:1 SHEET 1 OF 2 REV AM

REVISIONS					
P	LTR	DESCRIPTION	DATE	DWN	APVD
-	-	SEE SHEET 1	-	-	-

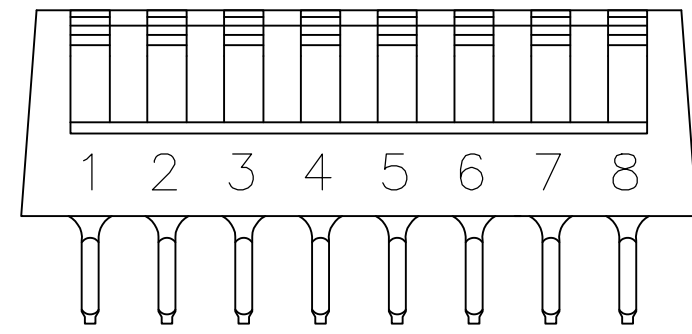


FIG 3A

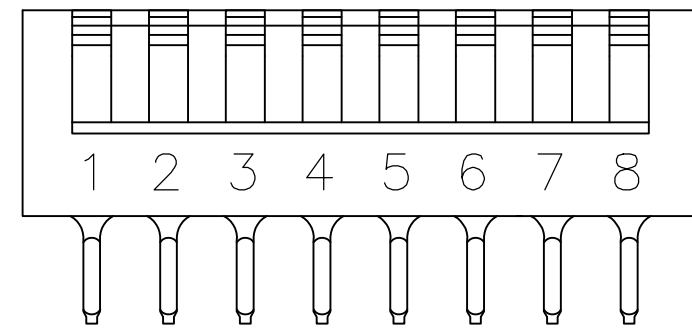


FIG 3B

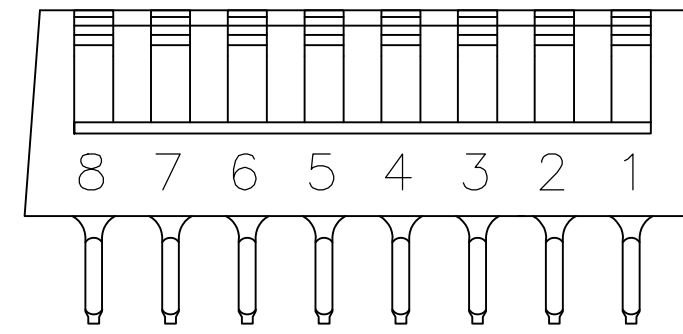


FIG 4

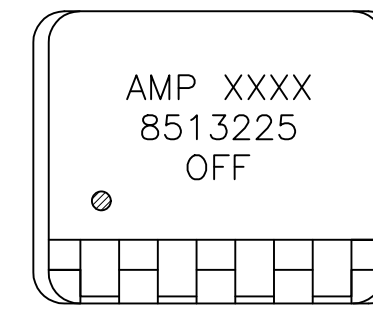
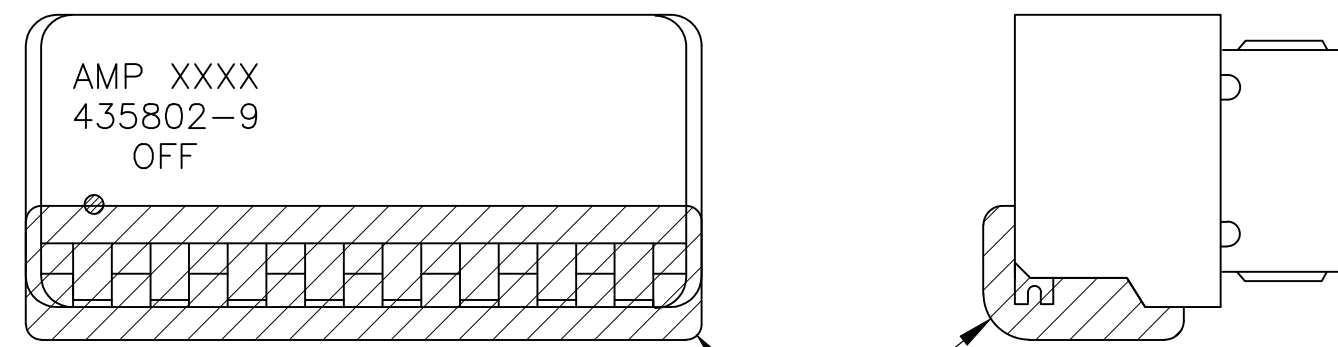
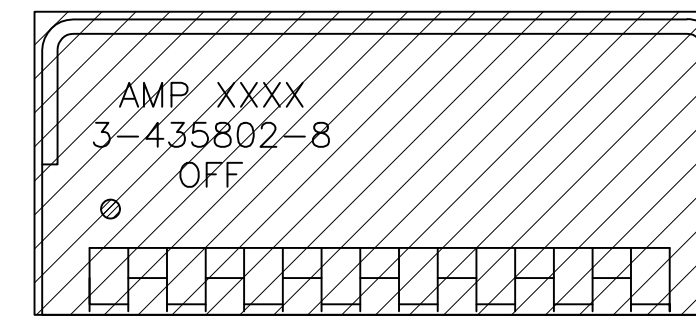


FIG 5



PROTECTIVE SEAL
FIG 6



PROTECTIVE SEAL

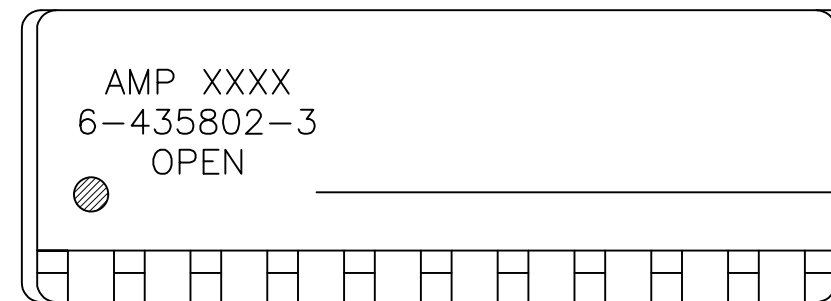


FIG 7

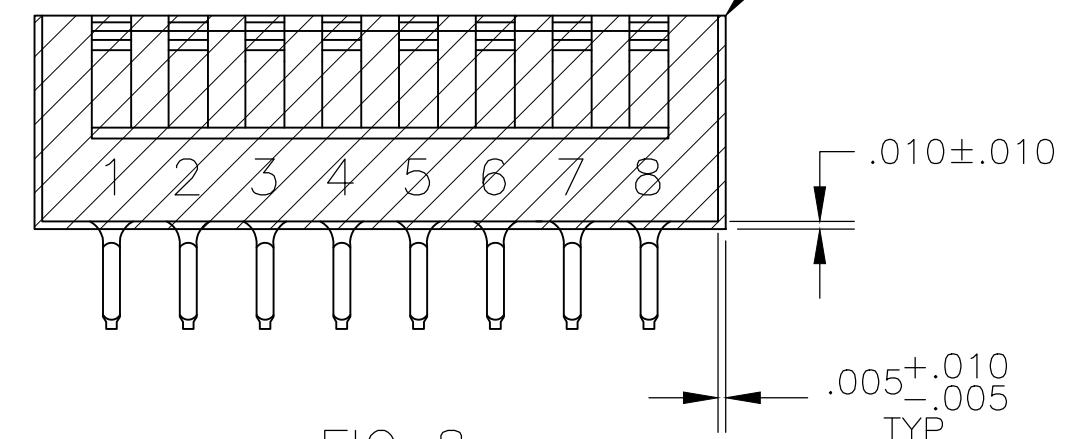


FIG 8

THIS DRAWING IS A CONTROLLED DOCUMENT.		DWN R. TALLEY 9-19-89	TE Connectivity Ltd.	
DIMENSIONS: INCHES		CHK R. MILLER 9-19-89		
TOLERANCES UNLESS OTHERWISE SPECIFIED:		APVD H. LEITER 9-19-89	NAME SWITCH ASSY, DIP, TYPE C, 7000 SERIES, SPST, SIDE ACTUATED	
0 PLC ± - 1 PLC ± - 2 PLC ± - 3 PLC ± .005 4 PLC ± - ANGLES ± -		PRODUCT SPEC -	SIZE A2	CAGE CODE 00779
MATERIAL SEE SHEET 1	FINISH SEE SHEET 1	APPLICATION SPEC -	DRAWING NO C=435802	RESTRICTED TO -
CUSTOMER DRAWING		WEIGHT -	SCALE 4:1	SHEET 2 OF 2
		REV AM		