

S-1110-SFP-XT Media and Rate Converters

 perle.com/products/10-100-1000-sfp-industrial-converters.shtml

10/100/1000Base-T to 100/1000Base-X Conversion

- 10/100/1000 Copper to 100/1000 Fiber SFP Media Converters
- Connect 10/100 industrial devices to Fast Ethernet or Gigabit backbone
- Empty slot for Cisco and other industry standard Gigabit or Fast Ethernet Fiber SFPs
- Automatically adjusts to speed of Gigabit and Fast Ethernet fiber SFP's
- Advanced features - Smart Link Pass-Through, Fiber Fault Alert, Auto-MDIX and Loopback
- -40F to +167F (-40C to +75C) extended temperature support
- Terminal block power connector



The **S-1110-XT Industrial Temperature SFP Media Converters** address the need for transparently connecting 10/100/1000 Ethernet equipment that operate in extreme temperatures to fiber optic cable. The S-1110-XT SFP Media Converters will operate in industrial grade temperatures of **-40°F to +167°F (-40°C to +75°C)**. Equipment found in **traffic management, oil and gas pipelines, weather tracking, industrial and outdoor applications** must function in temperatures that cannot be supported by a commercial based media converter. Boasting this extended temperature feature along with a rugged steel casing, the S-1110-XT SFP Media Converter provides an economical path to extend the distance between two industrial devices subjected to harsh environments and severe temperatures such as security cameras, wireless access points, alarms, traffic controllers, sensors and tracking devices. The pluggable fiber optics port allows for flexible network configurations using SFP transceivers supplied by Perle, Cisco or other manufacturers of MSA compliant SFPs.

Network Administrators can "see-everything" with Perle's advanced features such as Auto-Negotiation, Auto-MDIX, Link Pass-Through, Fiber Fault Alert, and Loopback. This allows for more efficient troubleshooting and less on-site maintenance. These cost and time saving features, along with a lifetime warranty and free worldwide technical support, make Perle's **S-1110-XT Industrial Temperature SFP Media Converters** the smart choice for IT professionals.

S-1110-XT 10/100/1000 to Fiber Industrial Temperature SFP Media Converter Features

SFP Speed Sensing	Automatically detects whether a Gigabit or Fast Ethernet fiber SFP has been inserted and adjusts accordingly.
-------------------	---

Auto-Negotiation (802.3u)	<p>The media converter supports auto negotiation. The 1000Base-X fiber interface negotiates according to 802.3 clause 37. The 10/100/1000Base-T negotiates according to 802.3 clause 28 and 40. The 1000Base-X will link up with its partner after the highest common denominator (HCD) is reached and the copper has linked up with its partner. The 1000Base-X will continue to cycle through negotiation transmitting a remote fault of offline (provided this is enabled through the switch setting) until the copper is linked up and the HCDs match.</p> <p>The media converter supports auto-negotiation of full duplex, half duplex, remote fault, full duplex pause, asymmetric pause and Auto MDI-X.</p>
Auto-MDIX	<p>Auto-MDIX (automatic medium-dependant interface crossover) detects the signaling on the copper ethernet interface to determine the type of cable connected (straight-through or crossover) and automatically configures the connection when enabled. The media converter can also correct for wires swapped within a pair.</p> <p>The media converter will adjust for up to 120ns of delay skew between the 1000Base-T pairs.</p>
Smart Link Pass-Through	<p>When the Link Mode switch is placed into Smart Link Pass-Through mode, the copper ethernet port will reflect the state of the 1000Base-X media converter port. This feature can be used whether fiber auto-negotiation is enabled or disabled.</p>
Fiber Fault Alert	<p>With Fiber Fault Alert the state of the 1000Base-X receiver is passed to the 1000Base-X transmitter. This provides fault notification to the partner device attached to the 1000Base-X interface of the media converter. If the 1000Base-X transmitter is off as a result of this fault it will be turned on periodically to allow the condition to clear should the partner device on the 1000Base-X be using a similar technique. This eliminates the possibility of lockouts that occur with some media converters. Applies only when fiber auto-negotiation is disabled.</p>
Pause (IEEE 802.3xy)	<p>Pause signaling is an IEEE feature that temporarily suspends data transmission between two devices in the event that one of the devices becomes overwhelmed. The media converter supports pause negotiation on the 10/100/1000Base-T connection and 1000Base-X fiber connection.</p>
Duplex	<p>Full and half duplex operation supported.</p>
Jumbo Packets	<p>Transparent to jumbo packets up to 10KB.</p>
VLAN	<p>Transparent to VLAN tagged packets.</p>
Remote Loopback	<p>Capable of performing a loopback on the 1000Base-X fiber interface.</p>

Similar Products S-1110P-XT PoE Media and Rate Converters: Supply PoE (IEEE 802.3af) up to 15W or PoE+ (IEEE 802.3at) up to 30W

S-1110-SFP-XT Hardware Specifications

Power

Input Supply Voltage	6 - 30 vDC, unregulated (12 vDC Nominal)
-----------------------------	--

Current	175 mA @ 12 vDC
----------------	-----------------

Power Consumption	2.1 watts
--------------------------	-----------

Power Connector	2-pin pluggable terminal block
------------------------	--------------------------------

Indicators

Power / TST	This green LED is turned on when power is applied to the media converter. Otherwise it is off. The LED will blink when in Loopback test mode.
--------------------	---

Fiber link on / Receive activity (LKF)	This green LED is operational only when power is applied. The LED is on when the 1000Base-X link is on and flashes with a 50% duty cycle when data is received.
---	---

Copper link on / Receive activity (LKC)	This green LED is operational only when power is applied. The LED is on when the 10/100/1000Base-T link is on and flashes with a 50% duty cycle when data is received.
--	--

Fiber Duplex (FDF)	This green LED is operational only when power is applied. The LED is on when the 10/100/1000Base-X link is operational in full duplex mode. The LED is off when in half duplex.
---------------------------	---

Copper Duplex (FDC)	This green LED is operational only when power is applied. The LED is on when the 10/100/1000Base-T link is operational in full duplex mode. The LED is off when in half duplex.
----------------------------	---

10/100/1000 Speed	This multi-color LED is operational only when power is applied. The LED is green when the speed of the copper ethernet port is running at 1000 Mbps. The LED is orange when the speed of the copper Ethernet port is running at 100 Mbps. The LED is off when in 10 Mbps.
--------------------------	---

Switches - accessible through a side opening in the chassis

Auto-Negotiation (802.3u)

Enabled (Default) - The media converter uses 802.3u Auto-negotiation on the 10/100/1000Base-T interface. It is set to advertise full duplex, half duplex, pause and remote fault capabilities.
Disabled - The media converter sets the port according to the position of the speed and duplex switches.

Link Mode

Link Mode provides a transparency to the state of the copper link allowing for simplified trouble shooting from the devices connected to the media converter.

Normal (Default – Up)

With Fiber Auto Negotiation enabled when the copper link goes down the 1000Base-X link is brought down. The 1000Base-X link will advertise Remote Fault (Link Fault).

With Fiber Auto Negotiation disabled the state of the copper link has no effect on the 1000Base-X link.

Smart Link Pass Through (Down)

With Fiber Auto Negotiation enabled the behavior is as follows. When the copper link goes down the 1000Base-X link is brought down. The 1000Base-X link will advertise Remote Fault (Link Fault). When Remote Fault (Link Fault) is received on the 1000Base-X interface the copper transmitter will be turned off. When the copper receiver is off the 1000Base-X transmitter will be turned off. When the 1000Base-X receiver goes off the copper transmitter will be turned off.

With Fiber Auto-Negotiation disabled the behavior is as follows. When the copper receiver is off the 1000Base-X transmitter will be turned off. When the 1000Base-X receiver goes off the copper transmitter will be turned off.

Fiber Fault Alert

The Fiber Fault Alert switch has meaning when Auto-Negotiation is disabled

Enabled (Default - Up)

When the 1000Base-X receiver is off the 1000Base-X transmitter is turned off. Periodically the 1000Base-X receiver will be turned on for a short period to allow the condition to clear if the 1000Base-X link partner is using a similar feature.

Disabled (Down)

Remote Loopback

The media converter can perform a loopback on the 1000Base-X fiber interface.

Disabled (Default - Up)

Enabled - The 1000Base-X receiver is looped to the 1000Base-X transmitter. The copper transmitter is taken off the interface.

Auto-MDIX (Internal Strap)	<p>If Auto-Negotiation (802.3u) is enabled, the media converter determines the current cable pinout to use on the copper interface. If Auto-Negotiation (802.3u) is disabled the Media converter will use the RX Energy method on the copper interface to set the port MDI or MDIX whichever is appropriate.</p> <p><i>Enabled (Default)</i> - Either a straight-through or crossover type cable can be used to connect the media converter to the device on the other end of the cable.</p> <p><i>Disabled</i> - If the partner device on the other end of the cable does not have the Auto-MDIX feature a specific cable, either a straight-through or crossover will be required to ensure that the media converter's transmitter and the partner devices transmitter are connected to the others receiver. The Media converter's 100Base-TX port is configured as MDI-X with this switch setting.</p>
Speed Copper	100 (Default) 10
Duplex Copper	Full (Default) Half
Duplex Fiber	Full (Default) Half
Connectors	
10/100/1000Base-T	RJ45 connector 2 pair CAT5, EIA/TIA 568A/B or better cable for 10/100. 4 pair CAT5 UTP cable for Gigabit.
Magnetic Isolation	1.5kv
Small Form Factor Pluggable (SFP) slot	Empty slot for 1000Base-X or 100Base-X <u>SFP modules supplied by Perle</u> , Cisco or other manufacturers of MSA compliant SFPs. Hot insertion and removable (hot swappable)
Filtering	
Filtering	1024 MAC Addresses
Frame Specifications	
Buffer	1000 Kbits frame buffer memory
Size	Maximum frame size of 10,240 bytes -- Gigabit Maximum frame size of 2048 bytes -- Fast Ethernet
Environmental Specifications	

Operating Temperature	-40 C to 75 C (-40 F to 167 F)
Storage Temperature	-40 C to 85 C (-40 F to 185 F)
Operating Humidity	5% to 90% non-condensing
Storage Humidity	5% to 95% non-condensing
Operating Altitude	Up to 3,048 meters (10,000 feet)
Heat Output (BTU/HR)	7.2 BTU
MTBF (Hours)	576,450 Calculation model based on MIL-HDBK-217-FN2 @ 30 °C
Chassis	Metal with an IP20 ingress protection rating
Mounting	
Din Rail Kit	Optional
Rack Mount Kit	Optional
Product Weight and Dimensions	
Weight	0.3 kg, 0.7 lbs
Dimensions	120 x 80 x 26 mm, 4.7 x 3.1 x 1.0 inches
Packaging	
Shipping Weight	0.43 kg, 1.0 lbs
Shipping Dimensions	150 x 210 x 40 mm, 5.9 x 8.3 x 1.6 inches
Regulatory Approvals	
	FCC Part 15 Class A, EN55022 Class A
	CISPR 22 Class A CISPR 32:2015/EN 55032:2015 (Class A) CISPR 24:2010/EN 55024:2010
Emissions	EN61000-3-2
Immunity	EN55024

UL/EN/IEC 62368-1
CAN/CSA C22.2 No. 62368-1

UL 60950-1
IEC 60950-1(ed 2); am1, am2
EN 60950-1:2006+A11:2009+A1:2010+A12:2011+A2:2013

Electrical Safety CE

Environmental Reach, RoHS and WEEE Compliant

ECCN: 5A991

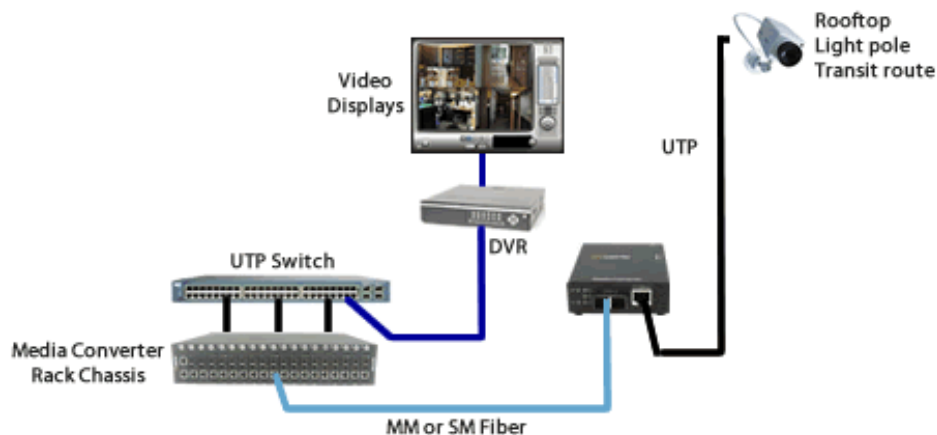
HTSUS Number: 8517.62.0020

Other Perle Limited Lifetime Warranty

Connect 10/100/1000 IP Cameras to Fast Ethernet or Gigabit Backbone

Extend the reach to IP cameras using industrial fiber media converters. Security cameras are typically installed in remote locations where extremely high or low temperatures are a concern -- ceilings, rooftops, light poles, along fences, pipelines and transit routes.

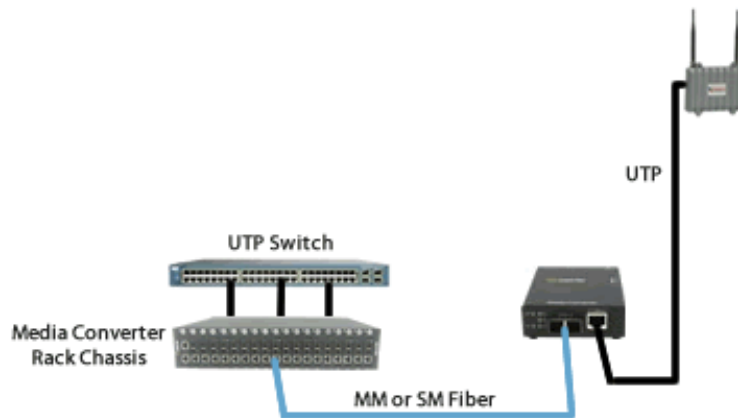
Stand-alone Extended Temperature Media Converters are placed at the remote end connecting cameras with copper interfaces to fiber optic cabling. The fiber can extend the distance up to 20 kilometers using single mode or multimode fiber back to a control center. A media converter chassis located in the data closet at the control center accepts the fiber signal, converts it, and connects to the copper equipment at the main site.



Connect 10/100/1000 Wireless Access Points to Fast Ethernet or Gigabit Backbone

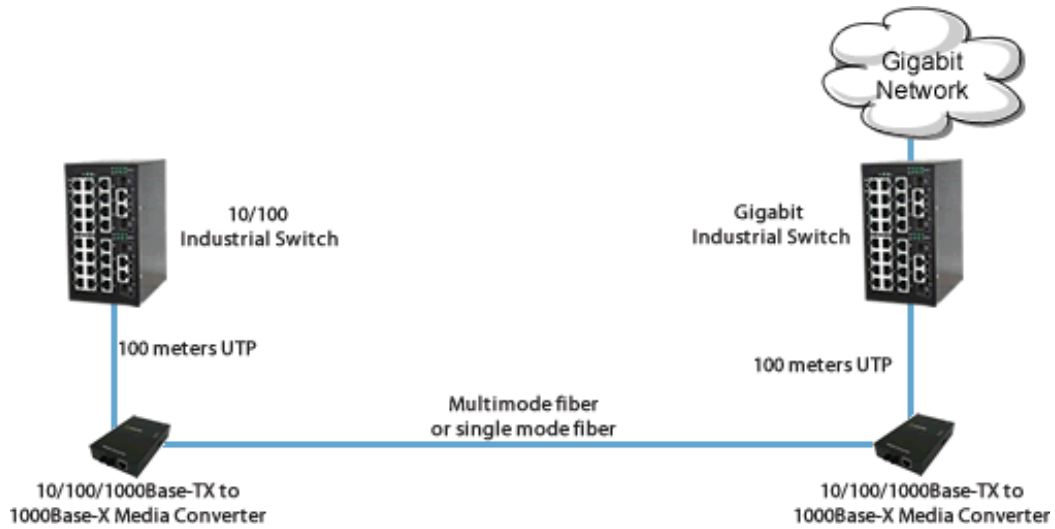
Extend the reach to wireless access points (AP) using fiber media converters. When a company deploys a wireless network in their office or large warehouse, APs need to be set up throughout the facility to ensure complete coverage for reliability. The network manager will likely need to extend further than the 100 meters allowed by copper cable to reach many of the APs.

When AP's are used in industrial environments where extremely high or low temperatures are a concern, Stand-alone Extended Temperature Media Converters are placed at the remote end connecting APs with copper interfaces to fiber optic cabling. The fiber can extend the distance up to 20 kilometers using single mode or multimode fiber back to a control center. A media converter chassis located in the data closet at the control center accepts the fiber signal, converts it, and connects to the copper equipment at the main site.



Bridge 10/100 devices to Gigabit Backbone

Industrial switches are often used in environments where extremely high or low temperatures are a concern. Devices in an industrial environment can be connected to a Gigabit backbone through the use of rate converting Industrial Temperature Media Converters.



Copyright © 1996 - 2021 Perle. All Rights Reserved