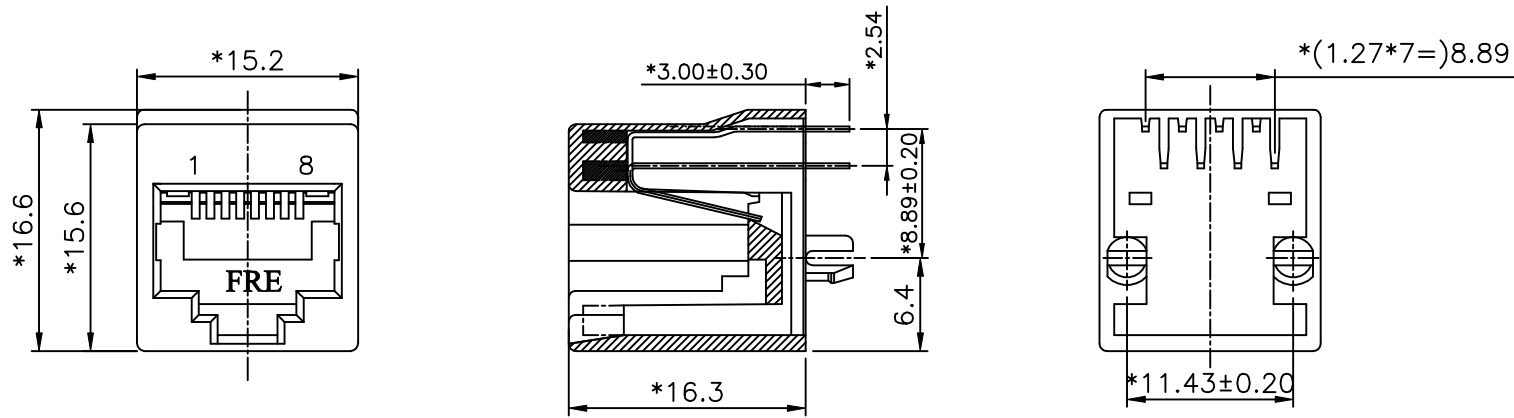


| REVISION RECORD | | | | |
|-----------------|-----|----------------|-------------------|------|
| REV | ECO | DESCRIPTION | DRFT | CHKD |
| △ | | MODIFY DRAWING | ANKUE 12/14/05 | |



NOTES:

ELECTRICAL:

1. VOLTAGE RATING: 125 VAC RMS .
2. CURRENT RATING: 1.5 AMP .
3. CONTACT RESISTANCE: 30 MILLIOHMS MAX.
4. INSULATION RESISTANCE: 1000 MEGOHMS MIN @ 500 VDC.
5. DIELECTRIC STRENGTH: 1000 VAC RMS 60Hz, 1MIN.

MECHANICAL:

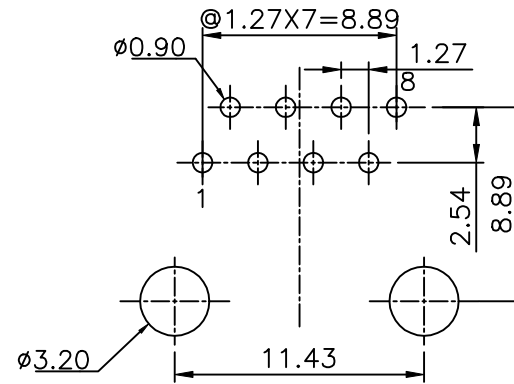
1. HOUSING MATERIAL: FR52 UL94V-0.
HOUSING COLOR: BLACK
2. CONTACT MATERIAL: PHOSPHOR BRONZ t=0.35mm.
3. PLATING: GOLD PLATING OVER NICKEL.
4. OPERATING LIFE: 750 CYCLES MIN.
5. PCB RETENTION PRE-SOLDER: 1 LB MIN.
6. PCB RETENTION POST-SOLDER: 10 LBS MIN.

ENVIRONMENTAL:

1. STORAGE: -40°C TO +85°C.
 - △ 2. OPERATION: -40°C TO +85°C.
 - △ 3. WAVE SOLDER TEMPERATURE: 255-265°C.(5~10 SECONDS)
- MATES WITH MODULAR PLUG CONFORMING TO
FCC PART 68, SUBPART F.

△ RoHS PART NUMBER: E5288-YX0BQX-L

N--W/ FRE LOGO 1--3U" 2--6U" 3--15U"
P--W/0 LOGO 4--30U" 5--50U"



PC Board Layout
Component Side Shown

| | | | | | |
|------------------------|----------------------------|----------------------|-------------------------|-------------------------------|-----|
| DETACHED LISTS | MM (INCH) | DFTO ANKUE | DATE 08/31/05 | FULL RISE ELECTRONIC CO., LTD | |
| | TOLERANCES EXCEPT AS NOTED | CHKD JAMYIN | DATE 2005/12/14 | | |
| | MM | MFO | DATE | TITLE TOP ENTRY PCB JACK | |
| | .0 ±0.20 | APPVLLUSHENG | DATE 2005/12/14 | | |
| .00 ±0.15 | MATERIAL : | QT'Y : | DRAWING NO. GE523048-LA | SIZE | REV |
| .000 ±0.075 | ANGLES ± | FINISH : | /PART NO. SEE NOTE | A3 | 1 |
| THIRD ANGLE PROJECTION | SCALE : | DO NOT SCALE DRAWING | SHEET X | OF Y | |