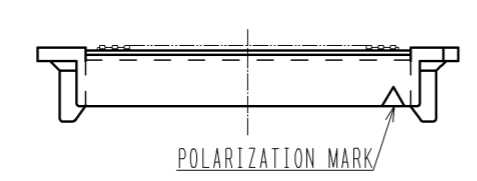
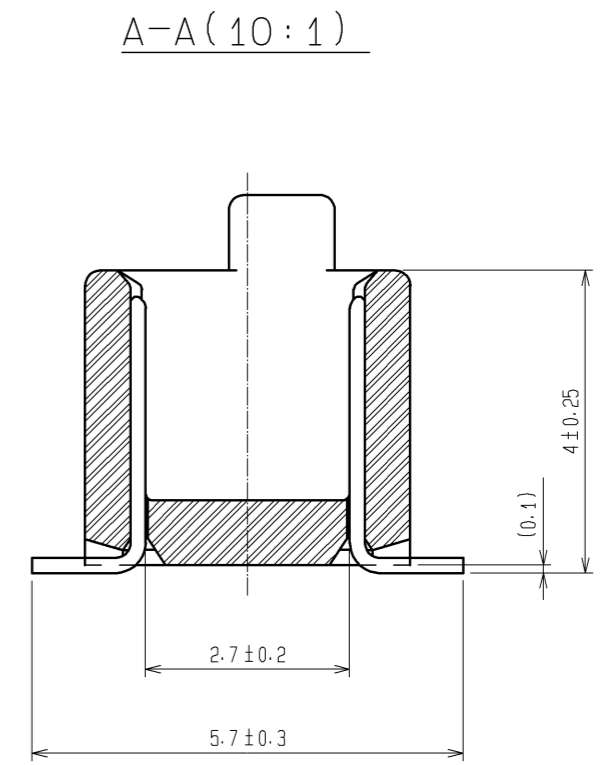
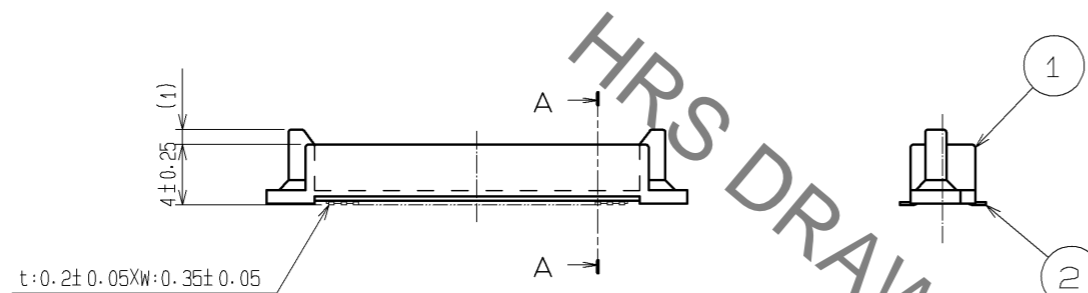
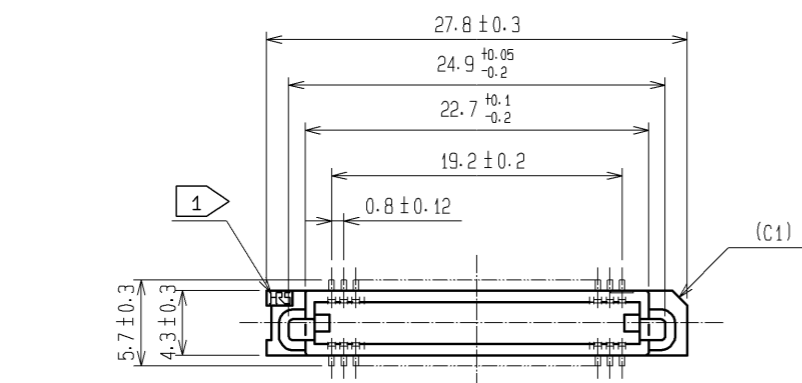
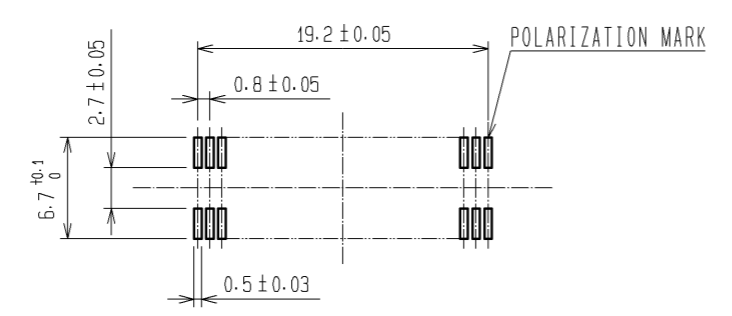


May.1.2023 Copyright 2023 HIROSE ELECTRIC CO., LTD. All Rights Reserved.  
In case of consideration for using Automotive equipment / device which demand high reliability, kindly contact our sales window correspondents.



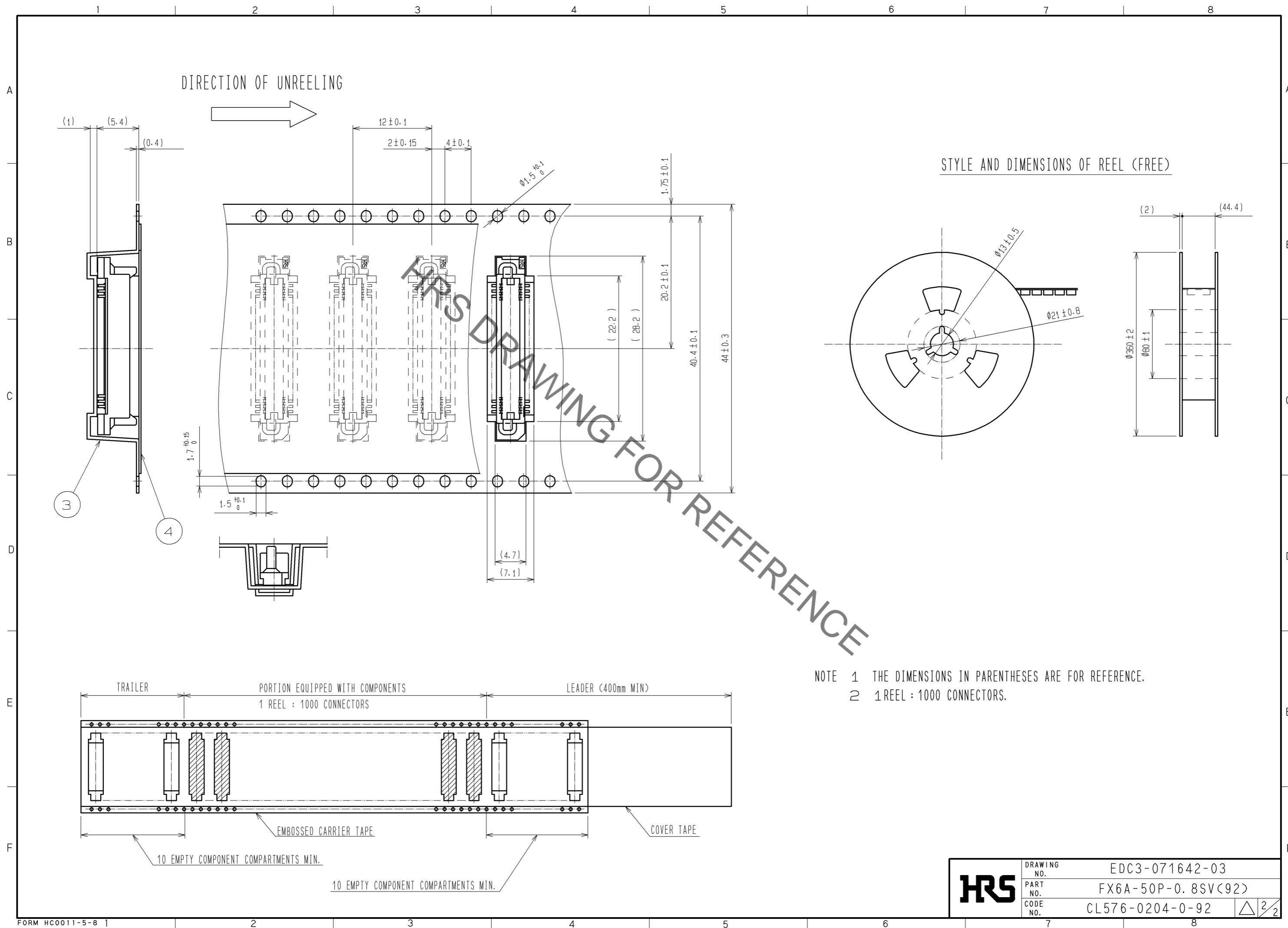
- NOTES
1. HRS MARK SHOULD BE OPTIONAL.
  2. LEAD CO-PLANARITY SHALL BE 0.1mm MAX.
  3. THE DIMENSIONS IN PARENTHESES ARE FOR REFERENCE.
  4. EMBOSSED CARRIER TAPE PACKAGING SHALL BE APPLIED FOR THIS PRODUCT.
  5. FOR MODIFICATION, ETC., PREVENTIVE HOLE FOR SINK MARK MAY BE ADDED ACCORDING TO CIRCUMSTANCES.

RECOMMENDED P. C. B. LAND PATTERN (MOUNTING SIDE)  
(RECOMMENDED METAL MASK THICKNESS: 0.15mm)



1	PPS	LIGHT BROWN UL94V-0	4	POLYESTER	COVER TAPE
			3	POLYSTYRENE	EMBOSSED CARRIER TAPE
			2	PHOSPHOR BRONZE	CONTACT AREA : GOLD 0.1 μm min. LEAD AREA : GOLD FLASH UNDER PLATING : NICKEL 1.5 μm min.
NO.	MATERIAL	FINISH . REMARKS	NO.	MATERIAL	FINISH . REMARKS
UNITS mm		SCALE 2 : 1	COUNT 	DESCRIPTION OF REVISIONS	
<b>HRS</b> HIROSE ELECTRIC CO., LTD.		APPROVED : HS. OKAWA 14.12.08	DESIGNED	CHECKED	DATE
		CHECKED : HT. YAMAGUCHI 14.12.08	DRAWING NO. EDC3-071642-03		
		DESIGNED : KJ. NISHIWAKI 14.12.08	PART NO. FX6A-50P-0.8SV(92)		
		DRAWN : KN. YAMAZAKI 14.12.05	CODE NO. CL576-0204-0-92		
			1/2		

May.1.2023 Copyright 2023 HIROSE ELECTRIC CO., LTD. All Rights Reserved.  
 In case of consideration for using Automotive equipment / device which demand high reliability, kindly contact our sales window correspondents.



<b>HRS</b>	DRAWING NO.	EDC3-071642-03
	PART NO.	FX6A-50P-0.8SV(92)
	CODE NO.	CL576-0204-0-92
		△ 2/2