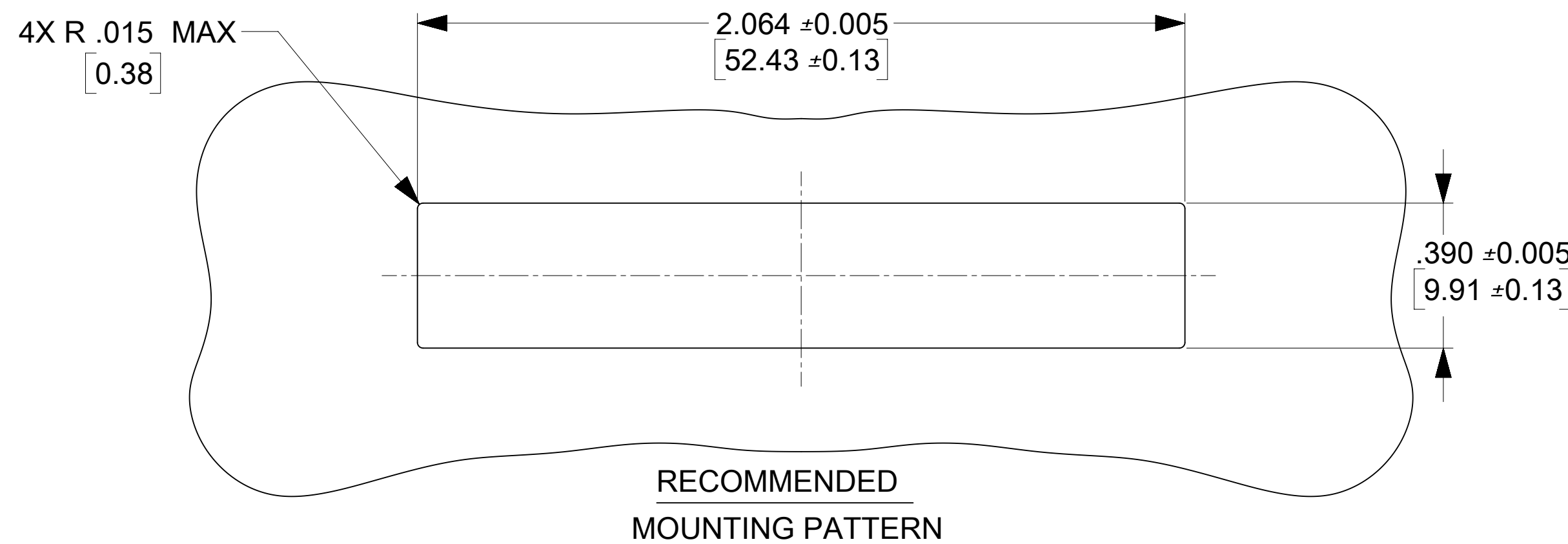
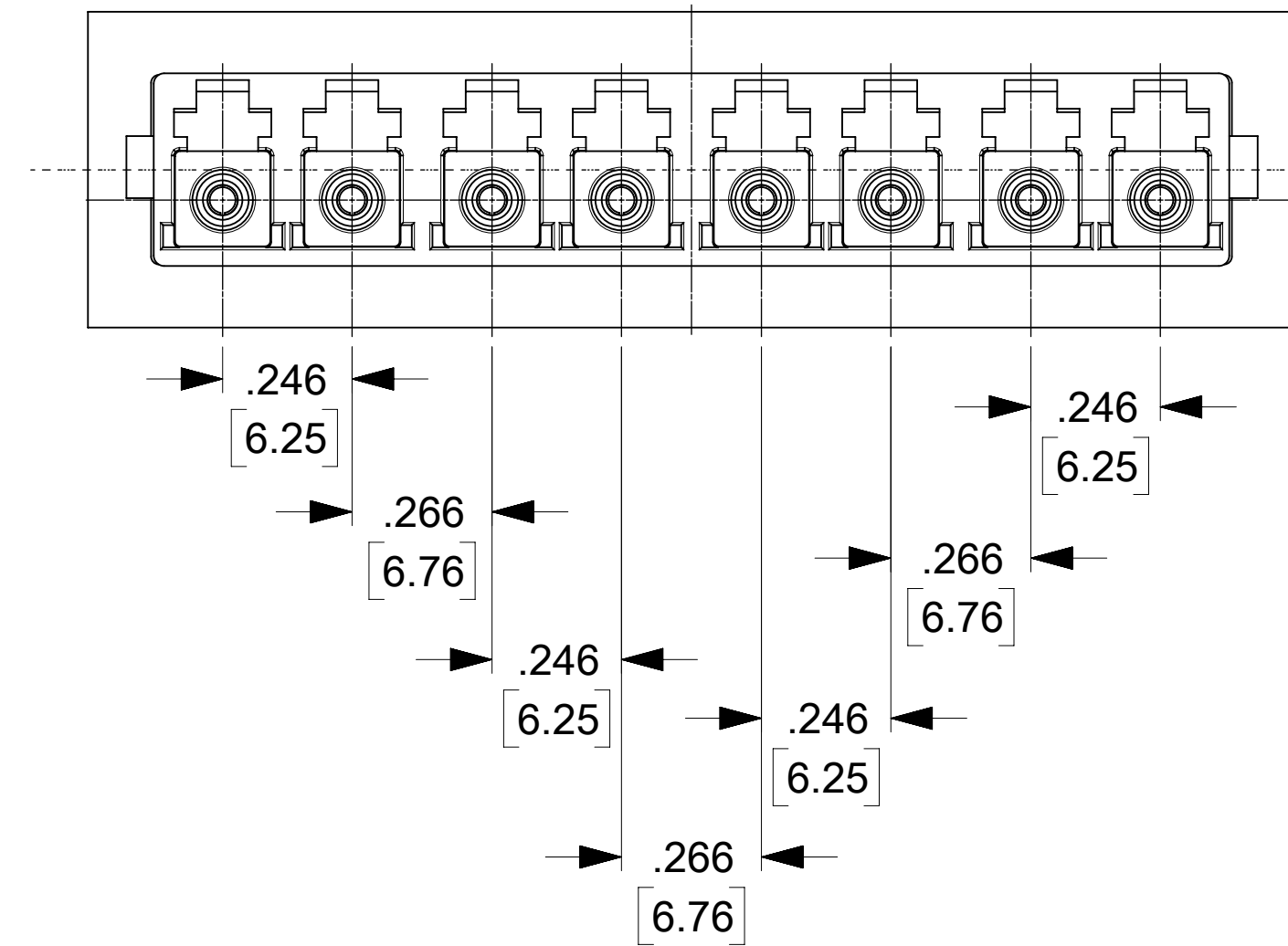
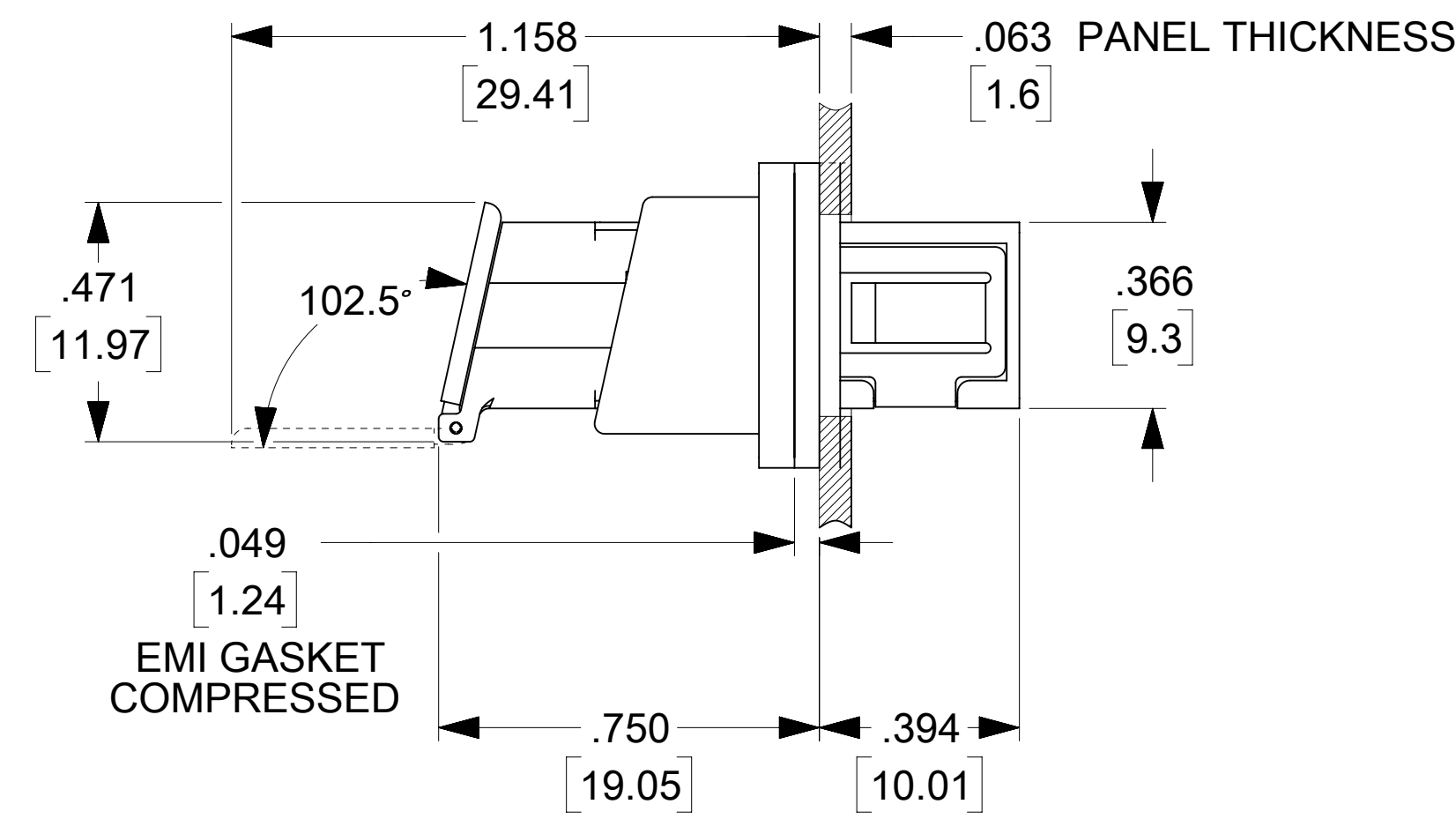
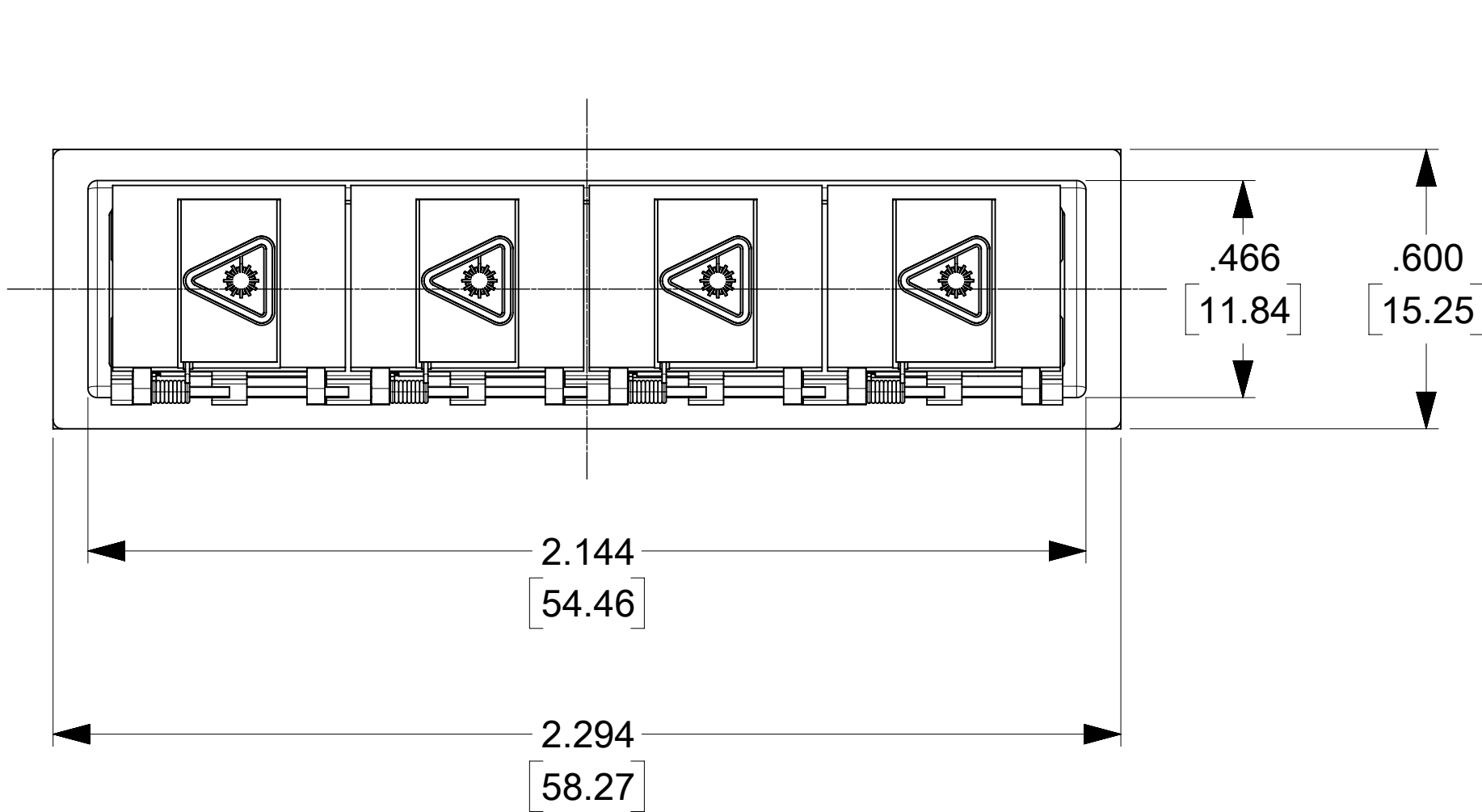
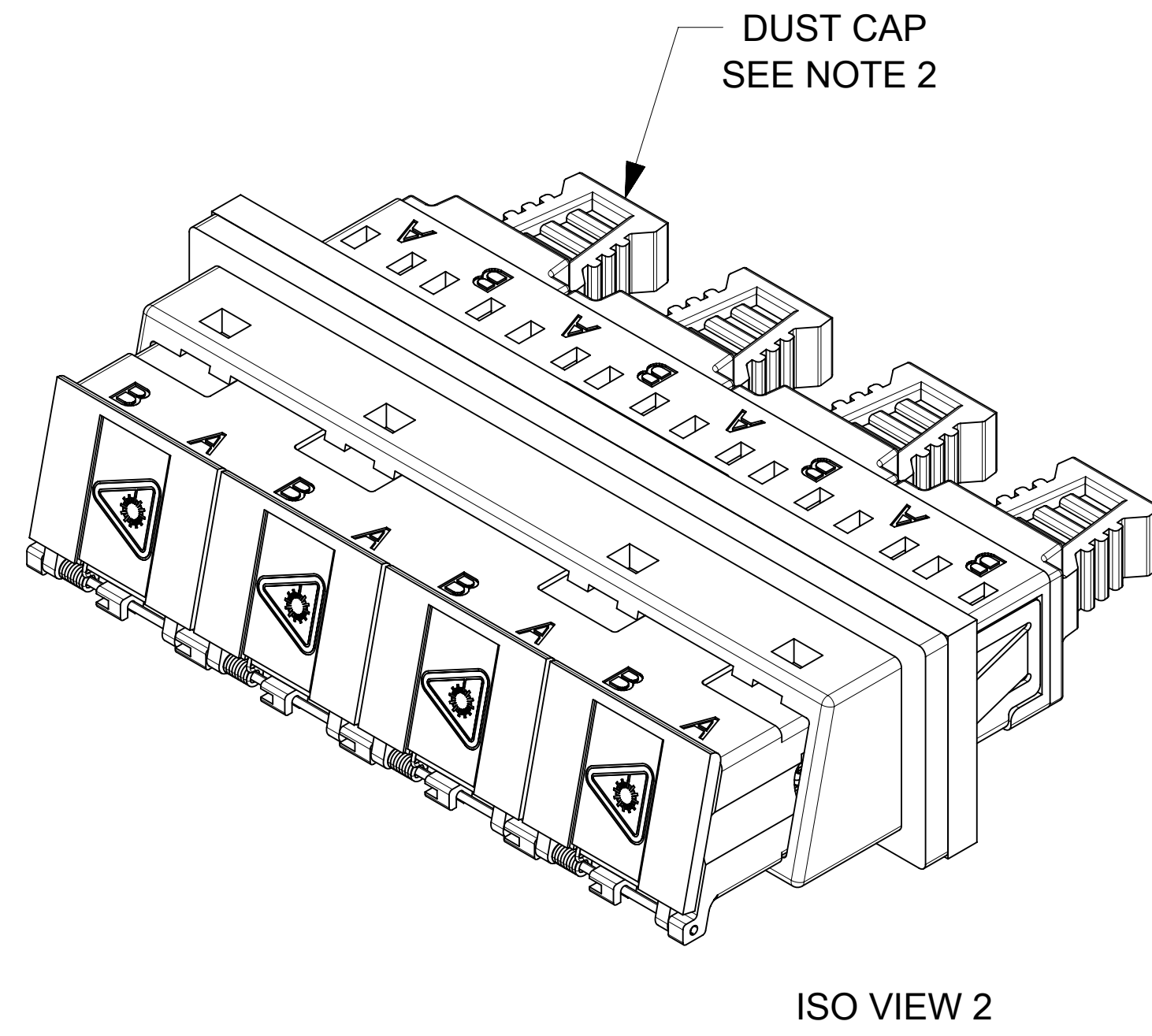
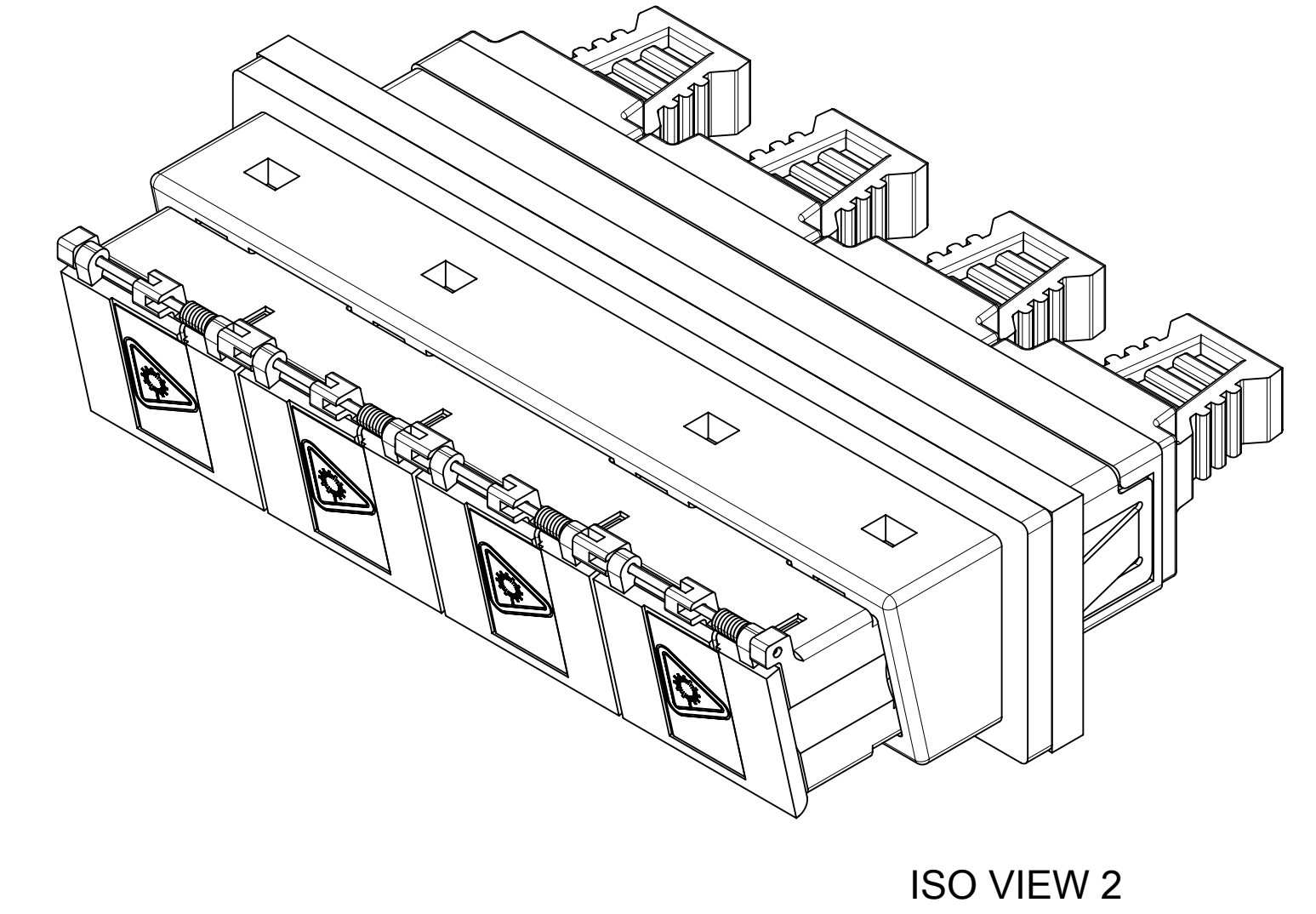
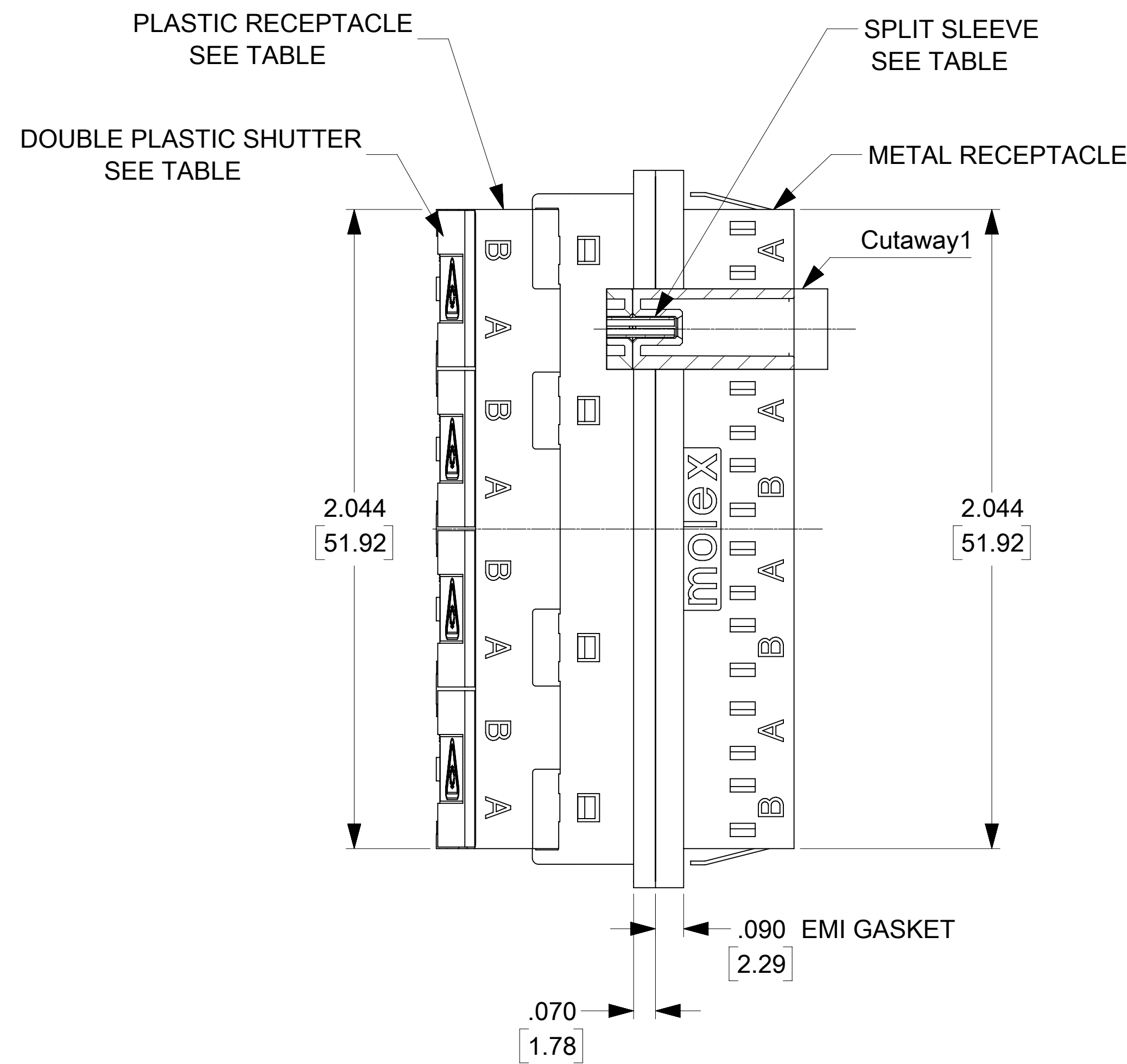


LC 8 PORT ADAPTER P/N	PLASTIC RECEPTACLE COLOR	DOUBLE PLASTIC SHUTTER COLOR	SPLIT SLEEVE MATERIAL
106121-0950	BLUE	BLUE	CERAMIC
106121-0952	BEIGE	BEIGE	PHOSPHOR BRONZE
106121-0953	AQUA	AQUA	



NOTES;

1. ALL DIMENSIONS ARE FOR REFERENCE.
2. DUST CAPS SHOWN IN ISOMETRIC VIEWS ONLY.

THIS DRAWING CONTAINS INFORMATION THAT IS PROPRIETARY TO MOLEX ELECTRONIC TECHNOLOGIES, LLC AND SHOULD NOT BE USED WITHOUT WRITTEN PERMISSION			
DIMENSION UNITS	SCALE	CURRENT REV DESC:	
IN/MM	3:1		
GENERAL TOLERANCES (UNLESS SPECIFIED)			
	MM	INCH	
4 PLACES	±	±	EC NO: 624787
3 PLACES	±	±	DRWN: VLOKESHA 2019/06/13
2 PLACES	±	±	CHK'D: GGA 2019/11/11
1 PLACE	±	±	APPR: WCHEN 2019/11/11
0 PLACES	±	±	INITIAL REVISION:
ANGULAR TOL	±	°	DRWN: YBELENIY 2011/10/05
			APPR: WCHEN 2012/02/06
DRAFT WHERE APPLICABLE MUST REMAIN WITHIN DIMENSIONS		THIRD ANGLE PROJECTION	DRAWING SERIES
			D-SIZE 106121
DOCUMENT NUMBER		MATERIAL NUMBER	CUSTOMER
SD-106121-0950		SEE TABLE	GENERAL MARKET
DOC TYPE	DOC PART	REVISION	SHEET NUMBER
PSD	001	A1	1 OF 1