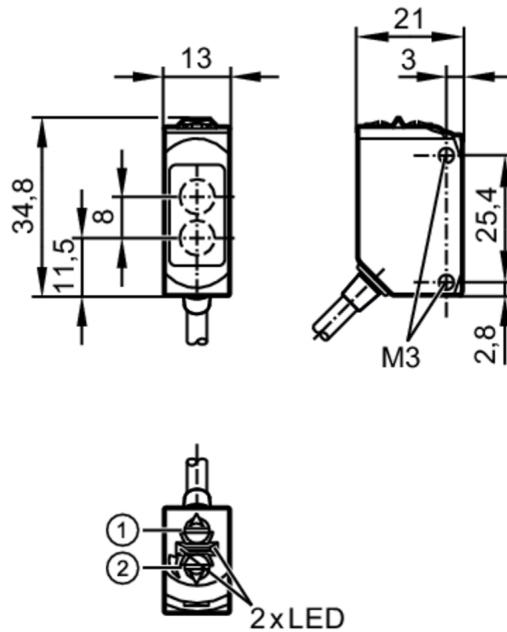


# O6T305



## Diffuse reflection sensor

O6T-FNKG/0,30m/US



- 1 output function switch
- 1 potentiometer sensitivity
- receiver in upper lens
- transmitter in lower lens



### Product characteristics

Type of light	red light
Housing	rectangular

### Application

Function principle	Diffuse reflection sensor
--------------------	---------------------------

### Electrical data

Operating voltage	[V]	10...30 DC
Current consumption	[mA]	16; ((24 V))
Protection class		III
Reverse polarity protection		yes
Type of light		red light
Wave length	[nm]	633

### Outputs

Electrical design		NPN
Output function		light-on/dark-on mode; (selectable)
Max. voltage drop switching output DC	[V]	2.5
Permanent current rating of switching output DC	[mA]	100
Switching frequency DC	[Hz]	1000
Short-circuit protection		yes
Type of short-circuit protection		pulsed

# O6T305



## Diffuse reflection sensor

O6T-FNKG/0,30m/US

Detection zone	
Range [mm]	5...500; (white paper 200 x 200 mm 90% remission)
Range adjustable	yes
Max. light spot diameter [mm]	15
Light spot dimensions refer to	at maximum range
Monitoring range final value [mm]	100...500

Operating conditions	
Ambient temperature [°C]	-25...80
Protection	IP 65; IP 67; IP 68; IP 69K

Tests / approvals	
EMC	EN 60947-5-2
MTTF [years]	910
UL approval	UL Approval no. E006

Mechanical data	
Weight [g]	51.2
Housing	rectangular
Materials	housing: stainless steel (1.4404 / 316L); plastics: PPSU; Sealing: EPDM
Lens material	PMMA
Lens alignment	side lens
Tightening torque [Nm]	1; (screws)

Displays / operating elements		
Display	switching status	1 x LED, yellow
	operation	1 x LED, green

Remarks	
Remarks	operating voltage "supply class 2" according to cULus
Pack quantity	1 pcs.

### Electrical connection

Cable: 0.3 m, PVC; 3 x 0.25 mm<sup>2</sup>

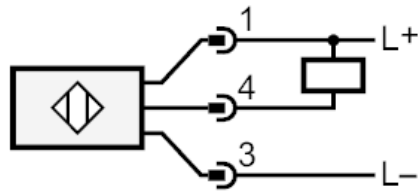
Connector: 1 x M12; coding: A



## Diffuse reflection sensor

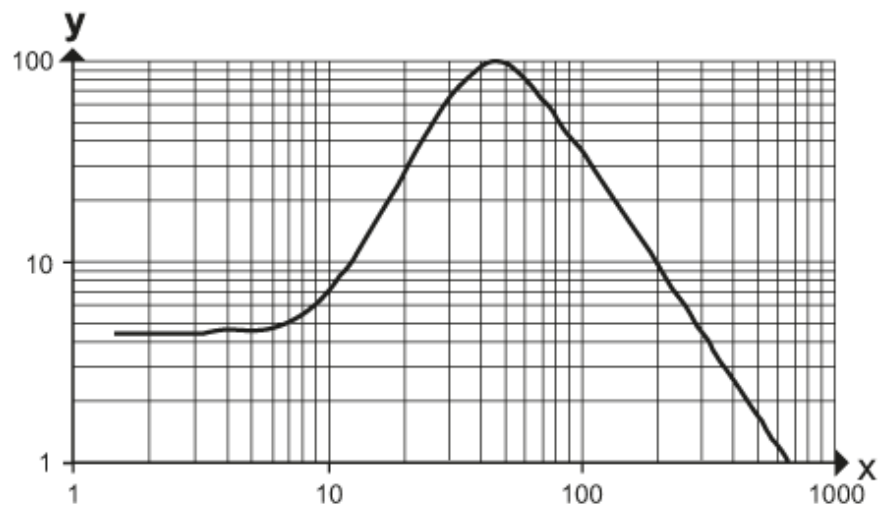
O6T-FNKG/0,30m/US

### Connection



### Diagrams and graphs

excess gain graph



x: distance [mm]

y: excess gain factor