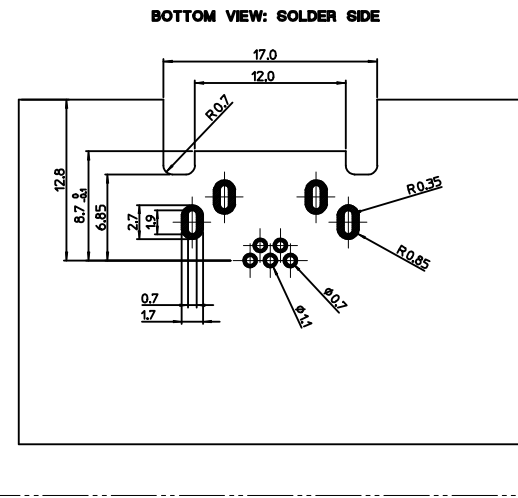
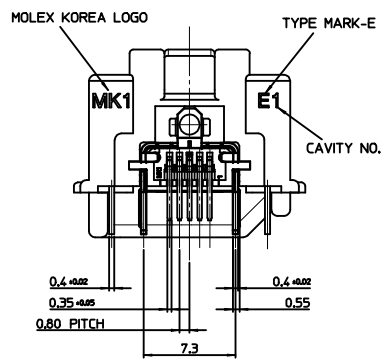
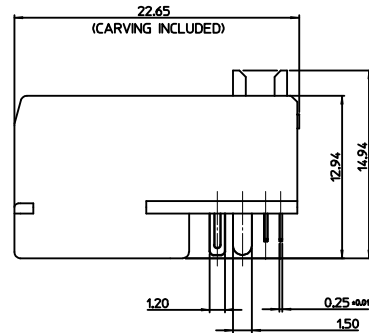
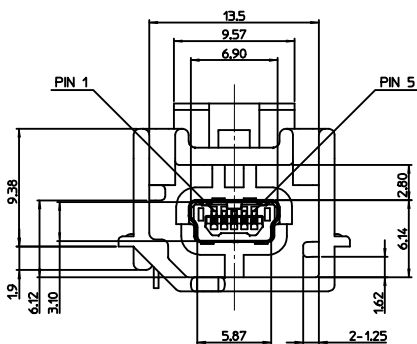
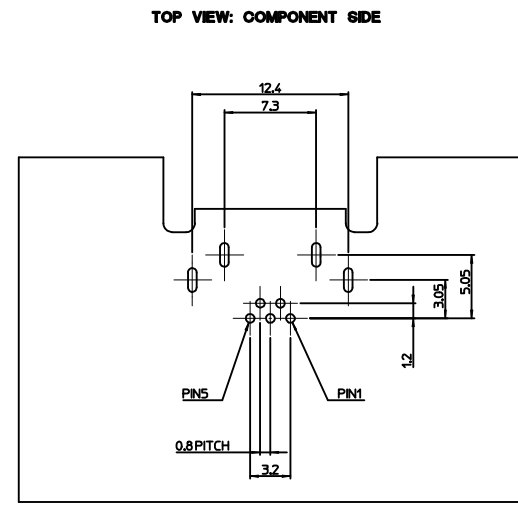
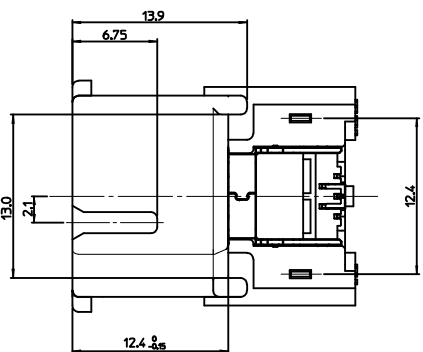


SECTION Z-Z



- NOTES**
- MATES WITH :
(MOLEX SERIES NO. : 111014, 111015, 111005, 111041, 111019, 111020)
 - SHROUD GEOMETRY AND ASSEMBLY WITH USB MINI-B CONNECTOR ARE ACCORDING TO USCAR STD 999-U-USB-Z01
 - FINISHES
 - TERMINAL :
CONTACT AREA : GOLD 0.75μm MIN.
SOLDER TAIL AREA : TIN 3.84μm MIN.
UNDER PLATING : NI 1.25μm MIN.
 - SHIELD CASE :
3.04μm MIN. TIN OVER NI 1.04μm MIN.
 - FITTING NAIL :
3.04μm MIN. TIN OVER NI 1.04μm MIN.
 - UNLESS OTHERWISE SPECIFIED, TYPICAL RECOMMENDED PCB MANUFACTURING TOLERANCE IS ±0.05
 - PCB THICKNESS : 1.6mm(REFERENCE)



<PART LIST>

NO.	PART NAME	MATERIALS
①	SHROUD	SPS, GLASS FILLED, UL94 HB
②	REC. HOUSING	LCP, GLASS FILLED, UL94 V-0
③	TERMINAL	COPPER ALLOY
④	SHIELD CASE	PHOSPHOR BRONZE
⑤	FITTING NAIL	BRASS

RECOMMENDED PCB LAYOUT

<TABLE 1>

MATERIAL NO.	ORDER NO.	COLOR	PACKING
1040870124	104087-0124	BLUE	TRAY

RELEASED E/C NO: K1R2015-0009 DRAWN BY: YIBAEC CHKD: YJCHOI APPR: YJCHOI DATE: 2014/08/27 DATE: 2014/09/04	QUALITY SYMBOLS ▽=0 ▽=0	GENERAL TOLERANCES (UNLESS SPECIFIED) mm INCH 4 PLACES ± --- ± --- 3 PLACES ± --- ± --- 2 PLACES ± 0.15 ± --- 1 PLACE ± 0.25 ± --- ANGULAR ± 3°	DIMENSION STYLE MM ONLY	SCALE DESIGN UNITS METRIC	TITLE HSAUTOLINK R/A HEADER-E FOR HMI MODULE (SOLDER TAIL=2.2MM)	THIRD ANGLE PROJECTION
	DRAWN BY YIBAEC DATE 2014/08/27	CHECKED BY DATE	APPROVED BY YJCHOI DATE 2014/09/04	MATERIAL NO. MOLEX INCORPORATED	DOCUMENT NO. SD-104087-015	SHEET NO. 1 OF 1
	DRAFT WHERE APPLICABLE MUST REMAIN WITHIN DIMENSIONS		SEE TABLE 1	THIS DRAWING CONTAINS INFORMATION THAT IS PROPRIETARY TO MOLEX INCORPORATED AND SHOULD NOT BE USED WITHOUT WRITTEN PERMISSION		
	SIZE 1					