

***THS1206, THS12082,  
THS10064, THS10082***  
***Evaluation Module***

*User's Guide*

# Read This First

---

---

---

---

### ***About This Manual***

This user's guide serves as a reference book for the THS1206/THS12082/THS10064/THS10082 evaluation module. It describes the operation and usage of the 12-bit THS1206/THS12082 and 10-bit THS10064/THS10082 analog-to-digital converter (ADC) evaluation modules.

### ***How to Use This Manual***

This document contains the following chapters:

- Chapter 1 EVM Description
- Chapter 2 Common-Connector Interface
- Chapter 3 Physical Description
- Chapter 4 Schematics

### ***Information About Cautions and Warnings***

This book contains cautions.

**This is an example of a caution statement.**

**A caution statement describes a situation that could potentially damage your software or equipment.**

The information in a caution is provided for your protection. Please read each caution carefully.

## ***Related Documentation From Texas Instruments***

### **Data Sheets:**

**THS1206** data sheet (literature number SLAS217B) contains electrical specifications, available temperature options, general overview of the device, and application information.

**THS12082** data sheet (literature number SLAS216) contains electrical specifications, available temperature options, general overview of the device, and application information.

**THS10064** data sheet (literature number SLAS255) contains electrical specifications, available temperature options, general overview of the device, and application information.

**THS10082** data sheet (literature number SLAS254) contains electrical specifications, available temperature options, general overview of the device, and application information.

# Contents

---

---

---

<b>1</b>	<b>EVM Description</b>	<b>1-1</b>
1.1	Purpose	1-2
1.2	Power Supply Requirements	1-2
1.3	EVM Basic Function	1-2
1.4	EVM Setup	1-3
<b>2</b>	<b>Common-Connector Interface</b>	<b>2-1</b>
2.1	Daughtercard Interface	2-2
<b>3</b>	<b>Physical Description</b>	<b>3-1</b>
3.1	Printed-Circuit Board	3-2
3.2	Bill of Materials	3-5
<b>4</b>	<b>Schematics</b>	<b>4-1</b>

# Figures

---

---

---

3-1	Silkscreen (Top) .....	3-2
3-2	Silkscreen (Bottom) .....	3-2
3-3	Printed-Circuit Board Layer 1 .....	3-3
3-4	Printed-Circuit Board Layer 2 .....	3-3
3-5	Printed-Circuit Board Layer 3 .....	3-4
3-6	Printed-Circuit Board Layer 4 .....	3-4

# Tables

---

---

---

2-1	Jumper J6, Expansion Peripheral Interface Pinout .....	2-3
2-2	Jumper J7, Expansion Peripheral Interface Pinout .....	2-4
3-1	Bill of Materials .....	3-5

# **EVM Description**

---

---

---

---

This chapter gives a general description and overview of the THS1206/THS12082/THS10064/THS10082 evaluation module (EVM), and describes the requirements for using this module.

<b>Topic</b>	<b>Page</b>
<b>1.1 Purpose</b> .....	<b>1-2</b>
<b>1.2 Power Supply Requirements</b> .....	<b>1-2</b>
<b>1.3 EVM Basic Function</b> .....	<b>1-2</b>
<b>1.4 EVM Setup</b> .....	<b>1-3</b>

## 1.1 Purpose

The evaluation module provides a platform for lab prototype evaluation of the Texas Instruments 12-bit THS1206/THS12082 and the 10-bit THS10064/THS10082 high-speed analog-to-digital converters. In addition, it provides the interface to Texas Instruments digital signal processor kits or evaluation modules, which provide the *common-connector* interface (C6201, C6701, C6211, C5402).

## 1.2 Power Supply Requirements

- ❑ The EVM is designed to be powered by a lab dc power supply (red and black inputs  $V_{DD}$  and AGND). The required supply voltage range is from 6 V to 10 V. It can also be powered by a DSP starter kit or evaluation module, which features the *common-connector* interface. The selection is done with jumpers J1 and J2.



## 1.3 EVM Basic Function

The EVM allows evaluation of the THS1206, THS12082, THS10064, and THS10082 analog-to-digital converters. Typically, a processor is used for evaluating these devices. The EVM is specifically designed for interfacing to the DSP starter kits or evaluation modules, which feature the common-connector interface (C6201, C6701, C6211, C5402).

The different operation modes for the analog input configuration of the THS1206, THS12082, THS10064, and THS10082 are available on the evaluation module. Any channel selection can be done according to the data sheet of each device.

- ❑ **Single-ended analog input**  
The THS1206/THS10064 (THS12082/THS10082) provide up to four (two) single-ended analog input channels. These four (two) single-ended inputs are provided on the EVM via the four BNC connectors, which are labeled AINP, AINM, BINP, and BINM. BNC connectors AINP and AINM do not have any function with the THS12082 and THS10082, which only feature two single-ended analog input channels. The analog input voltage range is from  $-1$  V to 1 V. The analog input is level-shifted into the analog input range of the analog-to-digital converter (1.5 V to 3.5 V) by using an operational amplifier in an inverting configuration. The voltage used for the level shift is generated by the REFOUT (2.5 V) of the analog-to-digital converter. A resistor divider provides the 1.25 V from the 2.5-V output voltage. The analog input signal is dc-coupled.

**Differential analog input**

The THS1206/THS10064 (THS12082/THS10082) provide up to two (one) differential analog input channels to the analog-to-digital converter. These two (one) differential inputs are provided on the EVM via the two BNC connectors, which are labeled ADIFF and BDIFF. The BNC connector ADIFF does not have any function with the THS12082 and THS10082, which only feature one differential analog input channel. The analog input voltage range is from  $-2\text{ V}$  to  $2\text{ V}$ . To use the differential mode, a single ended signal is applied to ADIFF or BDIFF. This signal is converted into a differential signal by a transformer, and is therefore ac-coupled. The center tap of the transformer is connected to the common mode output voltage REFOUT of the analog-to-digital converter. As a result, the input signal is shifted to the common-mode voltage REFOUT.

**Clock circuit**

An external clock with frequency up to 6 MHz (8 MHz for the THS10082 and THS12082) is required for operation of the analog-to-digital converter in the continuous-conversion mode. The external clock source is required to drive the 50- $\Omega$  BNC input EXT-CLK. The clock signal can also be generated from the connected processor. J7 should be set to the appropriate position.

**Digital output**

The digital output of the analog-to-digital converter is applied to connector block J9 and is also connected to the data bus of the *common connector* interface. No latch is used between the analog-to-digital converter and J9. The analog-to-digital converter is able to drive up to 30 pF at the data bus D0–D11 (D0–D9 for the THS10064 and THS10082).

## 1.4 EVM Setup

The EVM provides a platform for lab-prototype evaluation. Typically, it is operated by using a Texas Instruments DSP kit or evaluation module.

**J1:** selection of the analog supply voltage:

**J1 inserted between 1 and 2:** the supply voltage (5 V) is taken from the DSP starter kit or evaluation module with the *common-connector* interface. No external analog supply voltage is required in this configuration.

**J1 inserted between 2 and 3:** for use of an external dc power supply (6 V to 10 V). The supply voltage, ranging from 6 V to 10 V, is regulated to 5 V by using the Texas Instruments low-dropout regulator TPS7250.

**J2:** selection of the digital supply voltage:

**J2 inserted between 1 and 2:** the supply voltage (3.3 V) is taken from the DSP starter kit or evaluation module with the *common-connector* interface. No external digital supply voltage is required in this configuration.

**J2 inserted between 2 and 3:** for use of an external dc power supply (6 V to 10 V). The supply voltage, ranging from 6 V to 10 V, is regulated to 3.3 V by using the Texas Instruments low-dropout regulator TPS7233.



- J3:** selection of the analog input configuration:
  - J3 inserted between 1 and 4:** selection of the differential input ADIFF (in combination with J4 set between 1 and 4)
  - J3 inserted between 2 and 5:** selection of the single ended input AINP
  - J3 inserted between 3 and 6:** required for the THS12082 and THS10082, where pin 31 (input AINP of the THS1206) functions as an internal FIFO overflow indicator (OV\_FL). This pin can be monitored during data converter software debugging.
  
- J4:** selection of the analog input configuration:
  - J4 inserted between 1 and 4:** selection of the differential input ADIFF (in combination with J3 set between 1 and 4)
  - J4 inserted between 2 and 5:** selection of the single ended input AINM
  - J4 inserted between 3 and 6:** required for the THS12082 and THS10082, where the input AINM of the THS1206 functions as RESET input. Pin 3 of J4 is connected to the RESET signal of the common-connector interface.
  
- J5:** selection of the analog input configuration;
  - J5 inserted between 1 and 2:** selection of the single ended input BINP
  - J5 inserted between 2 and 3:** selection of the differential input BDIFF (in combination with J6 set between 2 and 3)
  
- J6:** selection of the analog input configuration:
  - J6 inserted between 1 and 2:** selection of the single ended input BINM
  - J6 inserted between 2 and 3:** selection of the differential input BDIFF (in combination with J5 set between 2 and 3)
  
- J7:** selection of the clock source:
  - J7 inserted between 1 and 2:** the clock input of the data converter is connected to the common connector interface. In this case, the DSP should generate the clock signal.
  - J7 inserted between 2 and 3:** the clock signal should be applied to the BNC connector EXT\_CLK in this configuration.
  
- J8:** J8 is a connector block where the following digital signals can be monitored:

Pin	Description	Pin	Description
Pin 1	GND	Pin 6	WR/
Pin 2	CLK	Pin 7	GND
Pin 3	GND	Pin 8	OV_FL
Pin 4	DATA_AV	Pin 9	GND
Pin 5	GND	Pin 10	RESET

- J9:** J9 is a connector block where the following digital signals can be monitored:

Pin	Description	Pin	Description
Pin 1	NC	Pin 21	D3
Pin 2	GND	Pin 22	GND
Pin 3	CS0	Pin 23	D4
Pin 4	GND	Pin 24	GND
Pin 5	NC	Pin 25	D5
Pin 6	GND	Pin 26	GND
Pin 7	DATA_AV	Pin 27	D6
Pin 8	GND	Pin 28	GND
Pin 9	CONV_CLK	Pin 29	D7
Pin 10	GND	Pin 30	GND
Pin 11	CS1	Pin 31	D8
Pin 12	GND	Pin 32	GND
Pin 13	RD	Pin 33	D9
Pin 14	GND	Pin 34	GND
Pin 15	D0	Pin 35	D10/RA0
Pin 16	GND	Pin 36	GND
Pin 17	D1	Pin 37	D11/RA1
Pin 18	GND	Pin 38	GND
Pin 19	D2	Pin 39	NC
Pin 20	GND	Pin 40	GND

- J10:** generation of chip select with C5000 DSP  
For an interface of the THS1206/THS12082/THS10064/THS10082 EVM to the C5000 DSP starter kit or EVM, J10 should be inserted while J11 is left open.
- J11:** generation of CS1 with C6000 DSP  
For an interface of the THS1206/THS12082/THS10064/THS10082 EVM to the C6000 DSP starter kit or EVM, J11 should be inserted while J10 is left open.
- J12:** generation of the write signal  
**J12 inserted between 1 and 2:** to interface the THS1206/THS12082/THS10064/THS10082 EVM to the C5000 DSP starter kit or EVM, J12 should be inserted between 1 and 2.  
**J12 inserted between 2 and 3:** to interface the THS1206/THS12082/THS10064/THS10082 EVM to the C6000 DSP starter kit or EVM, J12 should be inserted between 2 and 3.
- J13:** generation of CS0  
**J13 inserted between 1 and 2:** to interface the THS1206/THS12082/THS10064/THS10082 EVM to the C6000 DSP starter kit or EVM, J13 should be inserted between 1 and 2.

**J13 inserted between 2 and 3:** to interface of the THS1206/THS12082/THS10064/THS10082 EVM to the C5000 DSP starter kit or EVM, J13 should be inserted between 2 and 3.

The EVM provides several test points for the analog and digital grounds. These are labeled TPA and TPD respectively. Two test points for AVDD and DVDD are also provided.

# Common-Connector Interface

---

---

---

---

This chapter presents the common-connector interface.

Topic	Page
2.1 Daughtercard Interface .....	2-2

## 2.1 Daughtercard Interface

An interface standard is being defined for daughtercards made to function with TMS320C6000 and TMS320C5000 systems. This interface standard is necessary to allow daughtercards to be used on systems from different vendors, and even across devices and DSP platforms. The 'C6000 daughtercard standard is applicable to all of the 'C6000 interfaces, and a subset applies to the 'C5000 platform. Parallel interfaces that can communicate with the daughtercards are the 32-bit external-memory interface (EMIF), the 32-bit expansion bus, and the 16-bit host-port interface (HPI). The 'C5000 family has a 16-bit EMIF, and 8- and 16-bit HPIs. The specific pinout of the 'C5000 daughtercards is a subset of the 'C6000. The pinouts of the J6 connector are described in Table 2–1, and the J7 connector pinouts are described in Table 2–2. Also see *Chapter 4 – Schematics*.

Table 2–1. Jumper J6, Expansion Peripheral Interface Pinout

J1 Pin	Name	Signal Name C5000	Name	Signal Name C6000 (EMIF)	J1 Pin	Name	Signal Name C5000	Name	Signal Name C6000 (EMIF)
1	+5V	Power Supply	+5V	Power Supply	41	3.3V	Power supply	3.3V	Power Supply
2		NC		NC	42		NC		NC
3	X_A19	Address pin	X_A21	Address pin	43		NC		NC
4	X_A18	Address pin	X_A20	Address pin	44		NC		NC
5		NC		NC	45		NC		NC
6		NC		NC	46		NC		NC
7	X_A15	Address pin	X_A17	Address pin	47		NC		NC
8		NC		NC	48		NC		NC
9		NC		NC	49		NC		NC
10		NC		NC	50		NC		NC
11	GND	Ground	GND	Ground	51		NC		NC
12		NC		NC	52		NC		NC
13		NC		NC	53		NC		NC
14		NC		NC	54		NC		NC
15		NC		NC	55		NC		NC
16		NC		NC	56		NC		NC
17		NC		NC	57	X_D11	Data pin	X_D11	Data pin
18		NC		NC	58	X_D10	Data pin	X_D10	Data pin
19		NC		NC	59	X_D9	Data pin	X_D9	Data pin
20		NC		NC	60	X_D8	Data pin	X_D8	Data pin
21		NC		NC	61		NC		NC
22		NC		NC	62		NC		NC
23		NC		NC	63	X_D7	Data pin	X_D7	Data pin
24		NC		NC	64	X_D6	Data pin	X_D6	Data pin
25		NC		NC	65	X_D5	Data pin	X_D5	Data pin
26		NC		NC	66	X_D4	Data pin	X_D4	Data pin
27		NC		NC	67	X_D3	Data pin	X_D3	Data pin
28		NC		NC	68	X_D2	Data pin	X_D2	Data pin
29		NC		NC	69	X_D1	Data pin	X_D1	Data pin
30		NC		NC	70	X_D0	Data pin	X_D0	Data pin
31		NC		NC	71		NC		NC
32		NC		NC	72		NC		NC
33		NC		NC	73	$\overline{X\_RE}$	Asynchronous read enable	$\overline{ARE}$	Asynchronous read enable
34		NC		NC	74	$\overline{X\_WE}$	Asynchronous write enable	$\overline{AWE}$	Asynchronous read enable
35		NC		NC	75	$\overline{X\_OE}$	Asynchronous output enable	$\overline{AOE}$	Asynchronous output enable
36		NC		NC	76		NC		NC
37		NC		NC	77		NC		NC
38		NC		NC	78	X_DS	Data space select	CE0	Chip enable 0
39		NC		NC	79		NC		NC
40		NC		NC	80		NC		NC

Table 2–2. Jumper J7, Expansion Peripheral Interface Pinout

J1 Pin	Name	Signal Name C5000	Name	Signal Name C6000 (EMIF)	J1 Pin	Name	Signal Name C5000	Name	Signal Name C6000 (EMIF)
1		NC		NC	41		NC		NC
2		NC		NC	42		NC		NC
3		NC		NC	43		NC		NC
4		NC		NC	44		NC		NC
5		NC		NC	45	X_TOUT	Timer output	TOUT0	Timer 0 output
6		NC		NC	46		NC		NC
7		NC		NC	47		NC		NC
8		NC		NC	48		NC		NC
9		NC		NC	49		NC		NC
10		NC		NC	50		NC		NC
11		NC		NC	51		NC		NC
12		NC		NC	52		NC		NC
13		NC		NC	53	X_INT0	External interrupt 0	EXT_INT0	External interrupt 0
14		NC		NC	54		NC		NC
15		NC		NC	55		NC		NC
16		NC		NC	56	X_IOSTRB	I/O access strobe	INUM2	Active interrupt number
17		NC		NC	57		NC		NC
18		NC		NC	58		NC		NC
19		NC		NC	59	X_RESET	System reset signal	RESET	System reset signal
20		NC		NC	60		NC		NC
21		NC		NC	61		NC		NC
22		NC		NC	62		NC		NC
23		NC		NC	63		NC		NC
24		NC		NC	64		NC		NC
25		NC		NC	65		NC		NC
26		NC		NC	66		NC		NC
27		NC		NC	67		NC		NC
28		NC		NC	68		NC		NC
29		NC		NC	69		NC		NC
30		NC		NC	70		NC		NC
31		NC		NC	71		NC		NC
32		NC		NC	72		NC		NC
33		NC		NC	73		NC		NC
34		NC		NC	74		NC		NC
35		NC		NC	75	DB_DET	Daughterboard detect	GND	Ground
36		NC		NC	76		NC		NC
37		NC		NC	77	GND	Ground	GND	Ground
38		NC		NC	78		NC		NC
39		NC		NC	79	GND	Ground	GND	Ground
40		NC		NC	80		NC		NC

# Physical Description

---

---

---

---

---

This chapter provides information about the PCB layout, and contains a list of the components used.

<b>Topic</b>	<b>Page</b>
<b>3.1 Printed-Circuit Board</b> .....	<b>3-2</b>
<b>3.2 Bill of Materials</b> .....	<b>3-5</b>





Figure 3–3. Printed-Circuit Board Layer 1

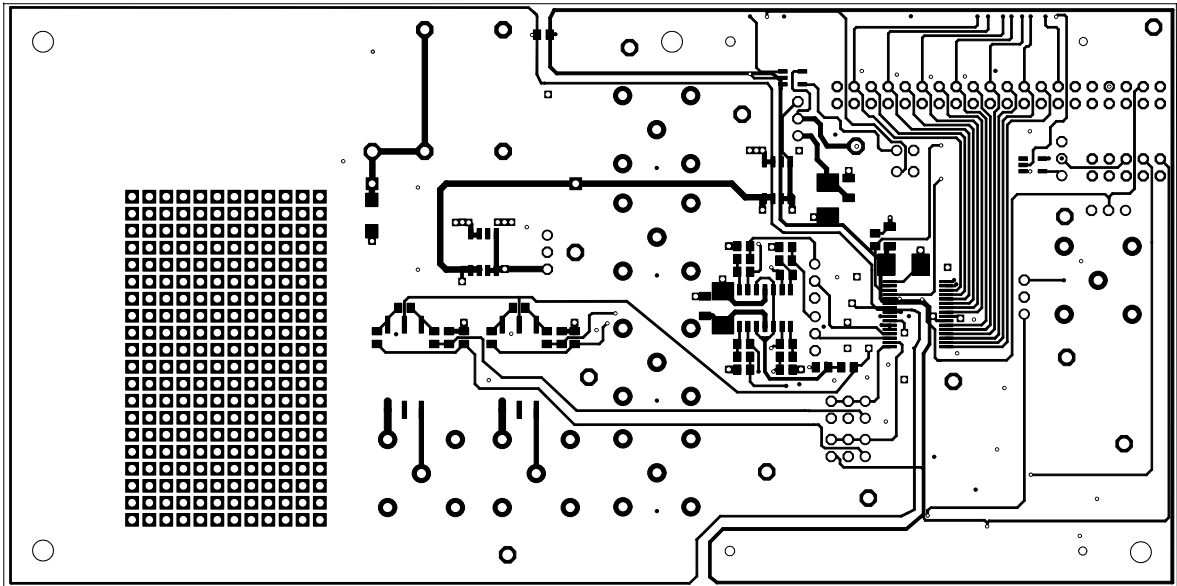


Figure 3–4. Printed-Circuit Board Layer 2

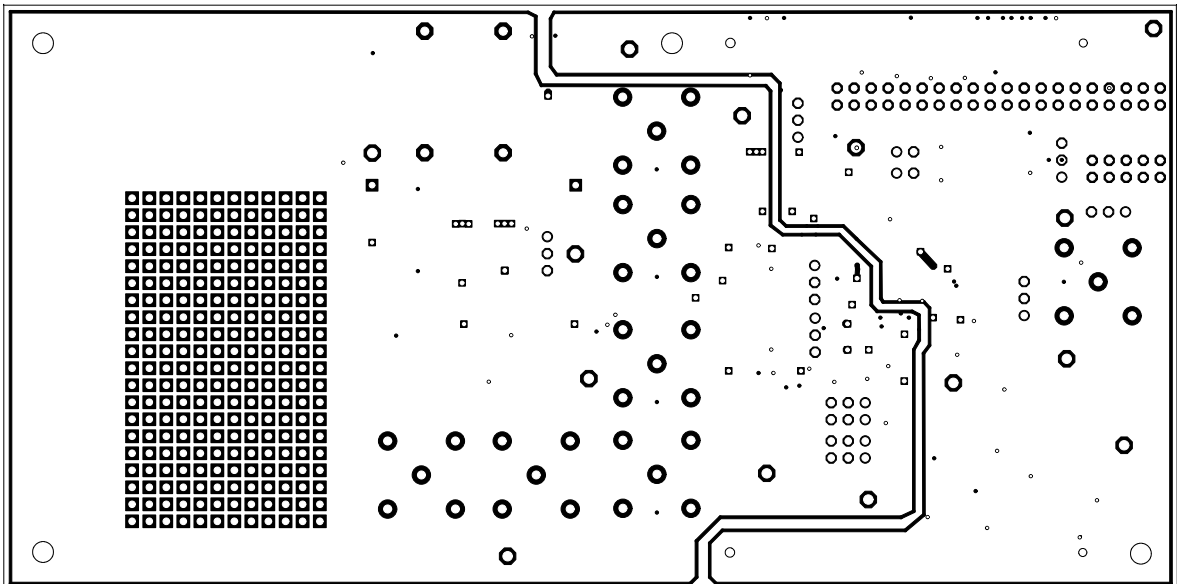


Figure 3–5. Printed-Circuit Board Layer 3

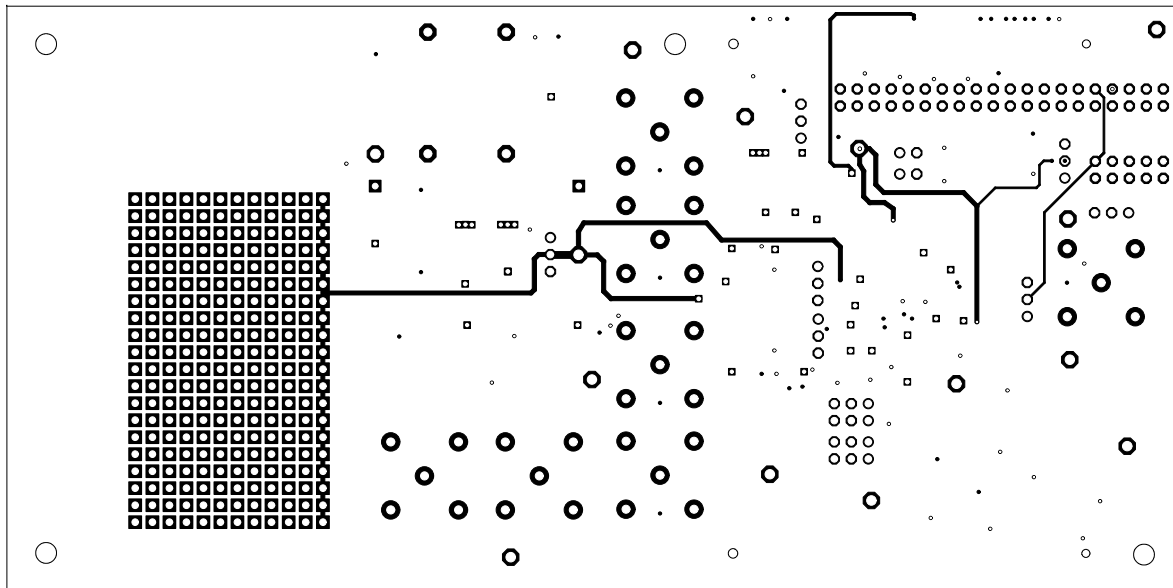
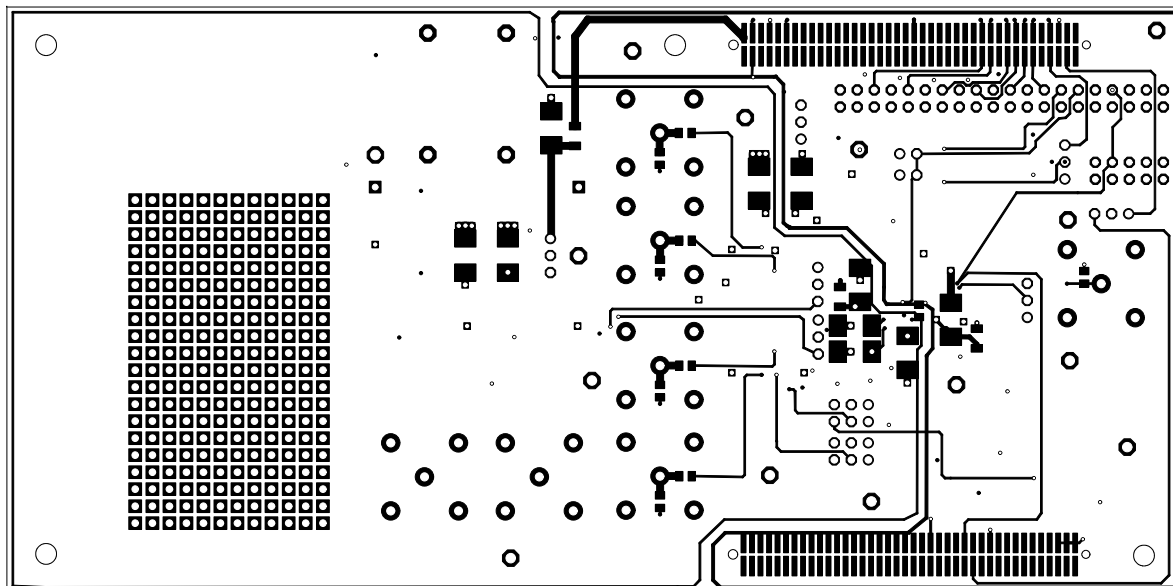


Figure 3–6. Printed-Circuit Board Layer 4



### 3.2 Bill of Materials

Table 3–1 lists the components used in constructing the EVM.

Table 3–1. Bill of Materials

Quantity	Reference	Description	Manufacturer
8	C1–C3, C5–C7, C20–C21	1 nF, SMD, size 0805	MIRA-Electronic:8231/102
13	C4, C8–C19	10 $\mu$ F Tantalum, C-Case	Bürklin: 25 D 1046
7	L1–L4, L6–L8	10 $\mu$ H, size 1206	Bürklin: 76 D 470
1	L5	470 $\mu$ H, size	Bürklin: 74 D 4742
15	R1, R3, R5, R8–R11, R13, R15, R18–R20, R25, R27, R28	49.9 $\Omega$ , size 0805	MIRA-Electronic: 8132/49.9
2	R23, R24	0 $\Omega$ , size 0805	
11	R2, R4, R6, R7, R12, R14, R16, R17, R21, R22, R26	10 k $\Omega$ , size 0805	MIRA-Electronic: 8132/10 k
1	IC1	THS1206CDA <sup>†</sup>	Bereitstellung von TI
1	IC2	AD8044AR	Spörle
1	IC3	TPS7250QD	Bereitstellung von TI
1	IC4	TPS7233QD	Bereitstellung von TI
1	IC5	SN74AHC1G04DBVR	Bereitstellung von TI
1	IC6	SN74AHC1G02DBVR	Bereitstellung von TI
7	ADIFF, AINM, AINP, BDIFF, BINM, BINP, EXT-CLK	BNC	Bürklin: 78F2475
1	D1	1N4004	Bürklin: 26 S 7950
14	AVDD, DGND, DVDD, SUPPLY, TPA1–TPA5, TPD1–TPD5	Test point	Bürklin: 07 F 810
1	AGND	PB4 black	Bürklin: 35 F 234
1	VDD	PB4 red	Bürklin: 35 F 236
2	T1, T2	Transformer: T1-6T-KK81	Municom
7	J1, J2, J5–J7, J12, J13	Jumper 3 pole	Riebensahm : 0100125112003
2	J10, J11	Jumper 2 pole	Riebensahm : 0100125112002
2	J6, J7 (HD–DSP)	SMD-Connector	Samtec: TFM-140-32-S-D-LC
12	1, 3, J14, J20–J24, J100, J101, J103, TEST	Jumper 2 x 18 pole	
2	J3, J4	Jumper 2 x 3 pole	
1	J8	Jumper 2 x 5 pole	
1	J9	Jumper 2 x 18 pole	

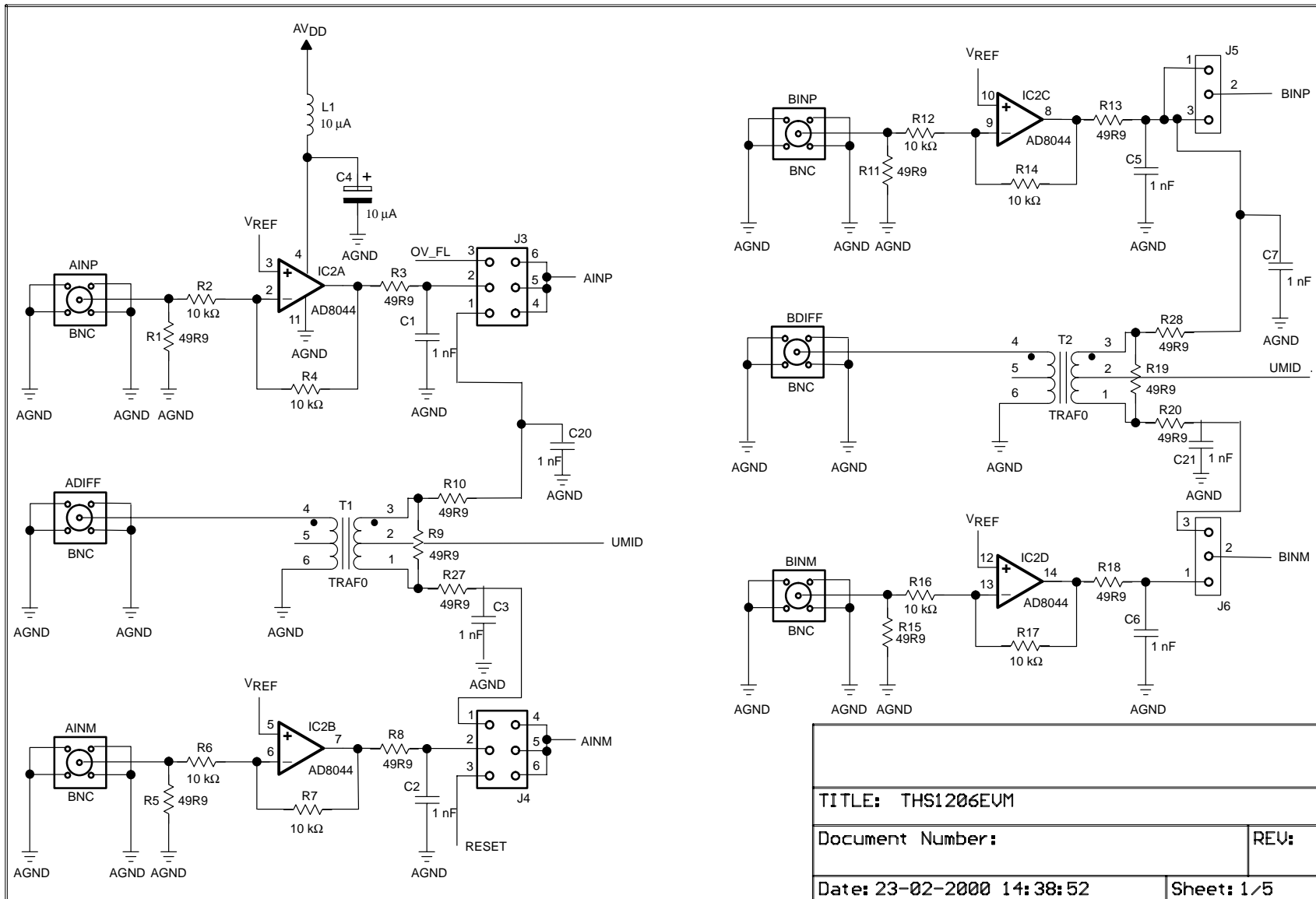
<sup>†</sup> May be replaced with THS12082, THS10082, THS10064

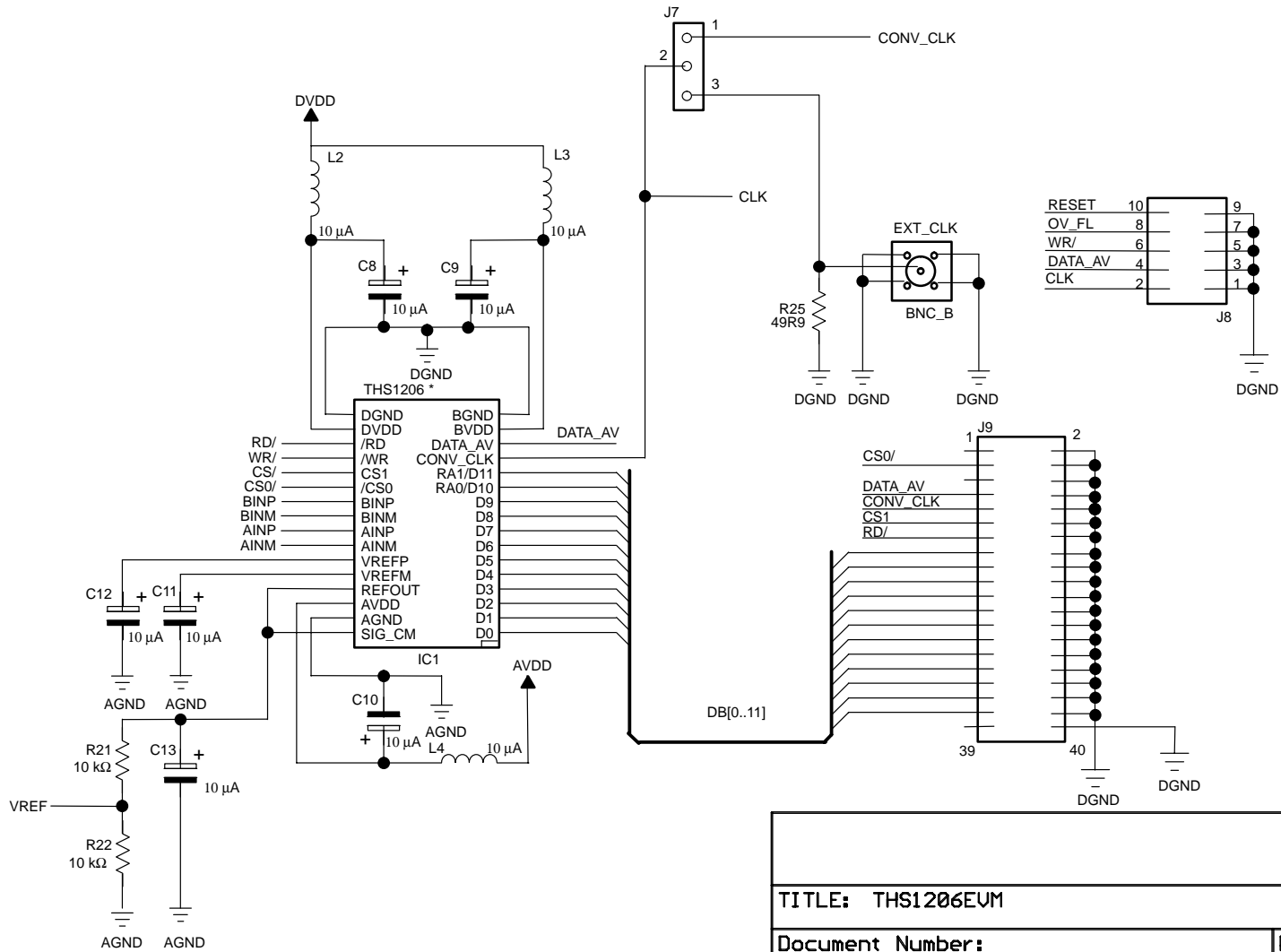


# **Schematics**

A decorative graphic consisting of five horizontal lines of varying shades of gray, positioned below the title.

This chapter contains the evaluation module schematics.

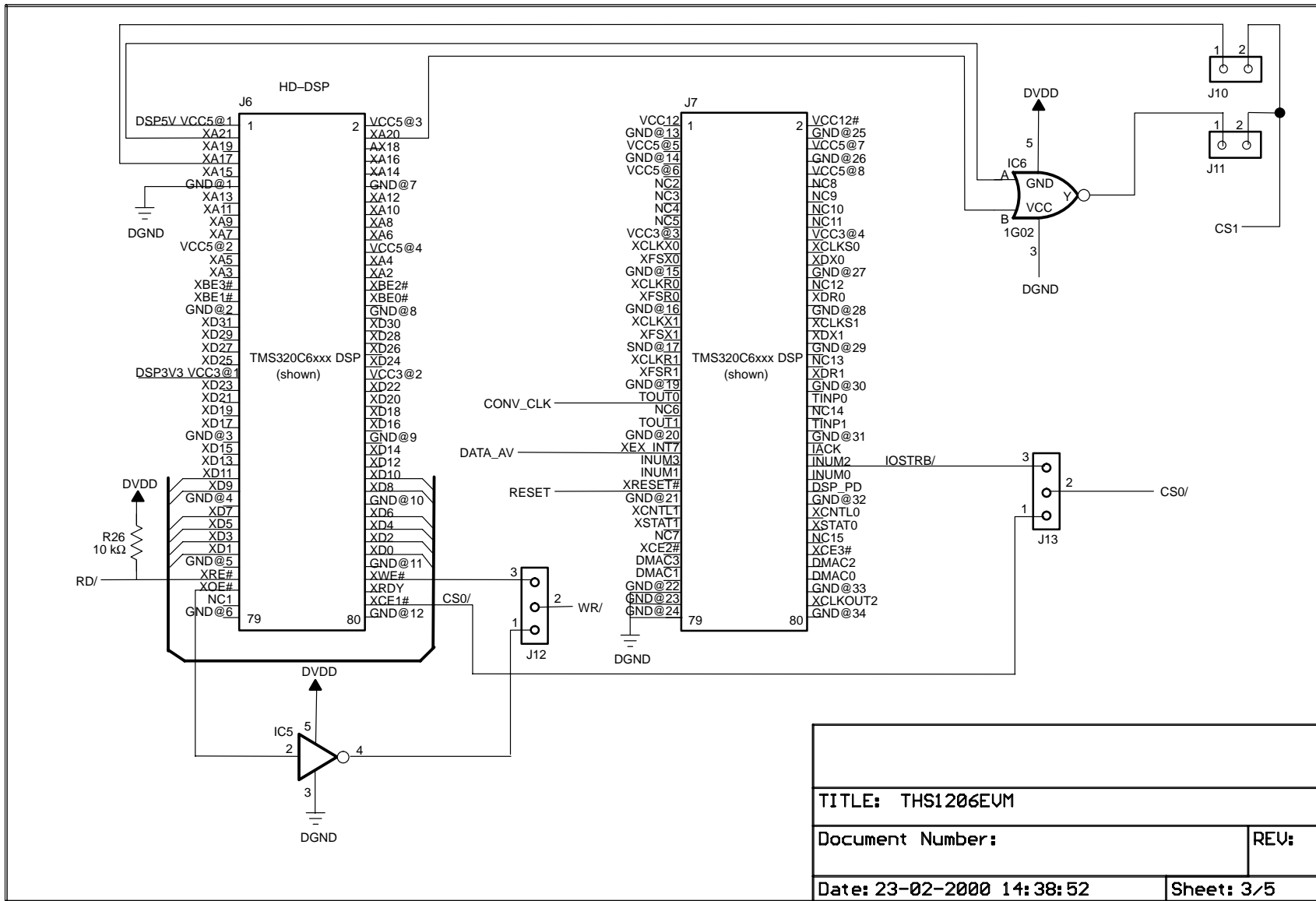




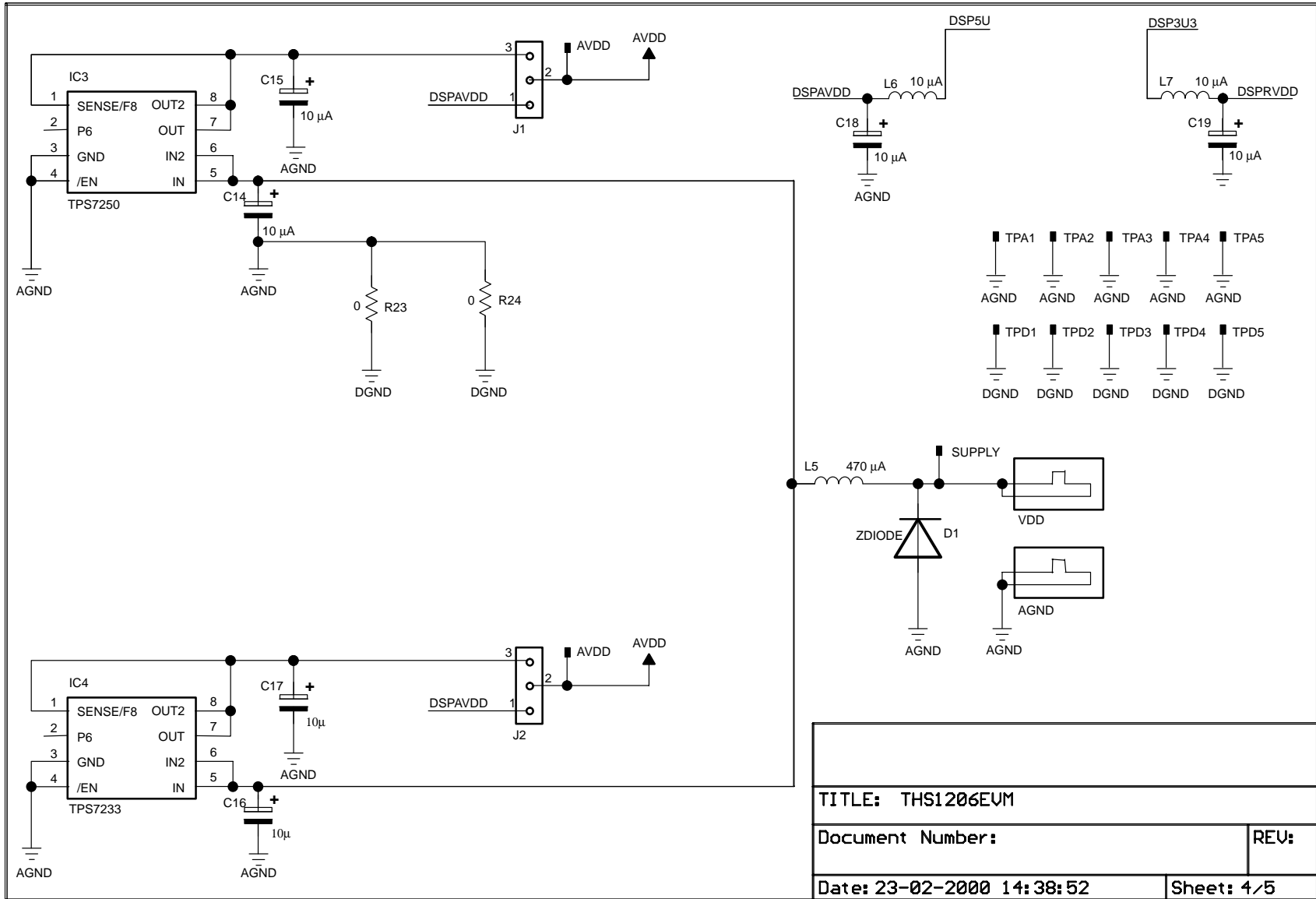
\* Can be replaced with THS12082, THS10082, or THS10064

TITLE: THS1206EVM	
Document Number:	REV:
Date: 23-02-2000 14:38:52	Sheet: 2/5

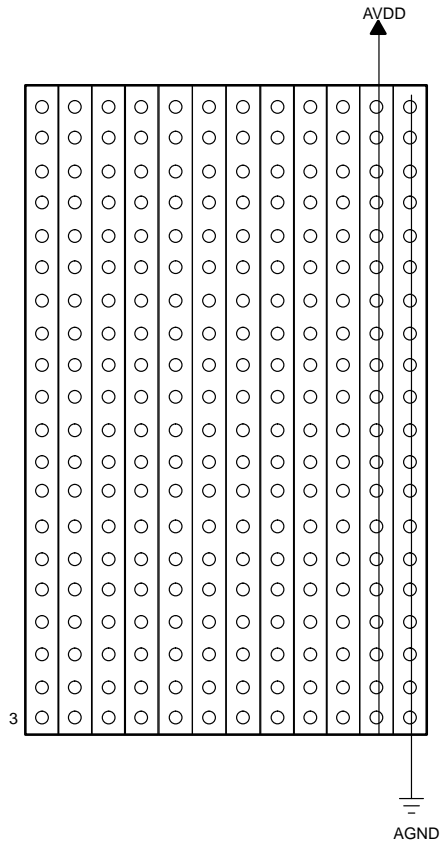




TITLE: THS1206EVM	
Document Number:	REV:
Date: 23-02-2000 14:38:52	Sheet: 3/5



TITLE: THS1206EVM	
Document Number:	REV:
Date: 23-02-2000 14:38:52	Sheet: 4/5



TITLE: THS1206EVM	
Document Number:	REV:
Date: 23-02-2000 14:38:52	Sheet: 5/5

---

## IMPORTANT NOTICE

Texas Instruments and its subsidiaries (TI) reserve the right to make changes to their products or to discontinue any product or service without notice, and advise customers to obtain the latest version of relevant information to verify, before placing orders, that information being relied on is current and complete. All products are sold subject to the terms and conditions of sale supplied at the time of order acknowledgment, including those pertaining to warranty, patent infringement, and limitation of liability.

TI warrants performance of its products to the specifications applicable at the time of sale in accordance with TI's standard warranty. Testing and other quality control techniques are utilized to the extent TI deems necessary to support this warranty. Specific testing of all parameters of each device is not necessarily performed, except those mandated by government requirements.

Customers are responsible for their applications using TI components.

In order to minimize risks associated with the customer's applications, adequate design and operating safeguards must be provided by the customer to minimize inherent or procedural hazards.

TI assumes no liability for applications assistance or customer product design. TI does not warrant or represent that any license, either express or implied, is granted under any patent right, copyright, mask work right, or other intellectual property right of TI covering or relating to any combination, machine, or process in which such products or services might be or are used. TI's publication of information regarding any third party's products or services does not constitute TI's approval, license, warranty or endorsement thereof.

Reproduction of information in TI data books or data sheets is permissible only if reproduction is without alteration and is accompanied by all associated warranties, conditions, limitations and notices. Representation or reproduction of this information with alteration voids all warranties provided for an associated TI product or service, is an unfair and deceptive business practice, and TI is not responsible nor liable for any such use.

Resale of TI's products or services with statements different from or beyond the parameters stated by TI for that product or service voids all express and any implied warranties for the associated TI product or service, is an unfair and deceptive business practice, and TI is not responsible nor liable for any such use.

Also see: Standard Terms and Conditions of Sale for Semiconductor Products.  
[www.ti.com/sc/docs/stdterms.htm](http://www.ti.com/sc/docs/stdterms.htm)

Mailing Address:

Texas Instruments  
Post Office Box 655303  
Dallas, Texas 75265

Copyright © 2001, Texas Instruments Incorporated