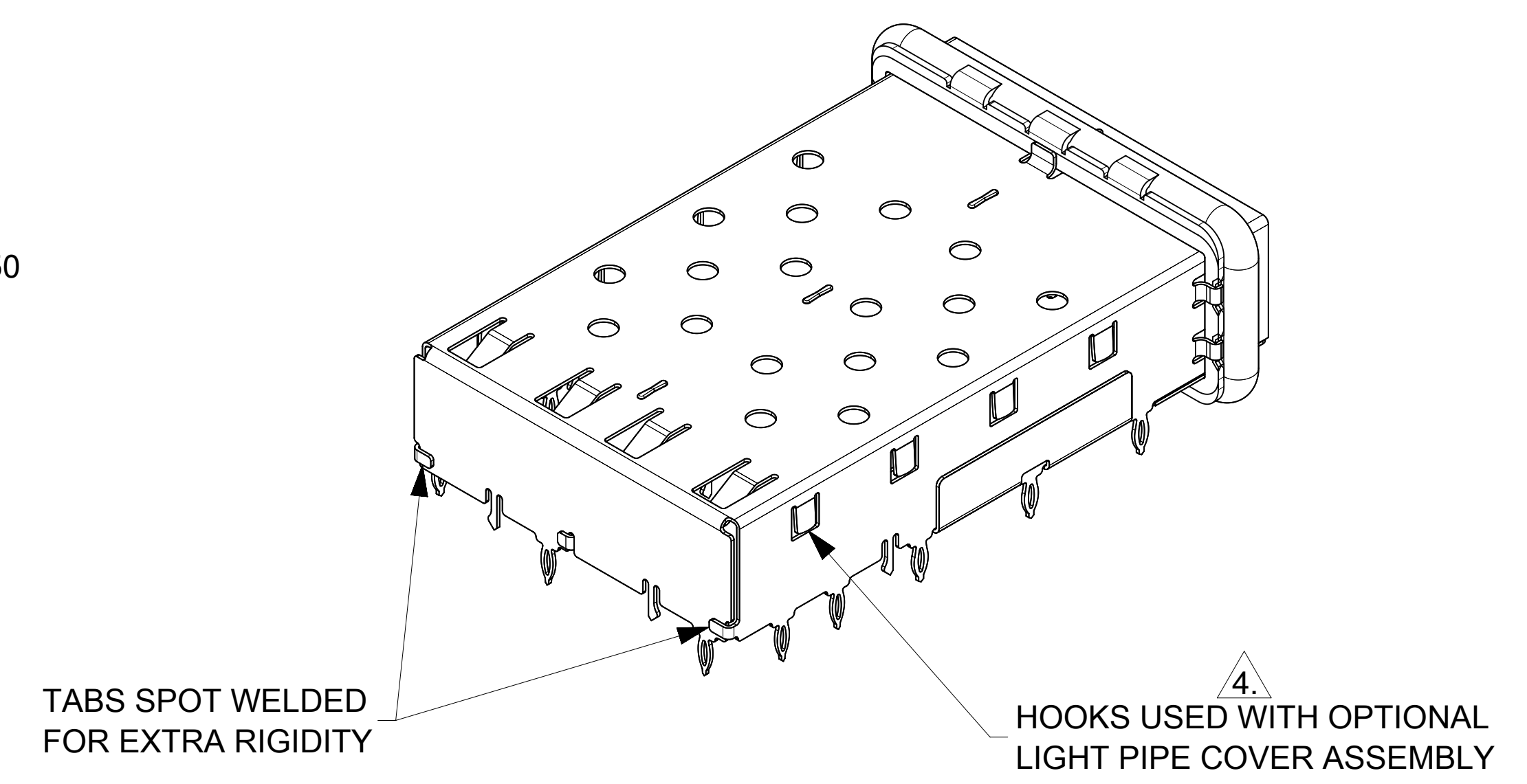
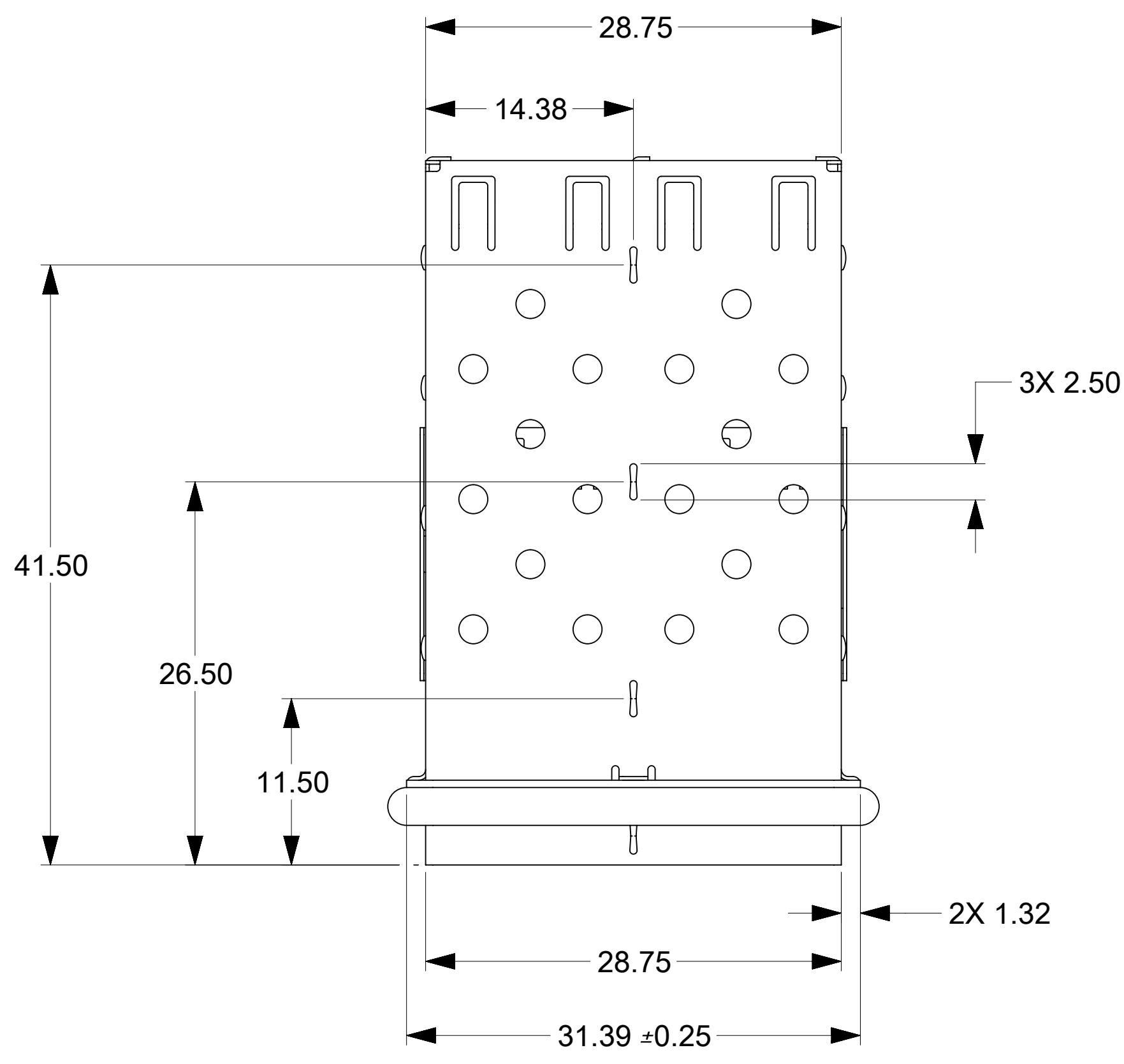
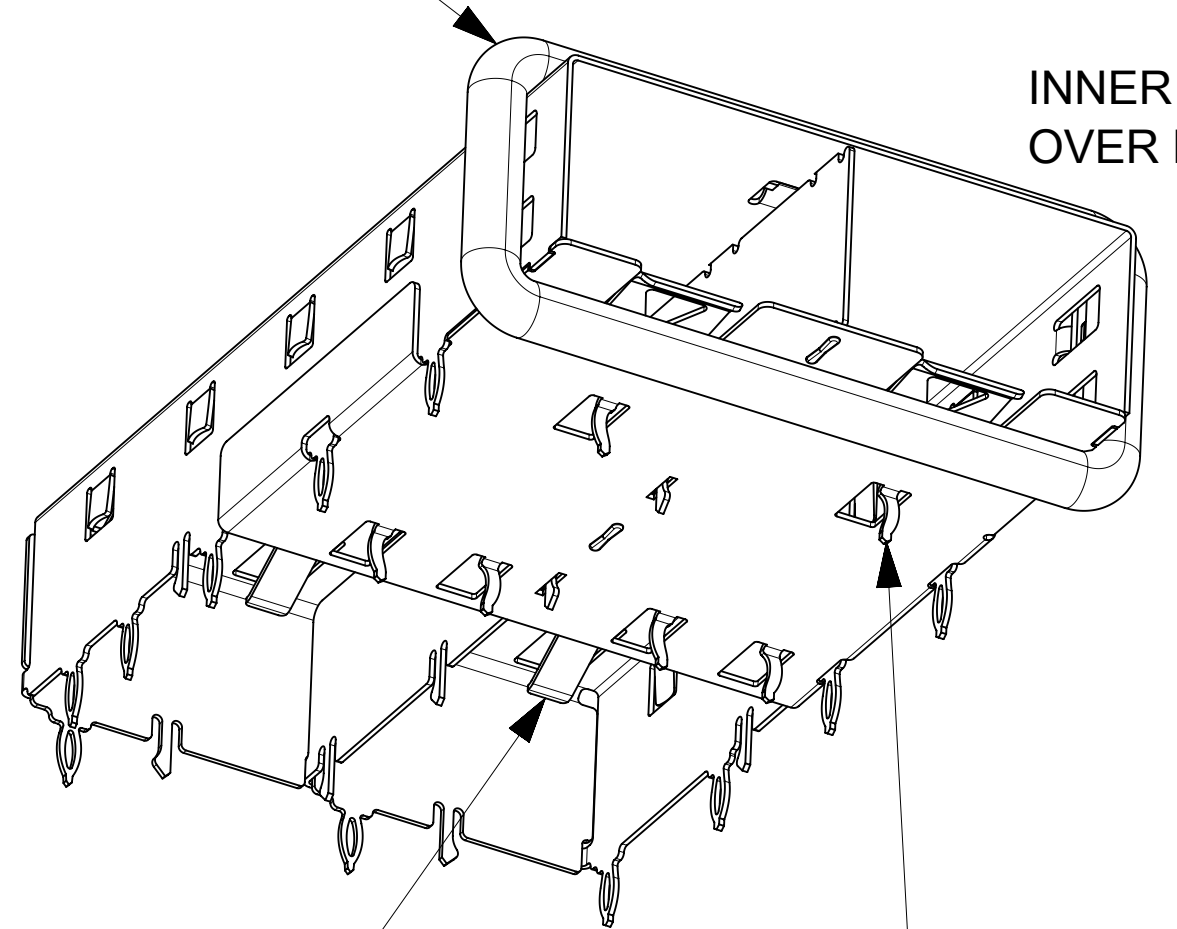


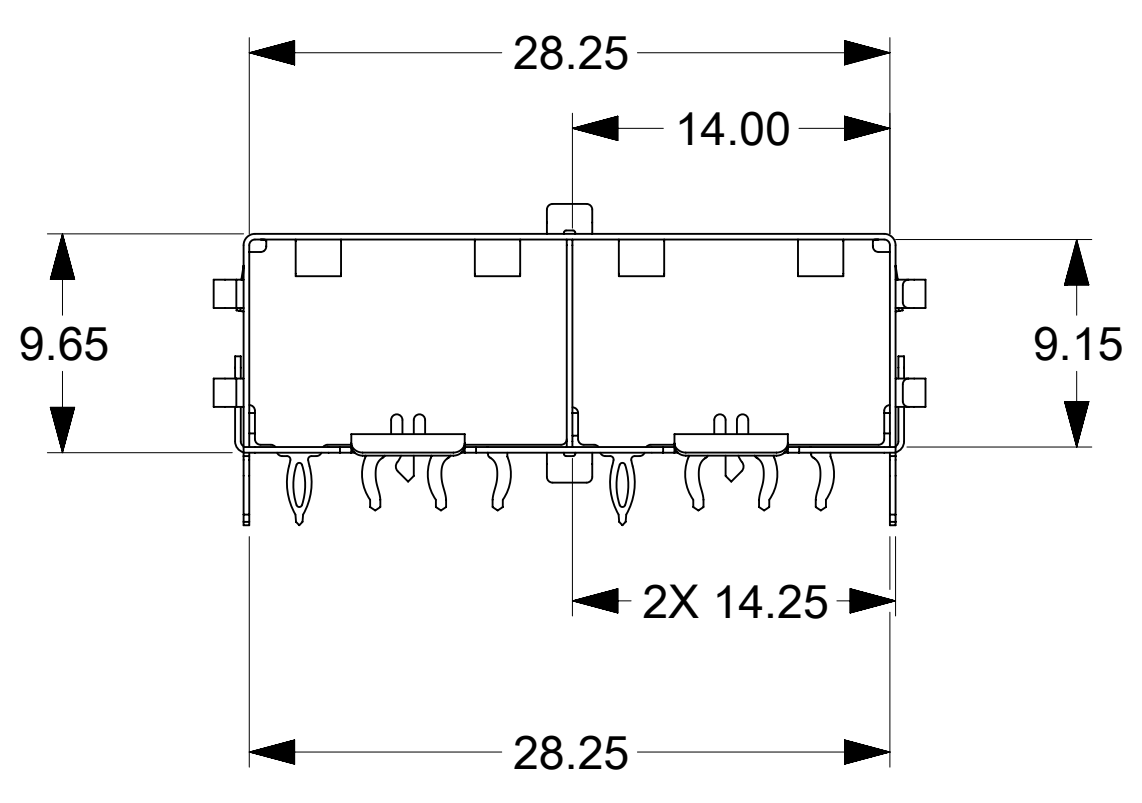
- NOTES:**
- PRESS FIT LEGS 3.05 LONG-  
1.57 MINIMUM PCB THICKNESS FOR SINGLE SIDED USE.  
3.00 MINIMUM PCB THICKNESS FOR BELLY TO BELLY USE.
  - MATERIAL: COPPER ALLOY  
PLATING: NONE  
NOTE: A NICKEL PLATED VERSION OF THIS ASSEMBLY IS AVAILABLE.  
REFER TO DOCUMENT SD-74722-004
  - REFERENCE DOCUMENTS:  
PRODUCT SPECIFICATION: PS-74728-000  
COSMETIC SPECIFICATIONS: WI-HP-2774 AND WI-HPA-7-0093  
TEST SUMMARY: TS-73927-0250.
  - MATES WITH SERIES 74727, LIGHT PIPE COVER ASSEMBLY.
  - NO RoHS EXEMPTIONS.



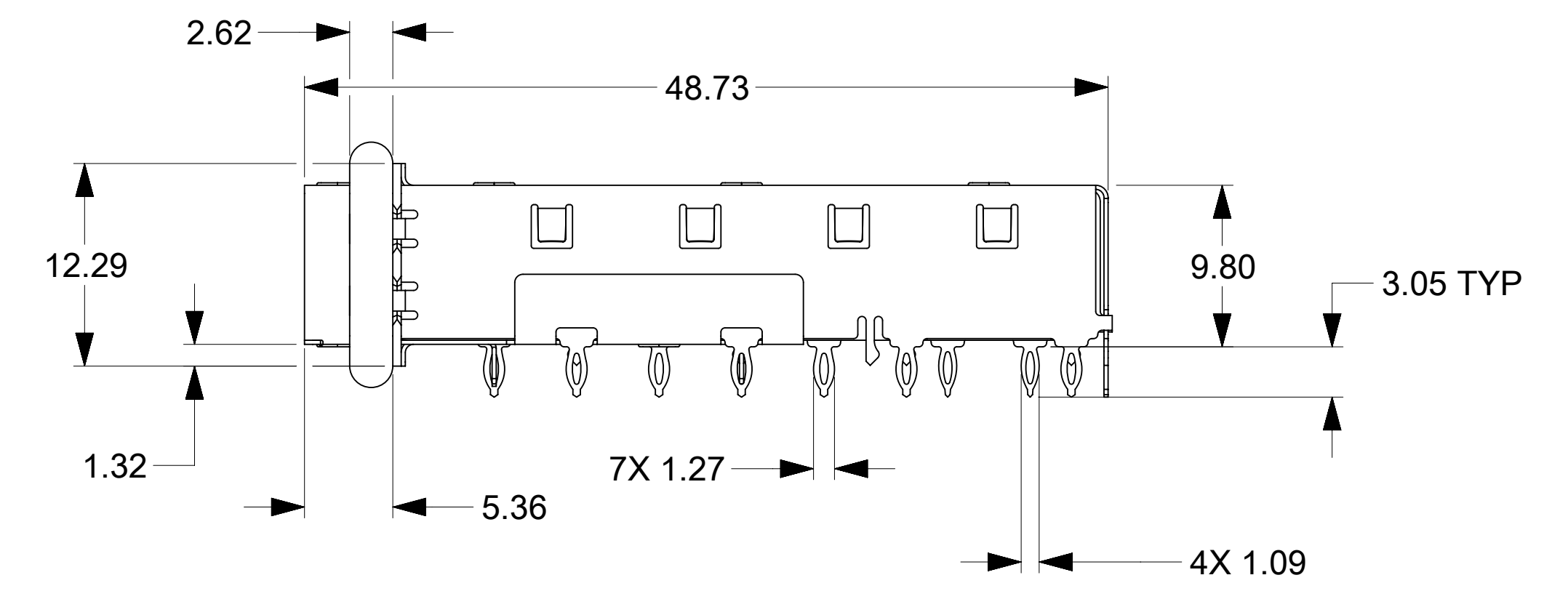
360° ELASTOMER EMI GASKET COMPLIES WITH (SFP) MSA BOARD AND BEZEL LOCATIONS



INNER WALL TABS ARE COINED OVER BASE AND COVER FOR RIGIDITY



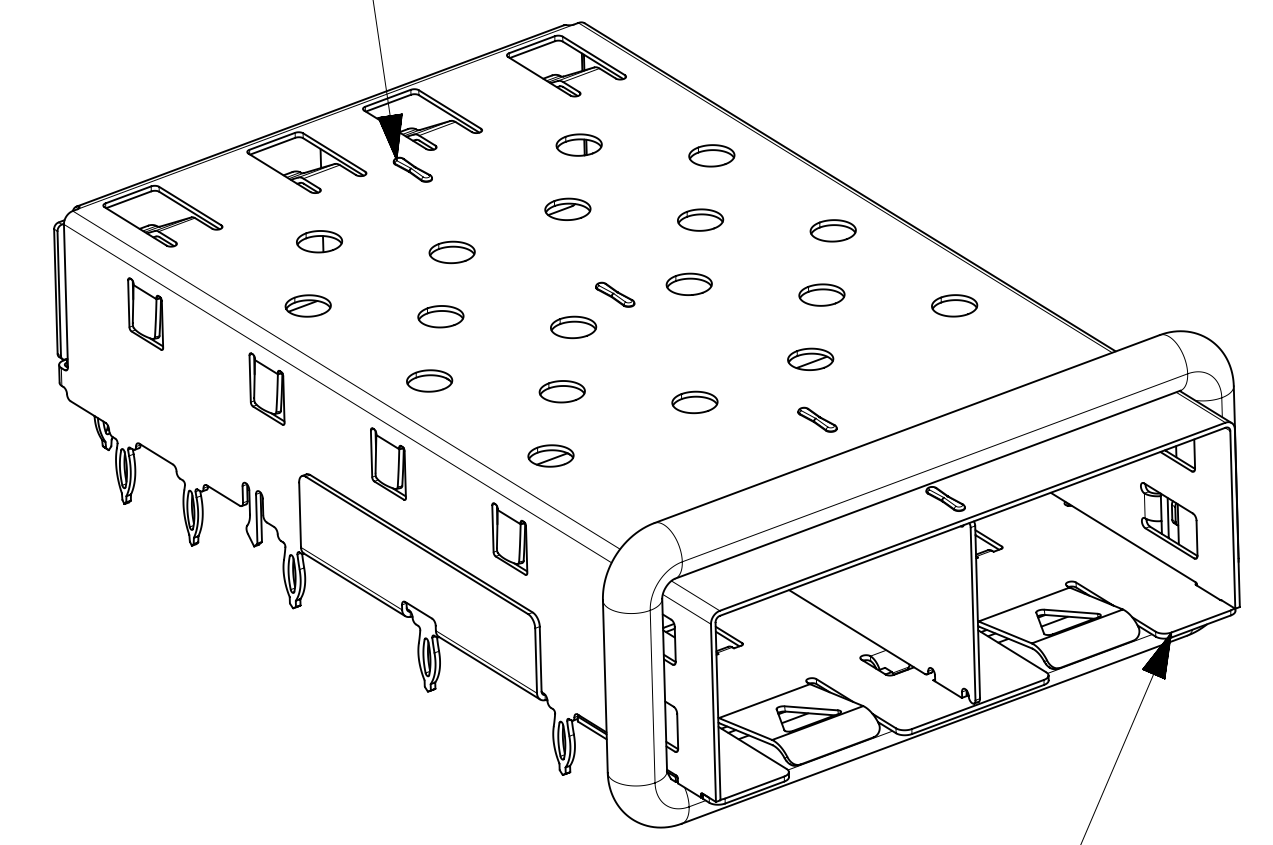
GASKET AND FRAME REMOVED FOR CLARITY



PART NUMBER  
739270250

EMI FINGERS CONTACT ADAPTER

6 UNDER BELLY EMI PINS

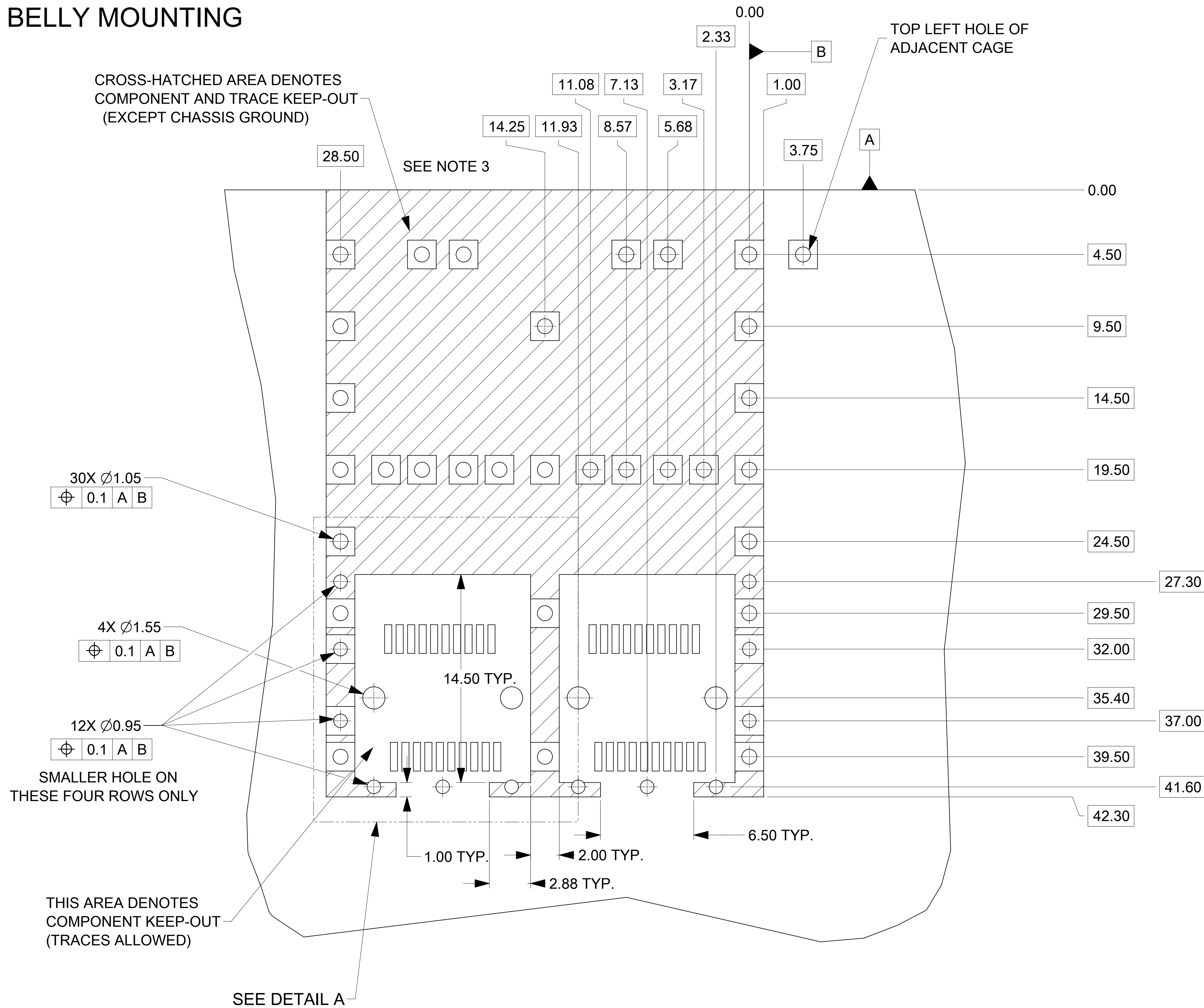


DIMENSIONS OF EACH INNER CAGE DESIGNED TO FUNCTION WITH SMALL FORM-FACTOR PLUGGABLE (SFP) TRANSCEIVER

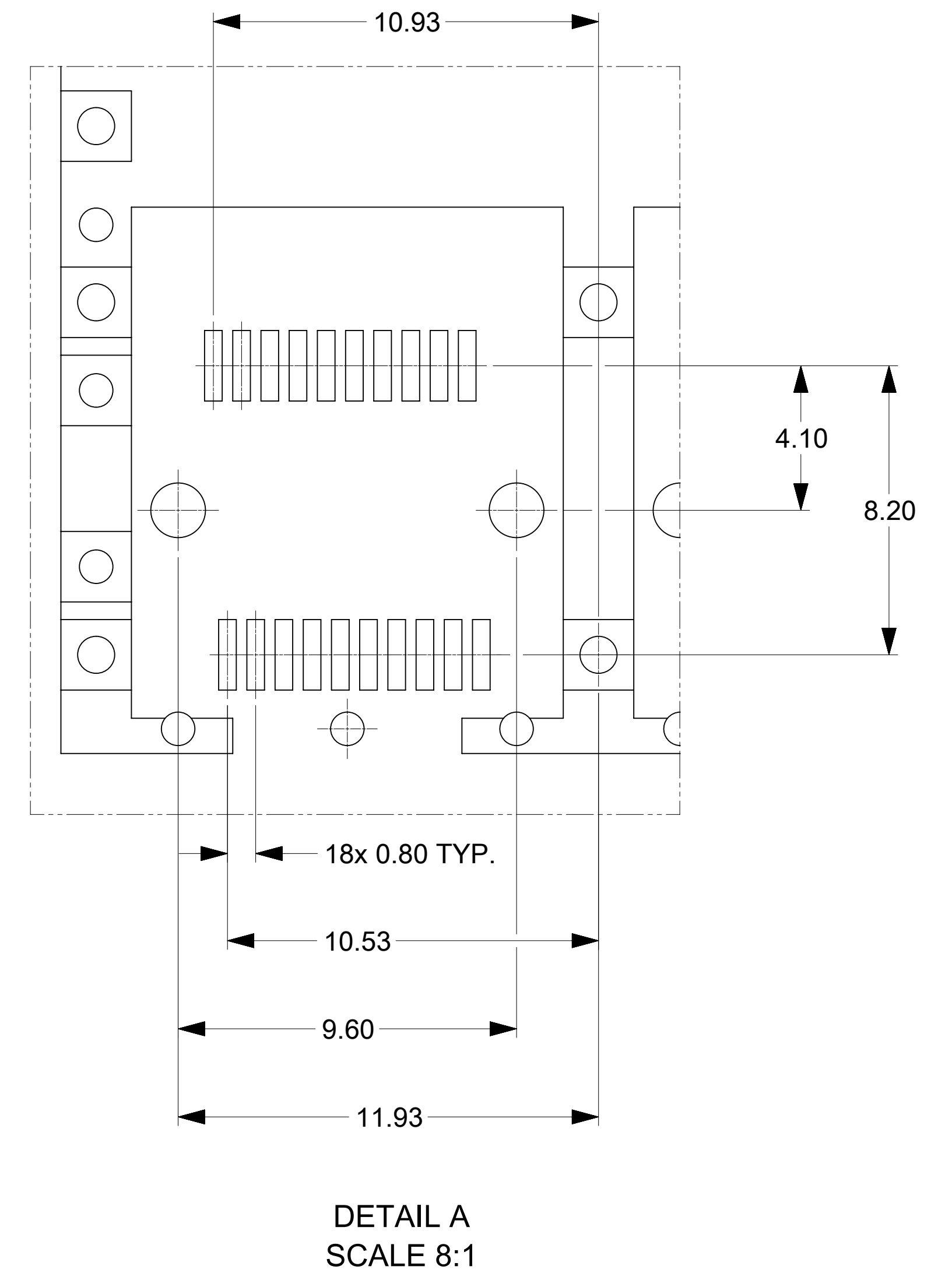
THIS DRAWING CONTAINS INFORMATION THAT IS PROPRIETARY TO MOLEX ELECTRONIC TECHNOLOGIES, LLC AND SHOULD NOT BE USED WITHOUT WRITTEN PERMISSION

DIMENSION UNITS: MM		SCALE: 3:1		CURRENT REV DESC:		<b>molex</b>				
GENERAL TOLERANCES (UNLESS SPECIFIED)										
4 PLACES	±	±		EC NO: 620216		1X2 SFP GANGED CAGE ASSEMBLY PRESS FIT				
3 PLACES	±	±		DRWN: AKUMAR19	2018/05/31	PRODUCT CUSTOMER DRAWING				
2 PLACES	±	0.13	±	CHK'D: GGA	2019/07/09	DOCUMENT NUMBER		DOC TYPE	DOC PART	REVISION
1 PLACE	±	0.25	±	APPR: GGA	2019/07/09	SD-73927-250		PSD	001	E
0 PLACES	±		±	INITIAL REVISION:		SERIES		MATERIAL NUMBER		CUSTOMER
ANGULAR TOL ± 1.0°				DRWN: KSIMONSO	2003/09/25	73927		SEE TABLE		GENERAL MARKET
DRAFT WHERE APPLICABLE MUST REMAIN WITHIN DIMENSIONS		THIRD ANGLE PROJECTION		APPR: KJANOTA	2010/03/16	DRAWING		SHEET NUMBER		
						D-SIZE		1 OF 5		

# PCB LAYOUT FOR BELLY TO BELLY MOUNTING



## HOST CONNECTOR DETAIL



- NOTES:
1. PADS AND VIAS GO TO CHASSIS GROUND, (34 PLACES). RECOMMENDED PADS TO BE 2mm SQUARE.
  2. PLATING OPTIONAL FOR THROUGH HOLES (8 PLACES)
  3. RECOMMENDED PLATING INCLUDES HASL, IMMERSION (GOLD, SILVER, OR TIN), AND OSP.
  4. HOLE PATTERN REPEATS FOR EACH PORT, SPACING BETWEEN PORTS IS 14.25
  5. CONNECTOR PAD LAYOUT PER SFP MSA. WILL ACCOMODATE MOLEX CONNECTOR SERIES 74441 OR EQUIVALENT.

THIS DRAWING CONTAINS INFORMATION THAT IS PROPRIETARY TO MOLEX ELECTRONIC TECHNOLOGIES, LLC AND SHOULD NOT BE USED WITHOUT WRITTEN PERMISSION											
DIMENSION UNITS		SCALE		CURRENT REV DESC:							
MM		6:1		<b>molex</b> 1X2 SFP GANGED CAGE ASSEMBLY PRESS FIT PRODUCT CUSTOMER DRAWING DOCUMENT NUMBER: SD-73927-250   DOC TYPE: PSD   DOC PART: 001   REVISION: E MATERIAL NUMBER: SEE TABLE   CUSTOMER: GENERAL MARKET   SHEET NUMBER: 2 OF 5							
GENERAL TOLERANCES (UNLESS SPECIFIED)										EC NO: 620216	
	MM	INCH								DRWN: AKUMAR19 2018/05/31	
4 PLACES	±	±								CHK'D: GGA 2019/07/09	
3 PLACES	±	±								APPR: GGA 2019/07/09	
2 PLACES	±	0.13	±	INITIAL REVISION:							
1 PLACE	±	0.25	±	DRWN: KSIMONSO 2003/09/25							
0 PLACES	±		±	APPR: KJANOTA 2010/03/16							
ANGULAR TOL ± 1.0°				THIRD ANGLE PROJECTION							
DRAFT WHERE APPLICABLE MUST REMAIN WITHIN DIMENSIONS				DRAWING: D-SIZE							
				SERIES: 73927							

# PCB LAYOUT FOR SINGLE SIDE MOUNTING

CROSS-HATCHED AREA DENOTES  
COMPONENT AND TRACE KEEP-OUT  
(EXCEPT CHASSIS GROUND)

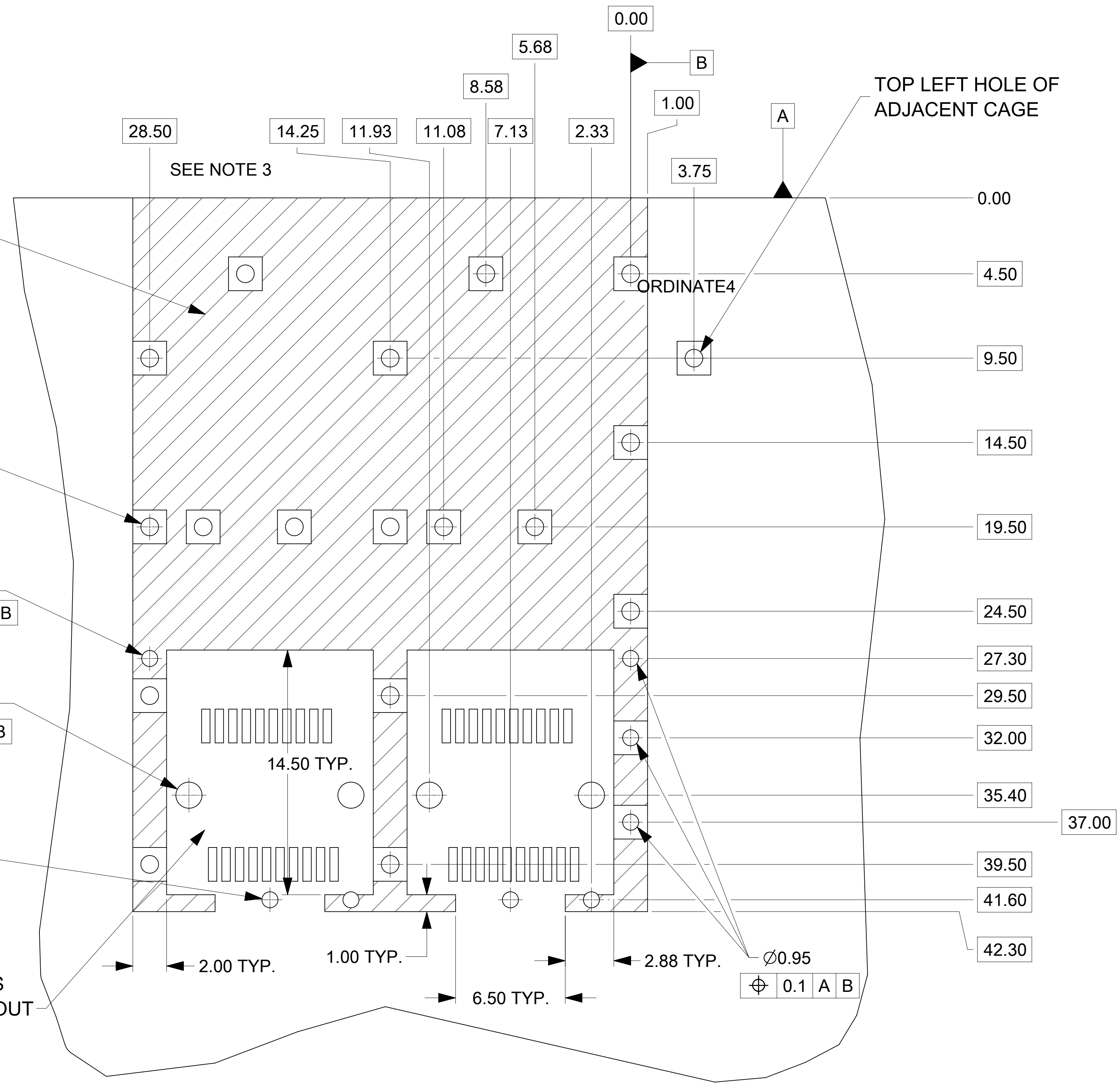
17X  $\varnothing 1.05$   
 $\pm 0.1$  A B

$\varnothing 0.95$   
 $\pm 0.1$  A B

8X  $\varnothing 1.55$   
 $\pm 0.1$  A B

4X  $\varnothing 0.95$   
 $\pm 0.1$  A B

THIS AREA DENOTES  
COMPONENT KEEP-OUT  
(TRACES ALLOWED)



## NOTES:

1. PADS AND VIAS GO TO CHASSIS GROUND, (19 PLACES). RECOMMENDED PADS TO BE 2mm SQUARE.
2. PLATING OPTIONAL FOR THROUGH HOLES (6 PLACES)
3. RECOMMENDED PLATING INCLUDES HASL, IMMERSION (GOLD, SILVER, OR TIN), AND OSP.
4. HOLE PATTERN REPEATS FOR EACH PORT, SPACING BETWEEN PORTS IS 14.25
5. CONNECTOR PAD LAYOUT PER SFP MSA. WILL ACCOMODATE MOLEX CONNECTOR SERIES 74441 OR EQUIVALENT.

THIS DRAWING CONTAINS INFORMATION THAT IS PROPRIETARY TO MOLEX ELECTRONIC TECHNOLOGIES, LLC AND SHOULD NOT BE USED WITHOUT WRITTEN PERMISSION

DIMENSION UNITS		SCALE		CURRENT REV DESC:	
MM		6:1			
GENERAL TOLERANCES (UNLESS SPECIFIED)				EC NO: 620216	
		MM	INCH	DRWN: AKUMAR19 2018/05/31	
4 PLACES	±			2019/07/09	
3 PLACES	±			CHK'D: GGA	
2 PLACES	±	0.13		APPR: GGA 2019/07/09	
1 PLACE	±	0.25		INITIAL REVISION:	
0 PLACES	±			DRWN: KSIMONSO 2003/09/25	
ANGULAR TOL		± 1.0°		APPR: KJANOTA 2010/03/16	
DRAFT WHERE APPLICABLE MUST REMAIN WITHIN DIMENSIONS		THIRD ANGLE PROJECTION		DRAWING SERIES	
		D-SIZE		73927	
DOCUMENT NUMBER		DOC TYPE		DOC PART	
SD-73927-250		PSD		001	
CUSTOMER		SHEET NUMBER		REVISION	
GENERAL MARKET		3 OF 5		E	

**molex**

1X2 SFP GANGED CAGE  
ASSEMBLY PRESS FIT

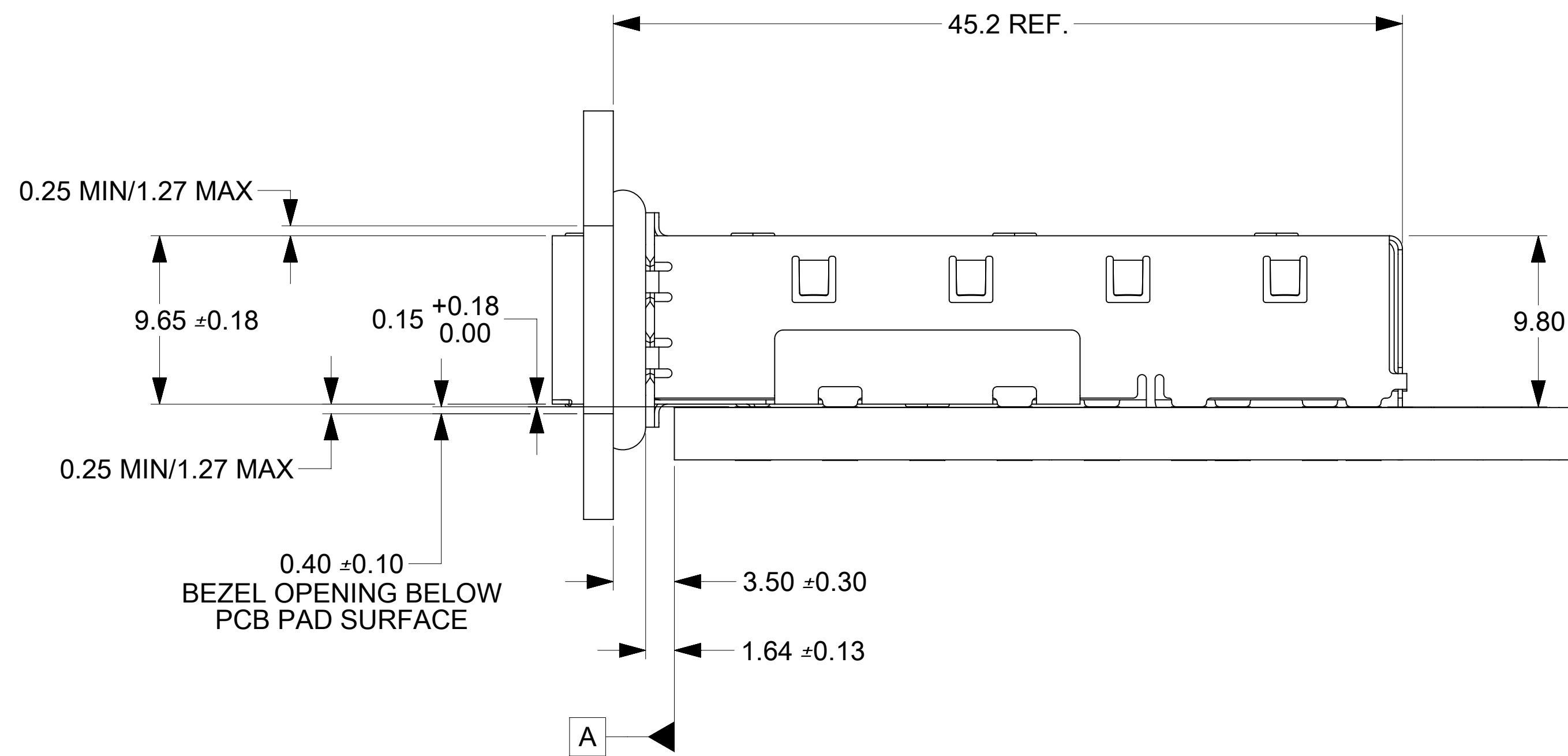
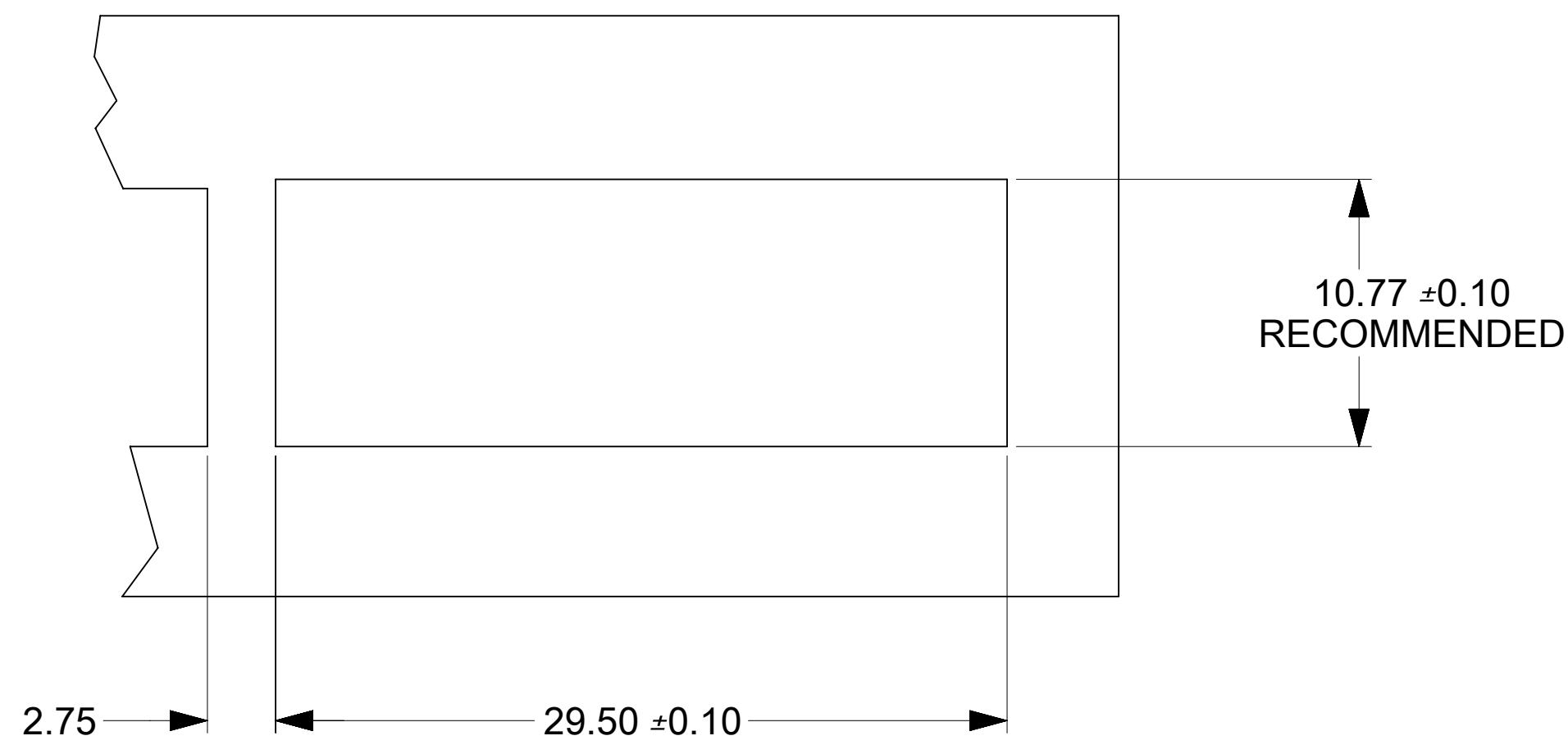
PRODUCT CUSTOMER DRAWING

DOCUMENT NUMBER DOC TYPE DOC PART REVISION

SD-73927-250 PSD 001 E

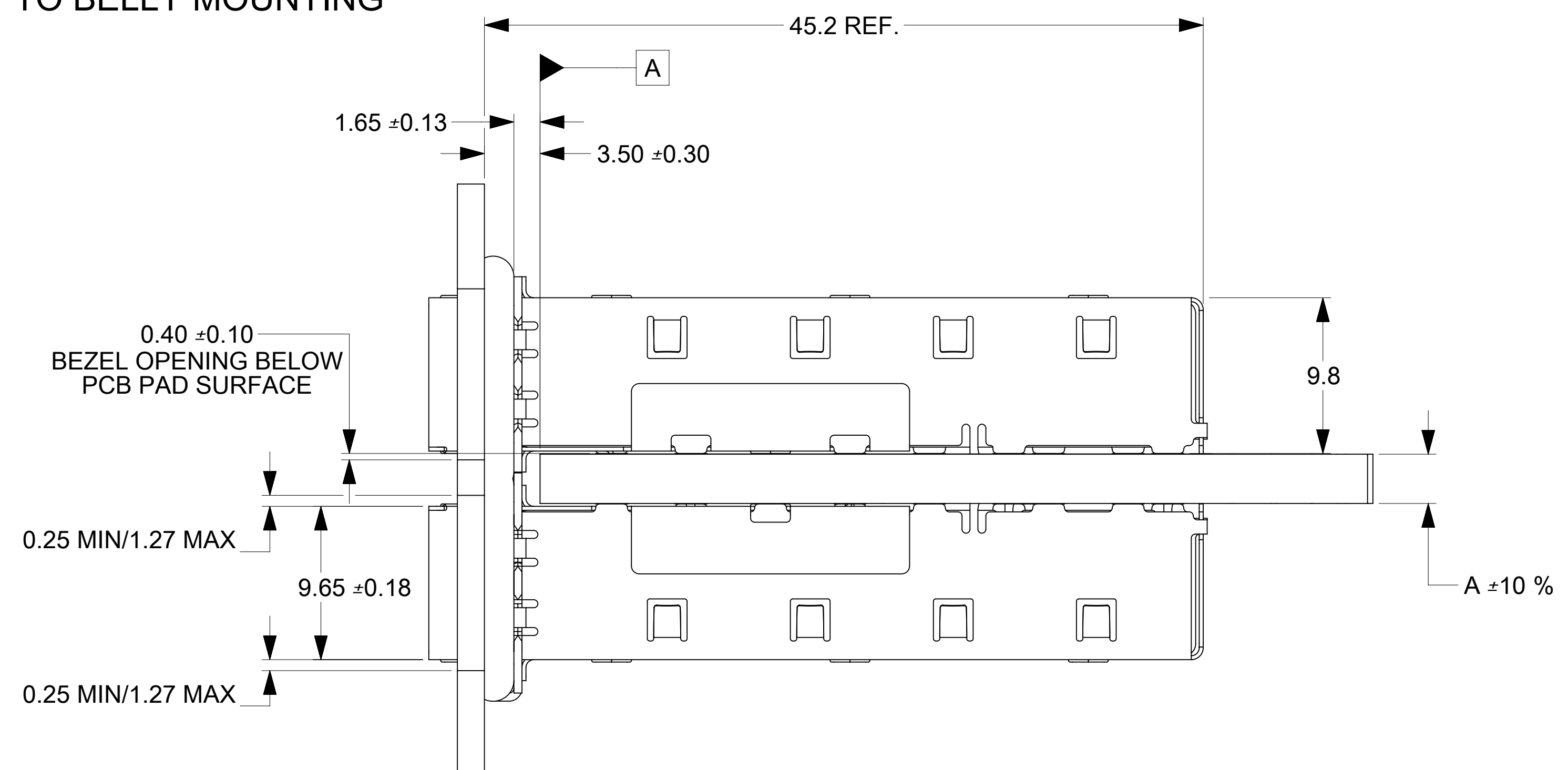
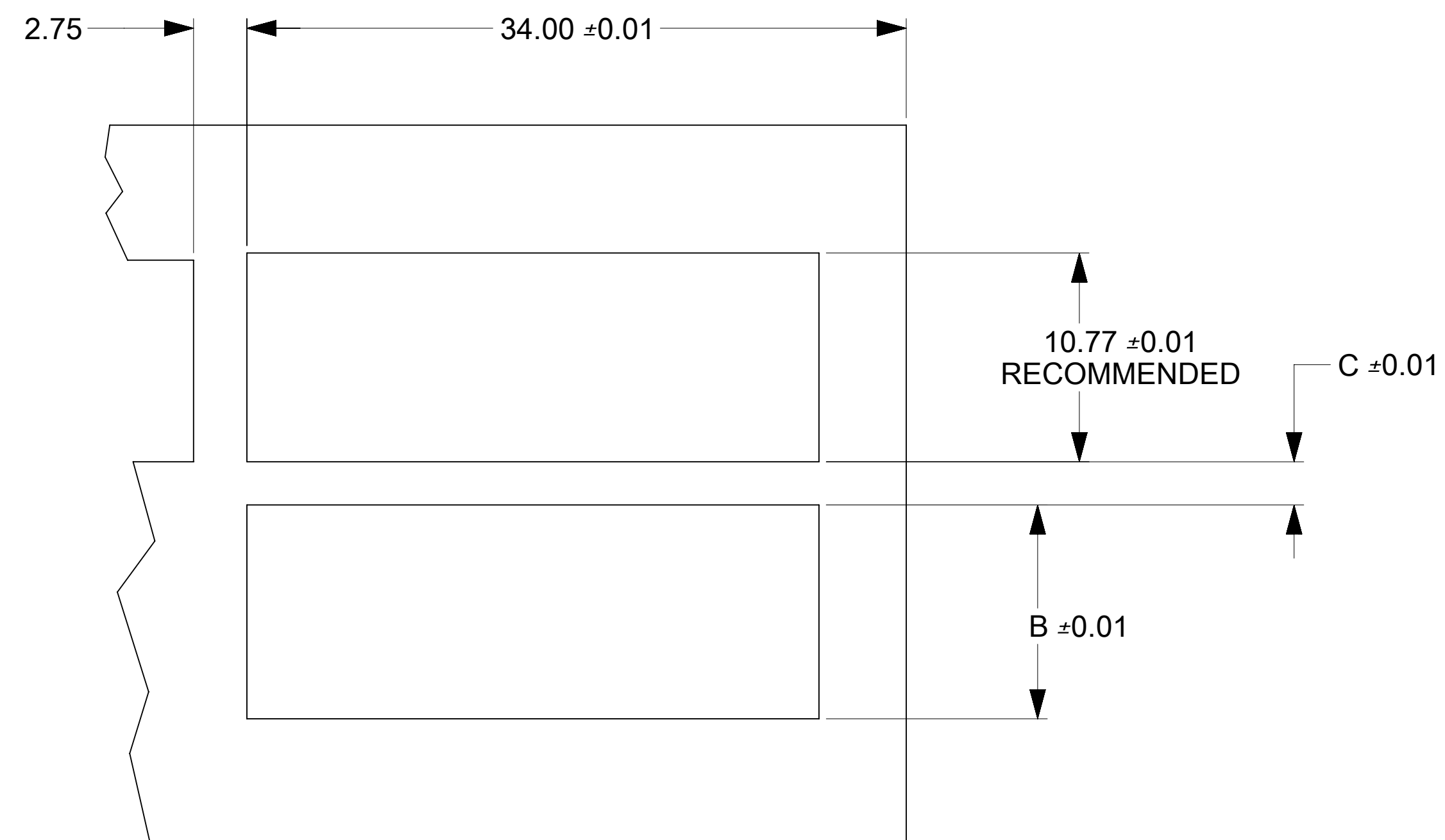
MATERIAL NUMBER CUSTOMER SHEET NUMBER

SEE TABLE GENERAL MARKET 3 OF 5



BEZEL AND BOARD POSITION DIMENSIONS FOR SINGLE SIDE MOUNTING

BEZEL AND BOARD POSITION DIMENSIONS FOR BELLY TO BELLY MOUNTING



NOTE:

1. FOR A GIVEN BOARD THICKNESS (A), DIMENSIONS (B) AND (C) ARE DIRECTLY AFFECTED.
2. USE RECOMMENDED DIMENSIONS AND TOLERANCES TO AID IN DEVELOPING BEZEL OPENING.
3. FOR EXAMPLE USING A BOARD THICKNESS OF .125" THE RECOMMENDED VALUES WOULD BE:

A= 3.18  
B= 11.03  
C= 2.23

THIS DRAWING CONTAINS INFORMATION THAT IS PROPRIETARY TO MOLEX ELECTRONIC TECHNOLOGIES, LLC AND SHOULD NOT BE USED WITHOUT WRITTEN PERMISSION

DIMENSION UNITS		SCALE		CURRENT REV DESC:	
MM		4:1			
GENERAL TOLERANCES (UNLESS SPECIFIED)					
	MM	INCH			
4 PLACES	±	±	EC NO: 620216		
3 PLACES	±	±	DRWN: AKUMAR19	2018/05/31	
2 PLACES	±	±	CHK'D: GGA	2019/07/09	
1 PLACE	±	±	APPR: GGA	2019/07/09	
0 PLACES	±	±	INITIAL REVISION:		
ANGULAR TOL ± 1.0 °			DRWN: KSIMONSO	2003/09/25	
DRAFT WHERE APPLICABLE MUST REMAIN WITHIN DIMENSIONS			APPR: KJANOTA	2010/03/16	
THIRD ANGLE PROJECTION		DRAWING		SERIES	MATERIAL NUMBER
		D-SIZE		73927	SEE TABLE
				CUSTOMER	SHEET NUMBER
				GENERAL MARKET	4 OF 5

**molex**

1X2 SFP GANGED CAGE ASSEMBLY PRESS FIT

PRODUCT CUSTOMER DRAWING

DOCUMENT NUMBER: SD-73927-250  
DOC TYPE: PSD  
DOC PART: 001  
REVISION: E

## REVISION HISTORY

DATE	REV	DESCRIPTION
10/27/2003	A	INITIAL RELEASE
10/06/2005	B	ADDED PCB AND BEZEL LAYOUT
12/10/2009	C	ADDED ISO VIEW WITH WELD CALLOUT
05/05/2014	D	1. ADDED 739270254 [SHT 1] 2. ADDED "MM 3D MODEL: TM-74722-000" ON LEFT TOP CORNER [SHT 1] 3. NOTE 5 CHANGED AS "NO RoHS EXEMPTIONS" [SHT 1] 4. REMOVE ALL DIMENSIONS IN INCH [SHT 1 TO 4].
31/05/2018	E	1. OBSOLETE P/N 739270254. [SHEET 1]

THIS DRAWING CONTAINS INFORMATION THAT IS PROPRIETARY TO MOLEX ELECTRONIC TECHNOLOGIES, LLC AND SHOULD NOT BE USED WITHOUT WRITTEN PERMISSION									
DIMENSION UNITS	SCALE	CURRENT REV DESC:			<b>molex</b>				
<b>MM</b>	<b>1:1</b>								
GENERAL TOLERANCES (UNLESS SPECIFIED)				EC NO: 620216			1X2 SFP GANGED CAGE ASSEMBLY PRESS FIT		
	MM	INCH	DRWN: AKUMAR19      2018/05/31						
4 PLACES	±	±	CHK'D: GGA      2019/07/09			PRODUCT CUSTOMER DRAWING			
3 PLACES	±	±	APPR: GGA      2019/07/09						
2 PLACES	±	0.13 ±	INITIAL REVISION:			DOCUMENT NUMBER			
1 PLACE	±	0.25 ±							
0 PLACES	±	±	DRWN: KSIMONSO      2003/09/25			<b>SD-73927-250</b>			
ANGULAR TOL    ± 1.0 °			APPR: KJANOTA      2010/03/16						DOC TYPE
DRAFT WHERE APPLICABLE MUST REMAIN WITHIN DIMENSIONS			THIRD ANGLE PROJECTION		DRAWING	SERIES	MATERIAL NUMBER	CUSTOMER	SHEET NUMBER
					<b>D-SIZE</b>	<b>73927</b>	SEE TABLE	GENERAL MARKET	<b>5 OF 5</b>